



Protective covers for SFP sockets ACC-PC-SFP

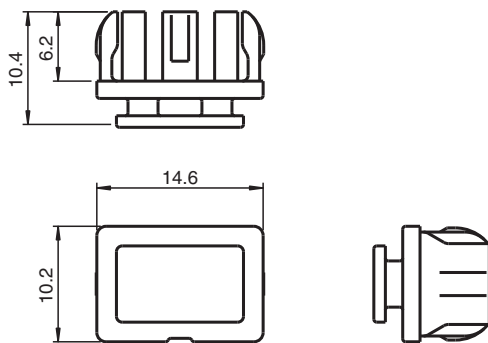
- Protective covers for SFP sockets

Protective covers for SFP sockets (packaging unit: 10 pieces)

Function

Components used to protect unused SFP sockets against dust or unintentional harm.

Dimensions



Technical Data

Mechanical specifications

Material	Polycarbonate
Dimensions	14 mm x 10 mm x 6 mm

General information

Supplementary information	Observe the certificates, declarations of conformity, instruction manuals, and manuals where applicable. For information see www.pepperl-fuchs.com .
---------------------------	---