

BCI-Motor

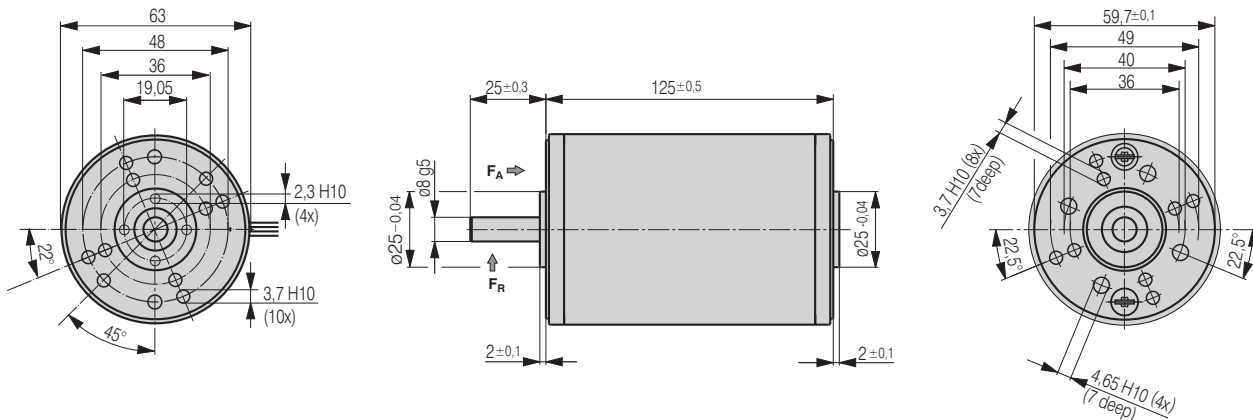
BCI 63.55



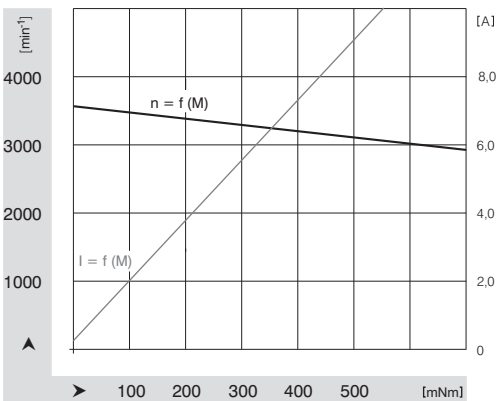
- DC motor with ferrite permanent magnets.
- Mechanical commutation through 12-piece collector.
- Closed steel motor housing with zinc diecast bearing flanges.
- Operation in both directions of rotation.
- Service life 3.000 hrs for continuous operation (S1).
- Insulation class B.
- Protection class IP 40, optionally higher.

Nominal Data

Type BCI 63.55		12 V DC	24 V DC	40 V DC	60 V DC
Nominal speed	min ⁻¹	3000	3300	3300	3300
Nominal torque	mNm	270	270	270	270
Nominal output power	W	85	93	93	93
Nominal current	A	6.8	4.9	2.95	1.95
Nominal efficiency approx.	%	79	79	79	79
Free-running speed	min ⁻¹	3600	3600	3600	3600
Free-running current	A	1.1	0.5	0.3	0.2
Starting torque	mNm	1900	2550	2900	3100
Starting current	A	63.0	40.0	28.8	19.7
Rotor moment of inertia	gcm ²	750	750	750	750
Mass	kg	1.7	1.7	1.7	1.7
Order No.		931 6355 002	931 6355 001	931 6355 004	931 6355 003



Motor curves for 24 V



Max. permissible shaft load

F_A – axial load 150 N
 F_R – radial load 150 N, 20 mm from motor flange

Blind holes for self threading screws according to DIN 7500

Electrical connection

Direction of rotation, clockwise as viewed onto the drive shaft
 Cable length 300 ± 30 from motor
 Cable length 7 ± 2 stripped and tin-coated

