

Star Grips • DIN 6336 cast iron  
24650.0063



Product Description

These star grips are manufactured according to DIN 6336. Sandblasted or tumbled.

Material

Handle

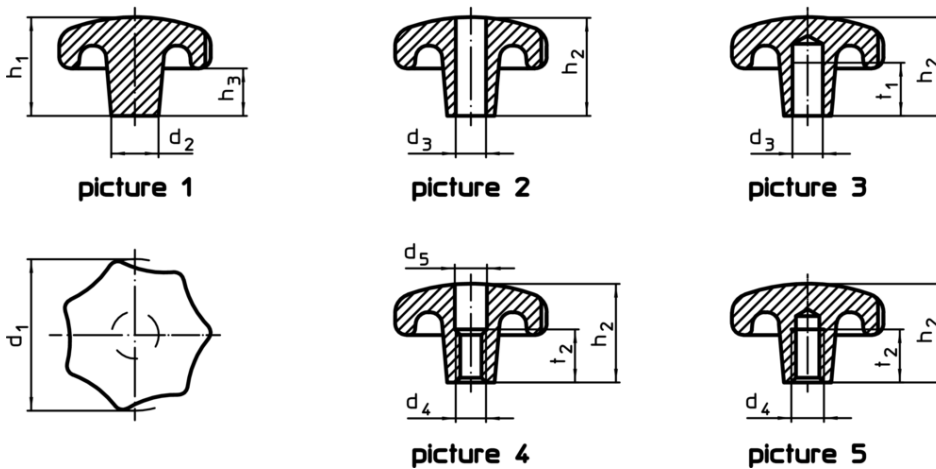
- Grey cast iron GG 20, bright

More information

Notes

Grips with different bores or surface treatment can be obtained on request.

Drawing



Order information

d <sub>1</sub>	Dimensions				[g]	Art. No.
	d <sub>2</sub>	h <sub>1</sub>	h <sub>3</sub>	[mm]		
raw part, form A – picture 1						
63	20	42	21		314	24650.0063

Compliance

RoHS compliant

Compliant according to Directive 2011/65/EU and Directive 2015/863

Does not contain SVHC substances

No SVHC substances with more than 0.1% w/w contained - SVHC list [REACH] as of 10.06.2022

Does not contain Proposition 65 substances

No Proposition 65 substances included

<https://www.P65Warnings.ca.gov/>

Free from Conflict Minerals

This product does not contain any substances designated as "conflict minerals" such as tantalum, tin, gold or tungsten from the Democratic Republic of Congo or adjacent countries.