

Star Grips • DIN 6336 light metal
24660.0440

Product Description

These star grips are manufactured according to DIN 6336.

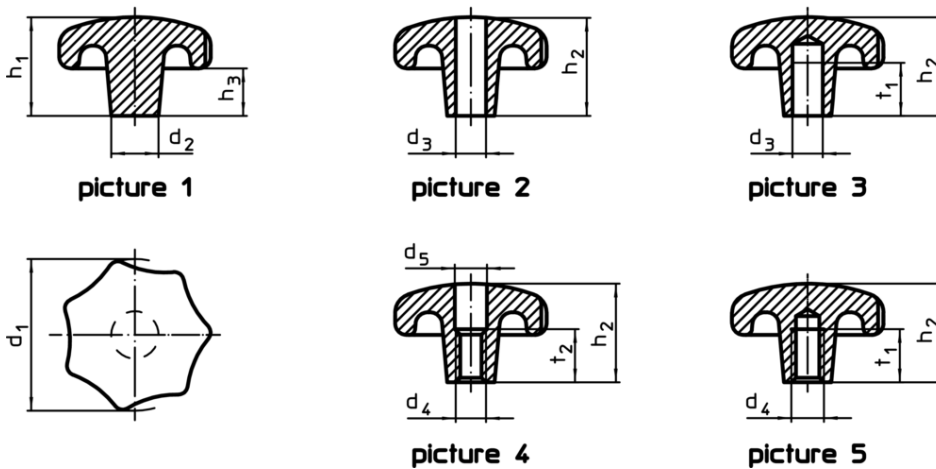
Material

Handle

- Light metal Al, unpolished



Drawing



Order information

Dimensions					[g]	Art. No.
d ₁	d ₂	d ₄	h ₂	t ₁ min.		
[mm]						
with threaded blind hole, form E – picture 5, unpolished						
40	14	M8	25	15	33	24660.0440

Compliance

RoHS compliant

Contains lead - compliant according to exceptions 6a / 6b / 6c

Contains SVHC substances >0,1% w/w

Contains lead - SVHC list [REACH] as of 10.06.2022

Contains Proposition 65 substances



Lead can cause cancer and reproductive harm from exposure
<https://www.P65Warnings.ca.gov/>

Free from Conflict Minerals

This product does not contain any substances designated as "conflict minerals" such as tantalum, tin, gold or tungsten from the Democratic Republic of Congo or adjacent countries.