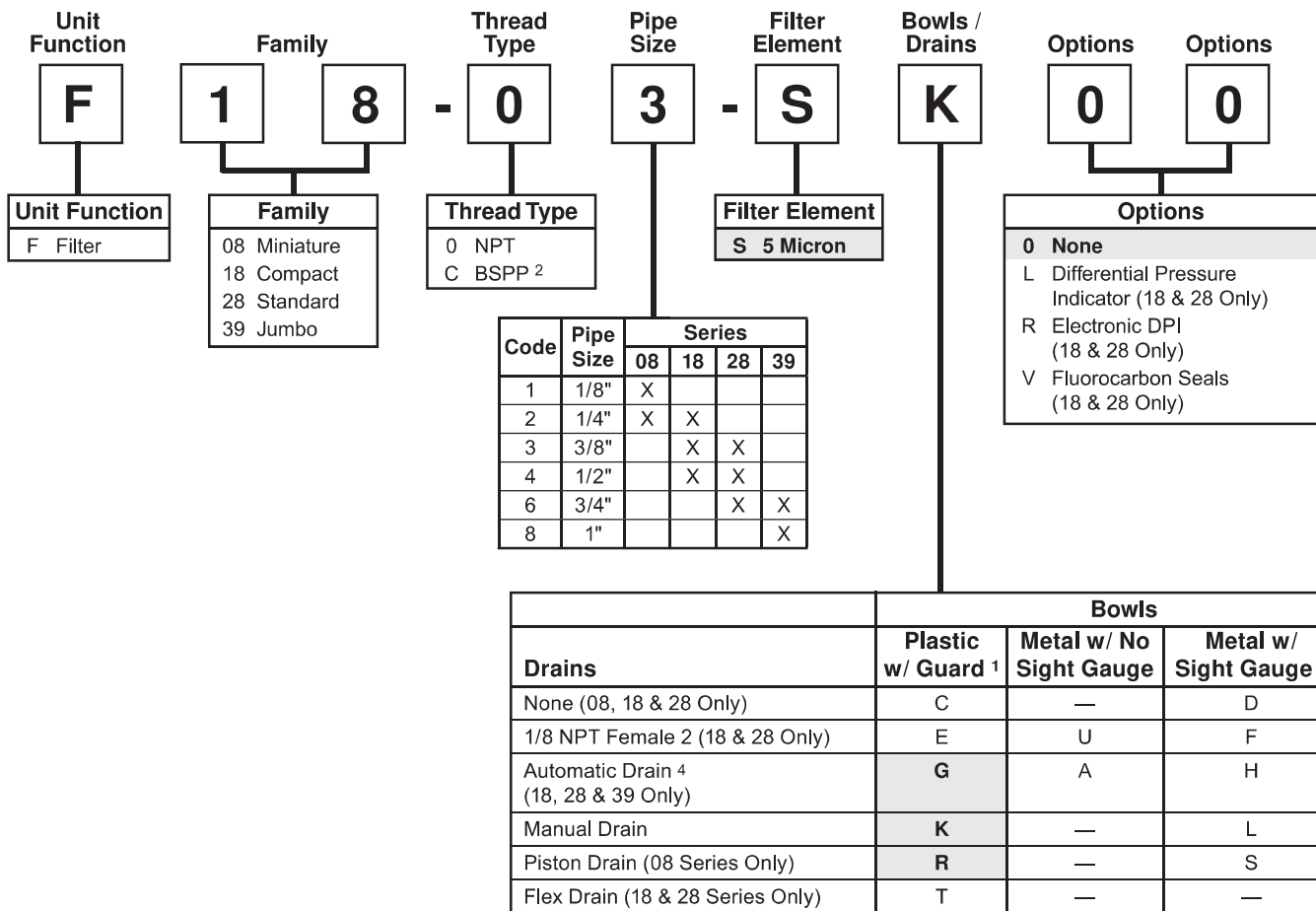


Particulate Filter Numbering System = "Most Popular"

B



1 Not available on 39 Series.

2 ISO, R228 (G Series).

3 F08 Filter has an all Metal Bowl (No Sight Gauge).

4 Operating Range 15 to 250 PSIG (1 to 17 bar).

"F" Series Filters, Type "A" 5 micron elements: All Wilkerson Type "A" 5 micron elements **meet or exceed ISO** Class 3 for maximum particle size and concentration of solid contaminants.

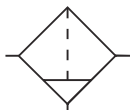
NOTE: All classes above refer to International Standards Organization (ISO) standard 8573-1, pertaining to maximum particle size and concentration of solid contaminants, and maximum oil content.

Note: When selecting from the options columns, please enter letters in alphabetical order for positions 7, 8, and 9.
For example:

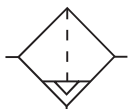
F 1 8 - 0 3 - S K 0 0

Particulate Filter

F39



Manual Drain



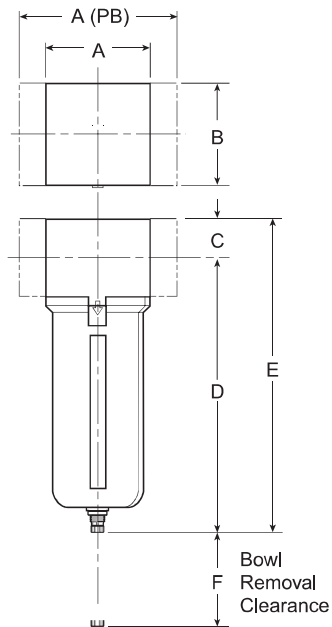
Auto Drain



F39-08-SL00

Features

- Standard 5 Micron Filtration
- High Flow Capacities
- 3/4" and 1" NPT Ports
- Port Blocks for BSPP Thread and 1-1/2" Ports
- Quick-disconnect Bowl



Dimensions

Models	Inches (mm)	A	A(PB)	B	C	D†	E†	F
Standard Unit F39-XX-SL00		3.62 (92)	5.91 (150)	3.62 (92)	1.38 (35)	9.57 (243)	10.95 (278)	4.92 (125)

† With Manual Drain or Internal Auto Drain

= "Most Popular"

Specifications

Flow Capacity*	3/4 1	270 SCFM (127 dm ³ /s) 280 SCFM (132 dm ³ /s)
Maximum Supply Pressure	250 PSIG (17 bar)	
Operating Temperature	32° to 175°F (0° to 80°C)	
Port Size	NPT	3/4, 1
Standard Filtration	5 Micron	
Weight	3.5 lb. (1.6 kg)	

* Inlet pressure 100 PSIG (6.9 bar). Pressure drop 5 PSID (0.3 bar).

"F" Series Filters, Type "A" 5 micron elements: All Wilkerson Type "A" 5 micron elements meet or exceed ISO Class 3 for maximum particle size and concentration of solid contaminants.

Materials of Construction

Baffle	Plastic
Body	Aluminum
Bowls	Aluminum
Deflector	Plastic
Filter Element	Sintered Polyethylene
Seals	Nitrile
Sight Gauge	Polyamide (Nylon)

= "Most Popular"

Replacement Bowl Kits

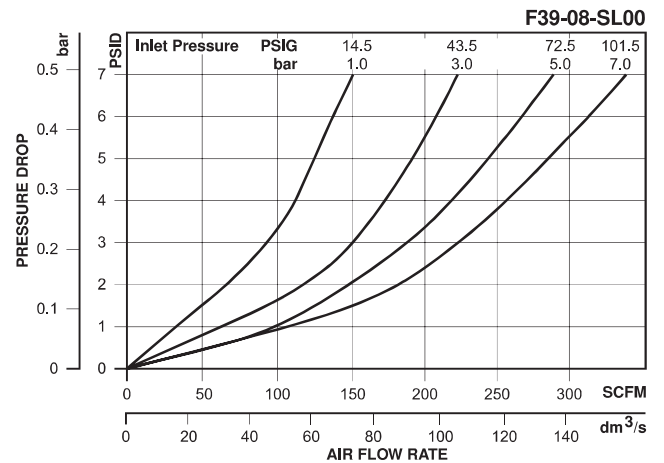
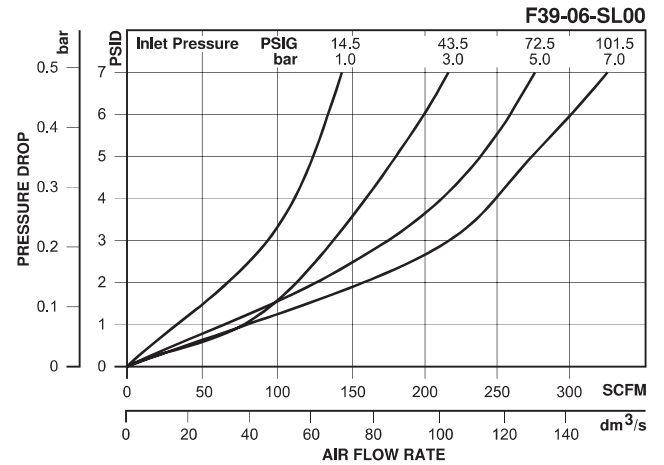
- Metal Bowl –
- Sight Gauge / Internal Auto Drain..... P3NKA00BSA
- Sight Gauge / Manual Drain.....P3NKA00BSM

Replacement Element Kits

- 40 Micron P3NKA00ESG
- 5 Micron P3NKA00ESE
- Activated Carbon..... P3NKA00ESA

Accessories

- Bowl Latch Kit C11A33
- Drain Kits –
- Internal Auto DrainPS506
- Manual Drain PS512
- Mounting Bracket Kit P3NKA00MW
- Sight Gauge KitP3NKA00PE



B

Ordering Information

Model Type	Port Size	Metal Bowl / Sight Gauge
Manual Drain	3/4	F39-06-SL00
	1	F39-08-SL00
Automatic Drain	3/4	F39-06-SH00
	1	F39-08-SH00

Options - To order an option supplied with the unit model, add the appropriate coded suffix letter in the designated position of the model number.