

# PT46X4 Series Pressure Sensors With SIL2

*SIL2 AND PL 'c' RATING WITH LOCAL AND  
REMOTE REZEROING CAPABILITY*



## Description

The PT46X4 Series pressure sensor is a  $\pm 0.5\%$  sensor ideal for general melt pressure measurements requiring simple installation, repeatability and reliability. The PT46x4 sensor provides the industry standard 4-20 mA amplified signal designed to work with DCS and PLCs. The PT46X4 comes equipped with adjustable zero and span side-mounted potentiometers. PT46X4 Series mA sensors can be rezeroed in two ways: locally via the zero potentiometer, or remotely via shorting two pins together (contact closure). Optional thermocouple or RTD configurations are available to provide melt temperature. The PT46X4 features a 1/2-20 UNF thread for simple and easy installation in standard transducer mounting holes. The 4-20 mA output signal is rated PL 'c' as described in the Machinery Directive EN ISO 13849-1. The PT46X4 Series mA sensors are self-certified

## Features

- Adjustable zero and span, via side-mounted pots
- Accuracy better than  $\pm 0.5\%$
- DyMax® coated stainless steel wetted parts
- 4-20 mA output
- 0-500 to 0-30,000 psi
- Internal 80% shunt calibration
- 3rd-party agency analysis (exida™) and self-certified based on FMEDA analysis and internal audit
- Output signal meets Performance Level 'c' as defined by the Machinery Directive (Category 1)
- Meets the following compliance directives, when properly installed and used:
  - SIL2
  - Machinery Directive EN ISO 13849-1

based on the evaluation reports of the respected third-party agency, exida™. The PT46X4 Series mA sensors have undergone extensive FMEDA analysis (Failure Mode Effects and Diagnostic Analysis). The FMEDA reports show that these sensors have been evaluated for random failure requirements and meet Performance Level 'c' (PL 'c') as well as SIL2 (Safety Integrity Level 2). The information in the FMEDA report can be used by the customer's system designer as part of the overall qualification of the device in the system for PL 'c' or SIL compliance. The PT46X4 Series can be equipped with a safety relay, separate from the signal output. Called Guardian, this optional relay signal has an application specific pressure threshold setting that will place a machine in a safe mode as described in the Machinery Directive EN ISO 13849-1.

Performance Characteristics	
Output:	4-20 mA
Input Voltage:	14-36 Vdc
Accuracy:	±0.5% FSO combined error (Including Linearity, Repeatability & Hysteresis)
Repeatability:	±0.2% FSO
Configuration:	Four-arm bonded foil Wheatstone bridge strain gage
Load Resistance:	0-1,100 Ohms
Over Pressure:	2x FSO or 35,000 psi (whichever is less)
Internal Shunt Calibration (R-Cal):	80% FSO ±0.5%
Insulation Resistance:	1,000MΩ @ 50 Vdc
MECHANICAL CHARACTERISTICS	
Diaphragm Temp, Max:	750°F (400°C)
Zero Shift (temp chg):	25 psi/100°F Typical (45 psi/100°C)
Electronics Operating Temp:	-20° to 185°F (-29° to 85°C)
Zero Shift (temp chg):	±0.05% FS/°F max (±0.10% FS/°C max)
Mounting Torque:	500 inch/lbs. max
Standard Wetted Parts:	DyMax® coated 15-5 PH SST

APPROVALS & SELF CERTIFICATIONS	
CE:	Directive 2004/108/EC
PL'c':	EN ISO 13849-1 meeting the performance requirements of a safety-related part of a control system for Performance Level 'c' (PL'c') safety system when installed per Category 1
SIL2 :	Safety Integrity Level 2



©2016. Dynisco reserves the right to make changes without notice.  
Refer to [www.dynisco.com](http://www.dynisco.com) for access to Operator Manual and other support documentation.  
DDS276102\_DS091114

[www.dynisco.com](http://www.dynisco.com)

#### Dynisco

38 Forge Parkway  
Franklin, MA 02038  
USA

Hotline 1-800-Dynisco  
www.dynisco.com  
Phone +1 508 541 9400  
Fax +1 508 541 6206  
Email infoinst@dynisco.com

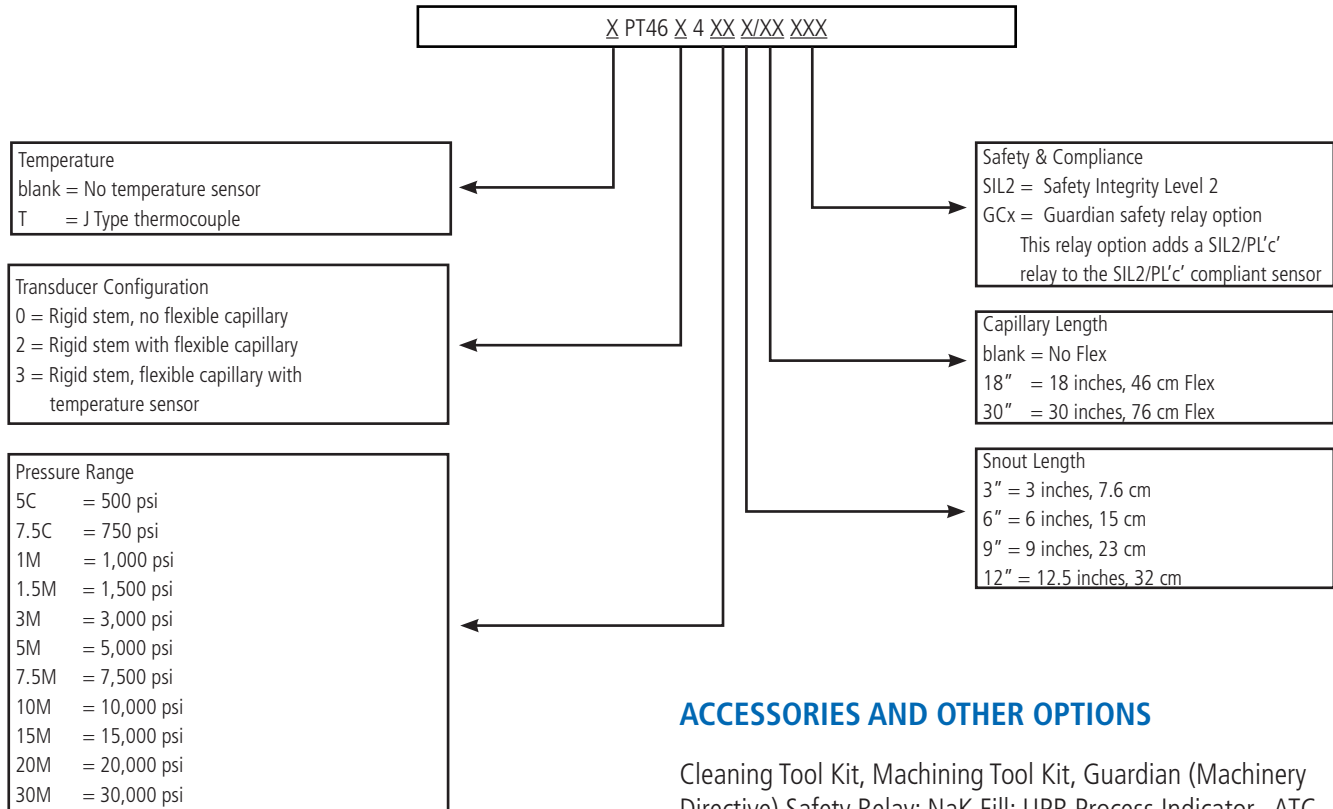
#### Dynisco Europe, GmbH

Pfaffemstr. 21 Phone +49 7131 297 0  
74078 Hellbronn Fax +49 7131 297 166  
Germany Email dyniscoeurope@dynisco.com

#### Dynisco Shanghai

Building 7A, No. 568 Phone +86 21 34074072-819  
Longpan Rd Malu Toll Free +86 400 728 9117  
Jiading, 201801 China Fax +86 21 34074025

## Ordering Guide for PT46X4 Series



### ACCESSORIES AND OTHER OPTIONS

Cleaning Tool Kit, Machining Tool Kit, Guardian (Machinery Directive) Safety Relay; NaK Fill; UPR Process Indicator, ATC Process Controller. For additional options please contact the factory.

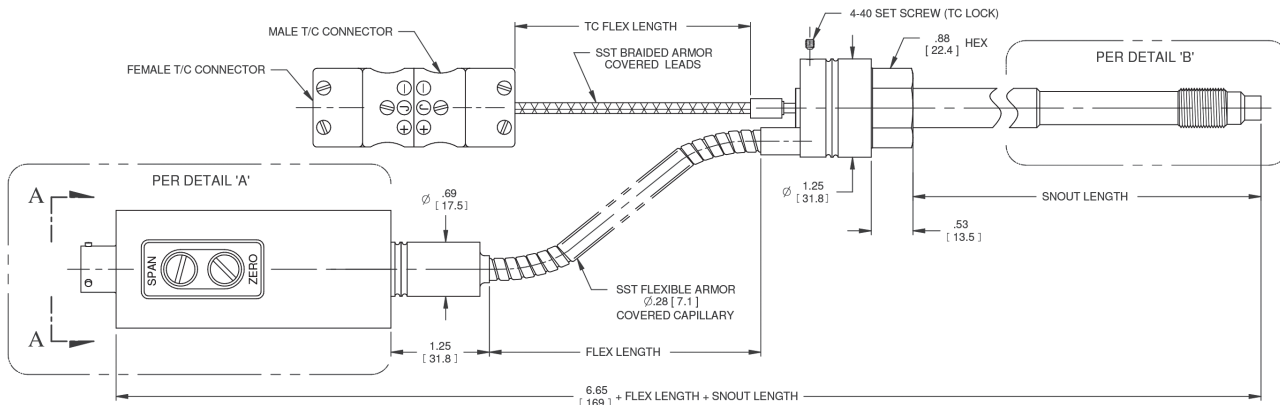
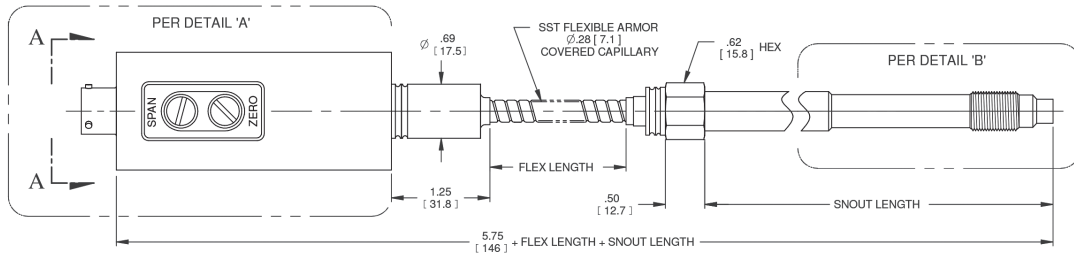
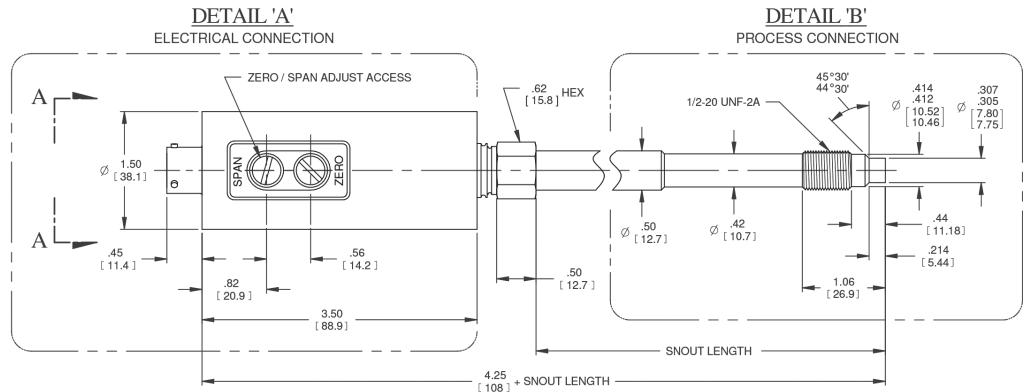
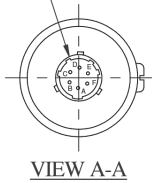
Standard mating connector Dynisco P/N 711600 or 6-pin mating connector cable assembly. Accuracy may be affected if non-standard configurations are used. For additional options please consult factory.

# Dimensions

CONNECTOR WIRING	
PIN	FUNCTION
A	SIGNAL + / EXCITATION +
B	SIGNAL - / EXCITATION -
C	NO CONNECTION
D	REZERO +
E	RCAL +
F	RCAL - / REZERO -

ZERO AND SPAN ADJUST ACCESS PROTECTED BY SEAL SCREWS

BENDIX CONNECTOR PT02A-10-6P OR EQUIVALENT  
MATING CONNECTOR PT06A-10-6S (SR) OR EQUIVALENT



- NOTES:
1. DIMENSIONS ARE IN INCHES [ MILLIMETERS ].
  2. DIMENSIONS ARE NOMINAL AND FOR REFERENCE ONLY.
  3. NOT ALL CONFIGURATIONS & OPTIONS ARE SHOWN, CONSULT FACTORY.

For Guardian drawings and 8-pin wiring diagrams see "Guardian" at [www.Dynisco.com](http://www.Dynisco.com).

All dimensions are inches (mm) unless otherwise specified.  
©2016. Dynisco reserves the right to make changes without notice.  
Refer to [www.dynisco.com](http://www.dynisco.com) for access to Operator Manual and other support documentation.  
DSPT46X4  
Rev: 1216



[www.dynisco.com](http://www.dynisco.com)

**Dynisco**  
38 Forge Parkway  
Franklin, MA 02038  
USA  
Hotline 1-800-Dynisco  
www.dynisco.com  
Phone +1 508 541 9400  
Fax +1 508 541 6206  
Email [infoinst@dynisco.com](mailto:infoinst@dynisco.com)

**Dynisco Europe, GmbH**  
Pfaffenstr. 21  
74078 Hellbronn  
Germany  
Phone +49 7131 297 0  
Fax +49 7131 297 166  
Email [dyniscoeurope@dynisco.com](mailto:dyniscoeurope@dynisco.com)

**Dynisco Shanghai**  
Building 7A, No. 568  
Longpan Rd Malu  
Jiading, 201801 China  
Phone +86 21 34074072-819  
Toll Free +86 400 728 9117  
Fax +86 21 34074025