

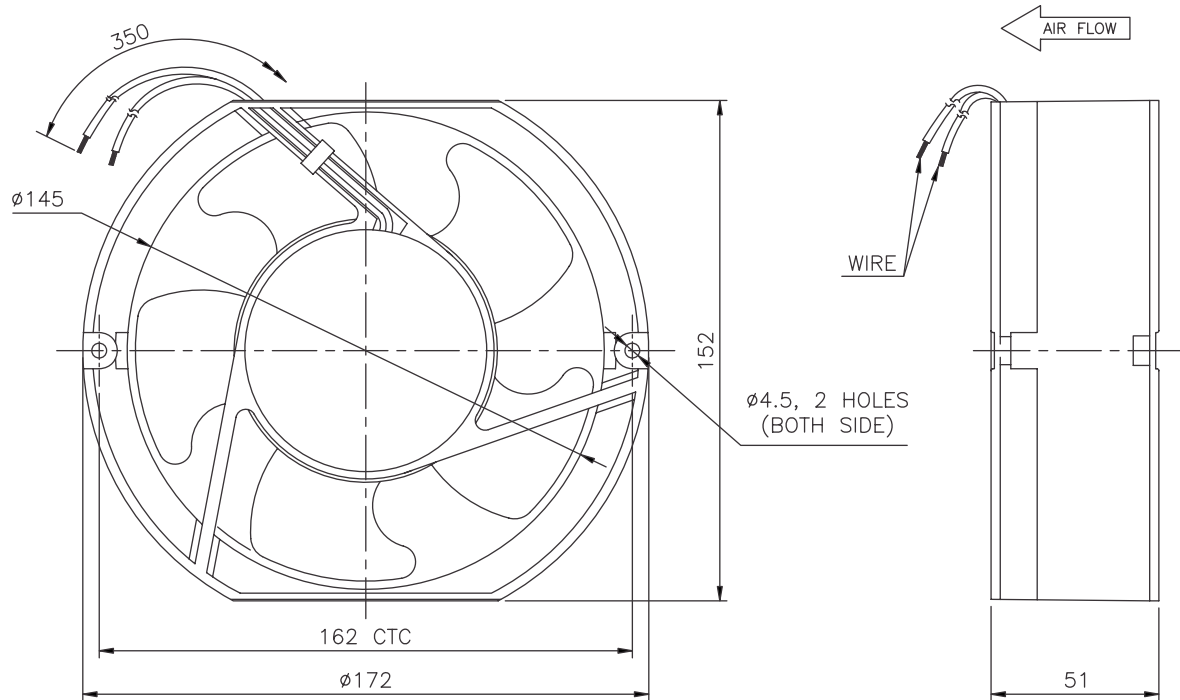
**Ø 172 x 150 x 51 mm**

Motor Design : DC Brushless Motor  
 Housing : Aluminium Die-cast (Painted Black)  
 Impellor : Thermoplastic Nylon 66  
 Bearing : Ball  
 Motor Protection : Reverse Polarity Protected & Locked Rotor  
 Operating Temperature : - 10 to + 70°C  
 Net Weight : 727 Grams



**Specification**

Model	Part Code	Bearing	Voltage	Current	Input Power	Speed	Air Flow	Static Pressure	Noise	Box Packing
REC			V	A	W	RPM	CFM	mm H <sub>2</sub> O	dB(A)	Nos.
17251 B24 W	DC181	Ball	24	0.70	16.8	3400	300	20	55	20
17251 B48 W	DC182	Ball	48	0.35	16.8	3450	300	20	55	20



\* Specifications Subject to Change Without Notice