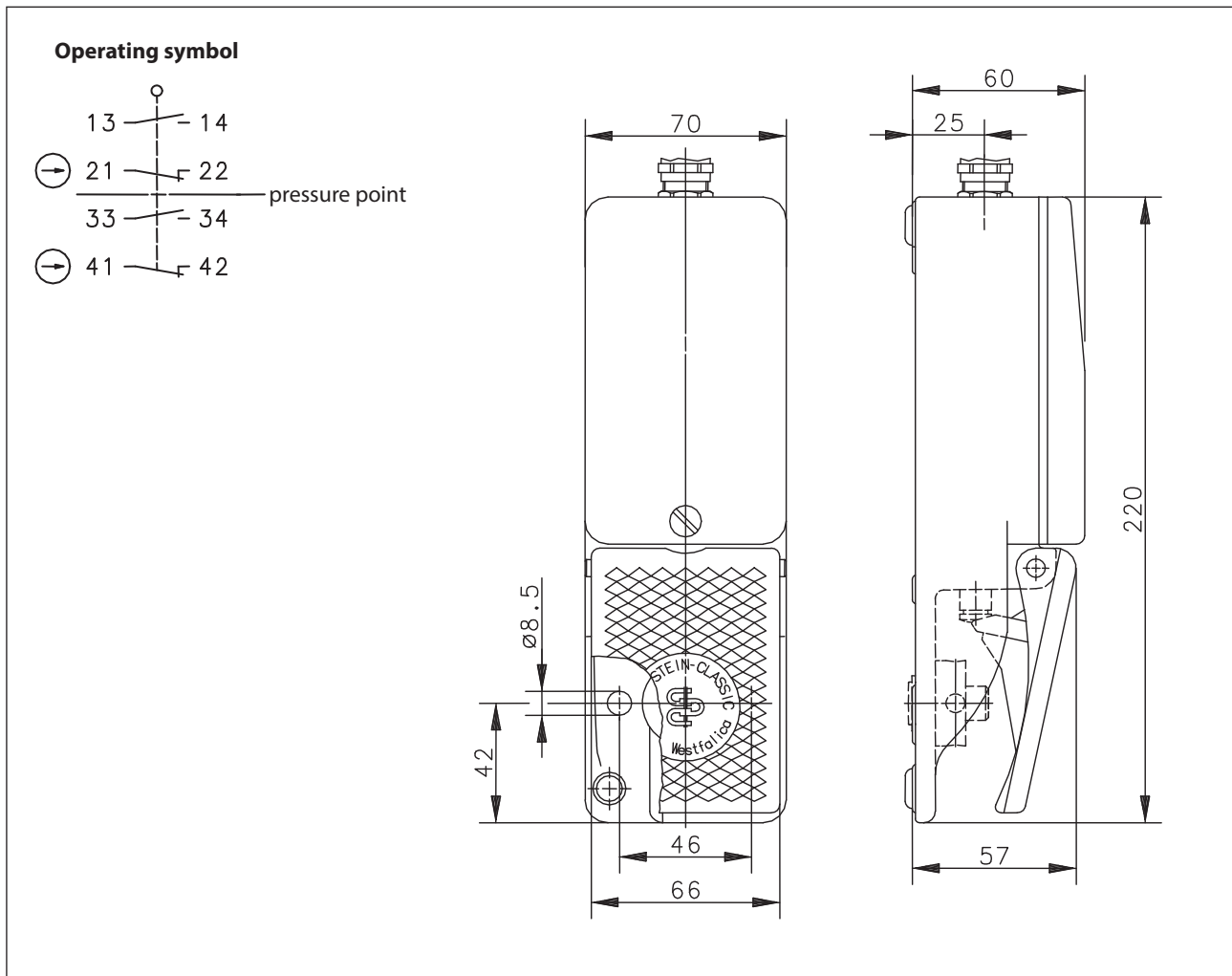


Foot-switch Series F1

Description **F1-SU2ZD**

Article number **6161400493**



Electrical data

Rated insulation voltage	U_i	400 V AC
Conv. thermal current	I_{the}	10 A
Rated operational voltage	U_e	240 V
Utilization category		AC-15, U_e 240 V / I_e 3 A
Direct opening action	\ominus	acc. to IEC/EN 60947-5-1, Annex K
Short-circuit protective device		Fuse 2 A gG
Protection class		I

Mechanical Data	
Enclosure	AL, die-cast
Cover	AL, die-cast
Actuator	Foot lever (PA)
Ambient air temperature	-30 °C ... +80 °C
Contact type	2 N.C. / 2 N.O. (Zb)
Operating force	≈ 10 N (pedal centre)
Pressure point	≈ 30 N
Mechanical life	without actuating the pressure point 10 x 10 ⁶ switching cycles with actuating the pressure point 1 x 10 ⁶ switching cycles
Switching frequency	≤ 50/min
Assembly	2 x M8
Connection	screw terminals (M3,5)
Number of connections	8 (see operating symbol)
Protection ground	2 x M4
Conductor cross-sections	Solid: 0,5 – 1,5 mm ² Litz wire with or without ferrules: 0,5 – 1,5 mm ²
Cable entry size	1 x cable gland M20 x 1,5 with install bend protection (clamping range 5-10 mm)
Weight including cover	≈ 0,8 kg
Protection type	IP 65 acc. to IEC/EN 60529

ID for safety engineering	
B10d	20 x 10 ⁶ switching cycles

Standards	
	VDE 0660 T100, DIN EN 60947-1, IEC 60947-1
	VDE 0660 T200, DIN EN 60947-5-1, IEC 60947-5-1
	DIN EN ISO 13849-1

EU Conformity	
	acc. to directive 2006 / 95 / EC

Notes	
The specified protection classification (IP code) applies only when the cover is closed and the appropriate cable is used, in accordance with the clamping range of the above mentioned cable gland.	