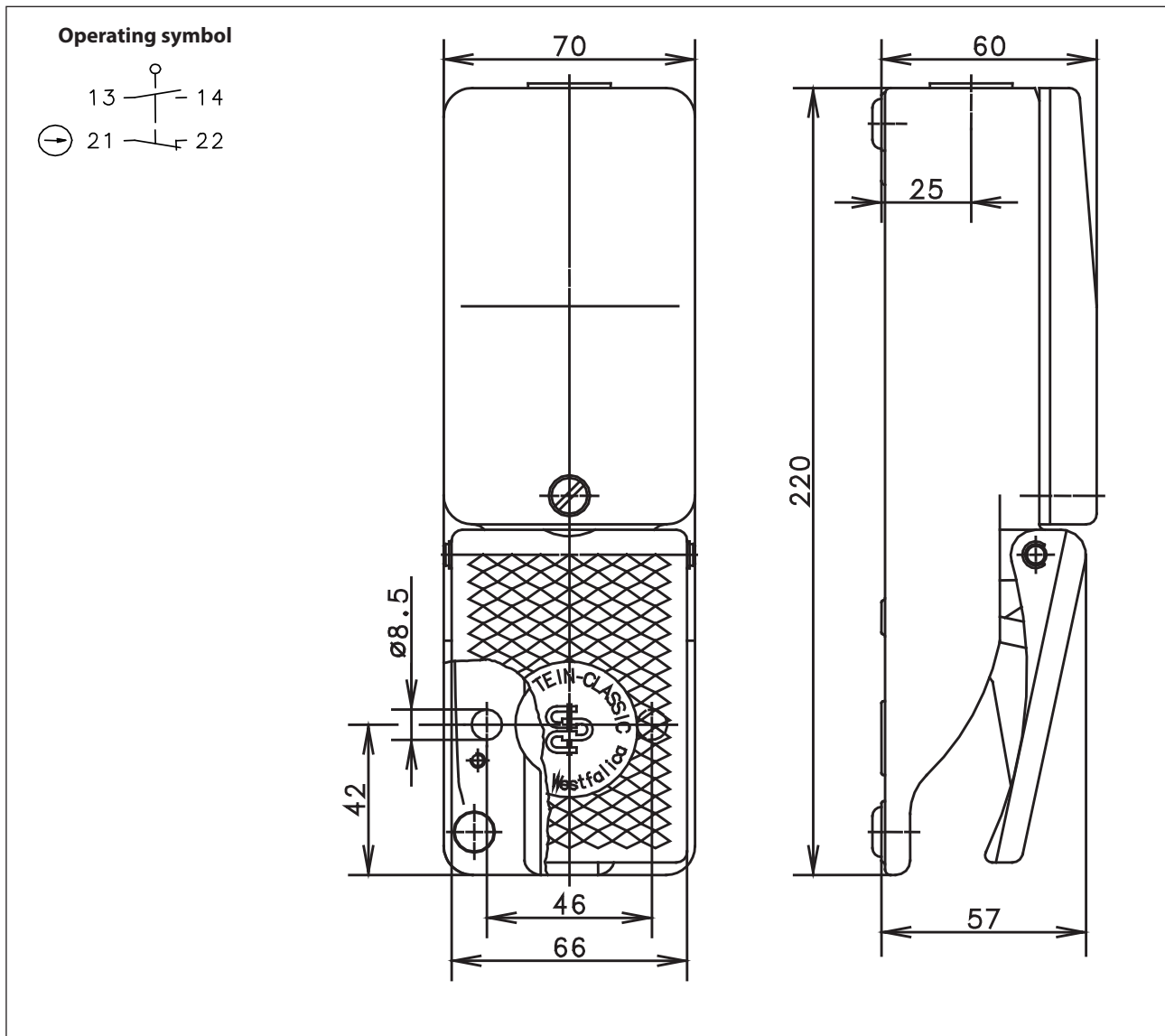


Foot-switch
Series F1

Description **F1-SU1Z**

Article number **6161300341**



Electrical data		
Rated insulation voltage	U_i	400 V AC
Conv. thermal current	I_{the}	10 A
Rated operational voltage	U_e	240 V
Utilization category		AC-15, U_e/I_e 240 V, 3 A
Direct opening action	\ominus	acc. to IEC/EN 60947-5-1, Annex K (pedal stop)
Short-circuit protective device		Fuse 2 A gG
Protection class		I

Mechanical Data	
Enclosure	Die-cast aluminium RAL 9005
Cover	Die-cast aluminium RAL 9002
Actuator	Foot lever (PA)
Ambient air temperature	-30 °C ... +80 °C
Contact type	1 N.C., 1 N.O. (Zb)
Contacts	fine gold-plated (Our guideline values are valid for the gold-plated switch contacts.)
Operating force	≈ 10 N (pedal centre)
Mechanical life	10 x 10 ⁶ switching cycles
Switching frequency	≤ 50/min
Assembly	2 x M8
Connection	screw terminals (M3,5)
Number of connections	4 (see switching symbols)
Protection ground	2 x M4
Conductor cross-sections	Solid: 0,5 – 1,5 mm ² Wire with ferrules: 0,5 – 1,5 mm ²
Cable entrance	1 x M20 x 1,5
Weight	≈ 0,6 kg
Protection type	IP 67 acc. to IEC/EN 60529

ID for safety engineering	
B10d	20 x 10 ⁶ cycles

Regulations	
	VDE 0660 T100, DIN EN 60947-1, IEC 60947-1
	VDE 0660 T200, DIN EN 60947-5-1, IEC 60947-5-1
	DIN EN ISO 13849-1

EU Conformity	
	acc. to directive 2006/42/EC

Approvals	
	CCC
	cCSAus A300 (same polarity)

Notes	
The degree of protection (IP code) specified applies only to a properly closed cover and in connection with the appropriate cable glands.	