

Operating principle



ROSTFREI Rost frei
Inox
Stainless
Steel

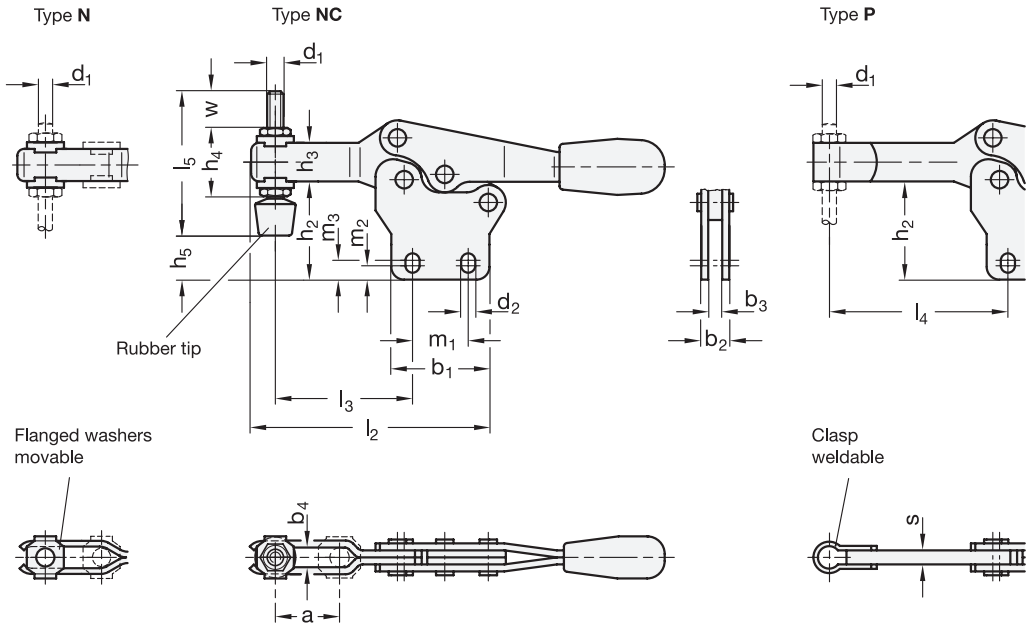
2 Type

- N** U-bar version, with two flanged washers
- NC** U-bar version, with two flanged washers and clamping screw GN 708.1
- P** Solid bar version, with clasp

1

Size	Steel	Stainless Steel	F _H in N	Holding capacity	a ≈	b ₁	b ₂	b ₃	b ₄	d ₁	d ₂	h ₁ ≈	h ₂	h ₃	h ₄	h ₅ max.
75	75	75	900		20	28	8	4	5,5	M 5	4,5	45,5	27,5	11	19	12,5
130	130	130	1000		32	36	10	5	6,5	M 6	5,5	64	44	16	25,5	27,5
230	230	230	1700		37	44	12	6	8,5	M 8	6,5	75	50	18	30	26
355	-	-	1800		58	60	14	7	10,4	M 10	8,5	102	69	22	37	42,5
455	-	-	3200		65	70	18	10	12,4	M 12	8,5	119	80,5	26	43	48

Size	Steel	Stainless Steel	l ₁ ≈	l ₂ ≈	l ₃ ≈	l ₄ max.	l ₅	m ₁	m ₂	m ₃	r ≈	s	w	Adjustable range
75	75	75	118	68	40	49,5	45	13,5	3,5	5	43	4	15	
130	130	130	170	92	53	64	55	26	5,8	8,8	62	5	17,5	
230	230	230	196	109	63,5	78	68	26	6,5	9	73	6	20	
355	-	-	270	161	96	115	77	41	7,5	9,6	110	7	19	
455	-	-	309	186	116	135	100	41,5	11	12,5	128	10	33	



Specification

- Steel
 - Case-hardened steel C10 zinc plated, blue passivated
 - Bearing pins tempered
 - Bearing rivets (for size 355 and up) case-hardened
- Stainless Steel AISI 304
- All moving parts lubricated with special grease
- Hand grip High quality, oil resistant, red plastic
- Clamping screw GN 708.1, type A
 - Steel, zinc plated / Stainless Steel, AISI 304
 - Rubber tip 85 Shore A

• RoHS

Accessory

- Clamping screws → Page 585 ff.
- Holders for clamping screws GN 801 (for type N) → Page 590
- Holders for clamping screws GN 809 (for type P) → Page 591
- Clamping arm extenders GN 801.1 (for type N) → *New products*
- Clamping arm extenders GN 801.2 (for type N) → *New products*
- Clamping arm extenders GN 809.1 (for type P) → *New products*



Information

GN 820.1 horizontal acting toggle clamps work according to the toggle principle: lever and clamping bar move in the opposite direction. They require less space for the clamping action. In the clamped position the operating lever is in its horizontal position.

Toggle clamps in the U-bar version with two flanged washers (type N) can accommodate an application specific clamping screw. A clamping screw with neoprene rubber tip is also included for type NC.

Toggle clamps in type P version can either be utilized by welding the clasp which can then accommodate an application specific hold-down fastener component, or by utilizing the bar in conjunction with the GN 809 holders for clamping screws to hold the work piece in place.

see also...

- General information for toggle clamps → Page 500
- Horizontal acting toggle clamps GN 820 (with horizontal base) → Page 520

How to order (Steel)	1 Size
GN 820.1-355-N	2 Type

How to order (Stainless Steel)	1 Size
GN 820.1-130-P-NI	2 Type
	3 Material

