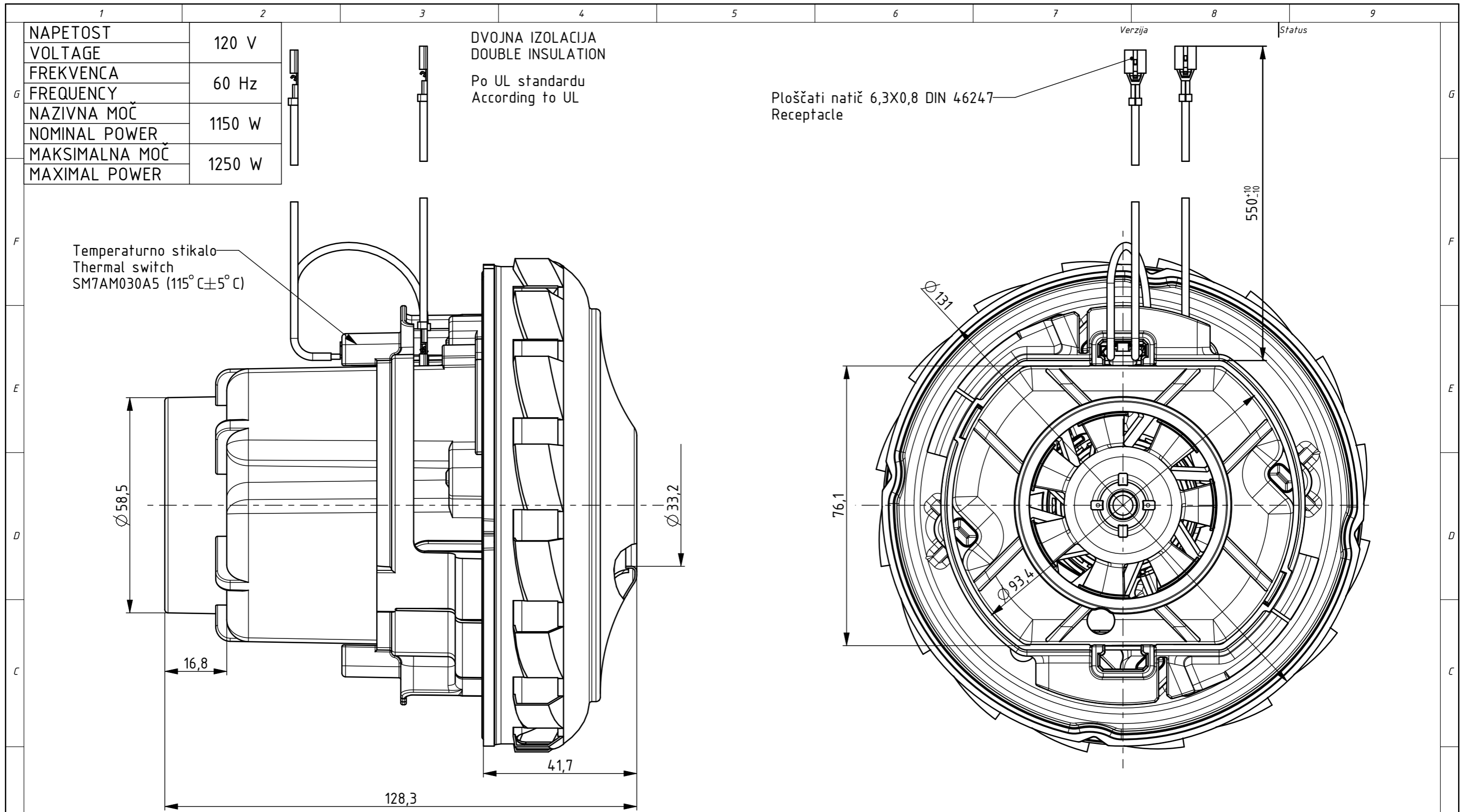


Izdelano s CAD/ProEngineer - ročno spreminjanje ni dovoljeno! Vsak prenos tretjim osebam ali uporaba v nedogovorjene namene ni dovoljena po zakonu o avtorskih pravicah. Made with CAD/ProEngineer - changing is not allowed! Any unauthorized copying of this drawing or unauthorized distribution of the information contained herein is prohibited.



Oznake natisnjene na SE:
Information stamped on VCM:

DOMEL 467.3.411-4	
120 V 60 Hz	
A0	
YYWWD S NNNN	
MADE IN SLOVENIA	

OSNOVNE ZNAČILNOSTI		TYPICAL CHARACTERISTICS	
IZVEDBA	ENOSTOPENJSKA	FAN SYSTEM	SINGLE STAGE
VLEŽAJENJE	DVA KROGLIČNA LEŽAJA	BEARINGS	DUAL BALL
VRSTA PRETOKA	MIMO MOTORJA	DISCHARGE	BY PASS
SMER VR TENJA	DESNA	DIRECTION OF ROTATION	CW

Tolerance odprtih mer Tolerances without individual indications ISO 8015 ISO 2768 - mK		Površinska hrapavost Surface finishing		Merilo Scale 1:2		Original format ISO 5457 - A3	
Datum/Date		Ime/Name		Gradivo / Material			
Izdelal Designed 25.08.16		D. Vrhunc		Naziv Title SESALNA ENOTA VACUUM CLEANER MOTOR			
Pregl. Verified 13.12.16		J. Rihtaršič		Koda Code 467.3.411-4			
A0 12744		13.12.16 D. Vrhunc		DOMEL®		List Sheet 3+	
Ozn. Mark		Št. obvestila Nr. of notice		Datum Date		Ime Name	
				Otoki 21, 4228 Železniki, Slovenija		Stran Page 1	
						46734.11004_SESALNA_ENOTA	