

Features:

- ▣ DC braking with one-way rectification
- ▣ suitable for all asynchronous motors
- ▣ easy mounting, also for retrofitting into existing plants
- ▣ wear-resistant and maintenance-free
- ▣ integrated braking contactor
- ▣ for snap-mounting onto 35mm top-hat-rail
- ▣ degree of protection IP 20



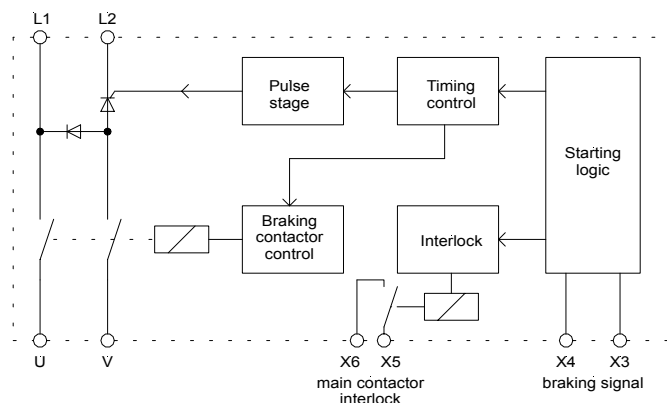
Braking Devices
BR 230-25L
BR 400-25L
CE

Function:

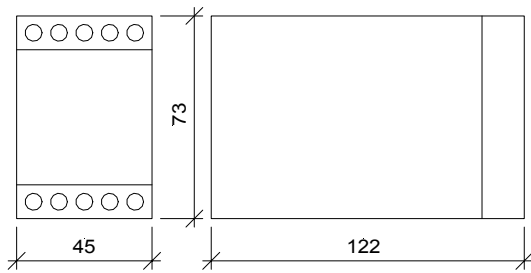
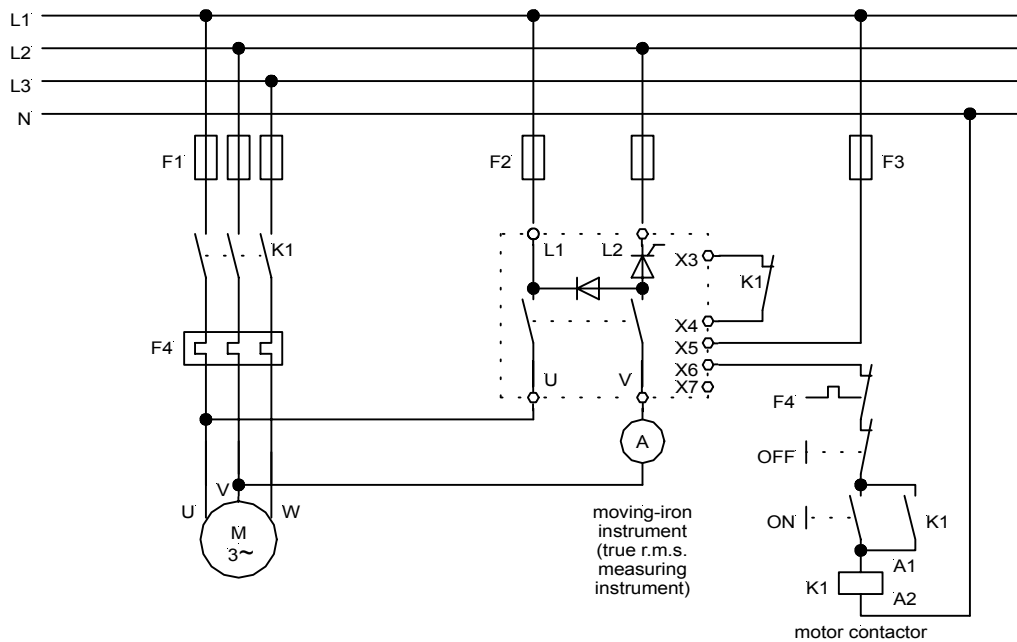
- ▣ DC braking
- ▣ control via motor contactor
- ▣ 2 separately adjustable parameters
braking current, braking time
- ▣ potential-free output for motor contactor
interlocking during braking
- loadable with 250V/6A

Typical Applications:

- sawing machines
- centrifuges
- wood working machines
- textile machines
- conveying systems



Technical Data	BR 230-25L	BR 400-25L
Mains voltage	220/240V ±10% 50/60Hz	380/415V ±10% 50/60Hz
Power draw of the electronics		6 VA
Motor rating	3kW	5,5kW
Rated device current		25A
max. Braking frequency at Braking time 5s		1/min.
Back-up fuse high-speed		25A
Braking voltage	0 ... 110VDC	0 ... 220VDC
Braking time, 4-stage adjustable	5s / 8s / 11s / 14s (other times upon request)	
Contact rating	relay contact for motor contactor = 6A/250V~	
Delay time for reduction of residual e.m.f.	250ms	
min. Cross-sectional area of connection cable	2,5mm ²	
Ambient / Storage temperature	0°C ... 45°C / -25°C ... 75°C	
Weight	0,6kg	
Order number	21801.23025	21801.40025

Dimensions:**Connection Diagram:****EMC**

The limit values for emitted interference according to the applicable device standards do not rule out the possibility that receivers and susceptible electronic devices within a radius of 10m are subjected to interference.

If such interference, that is definitely attributable to the operation of the braking devices "BR", occurs, the emitted interference can be reduced by taking appropriate measures.

Such measures are, e.g.:

to connect reactors (3mH) or a suitable mains filter in series before the soft starter, or to connect X-capacitors (0.15 μ F) in parallel to the supply voltage terminals.