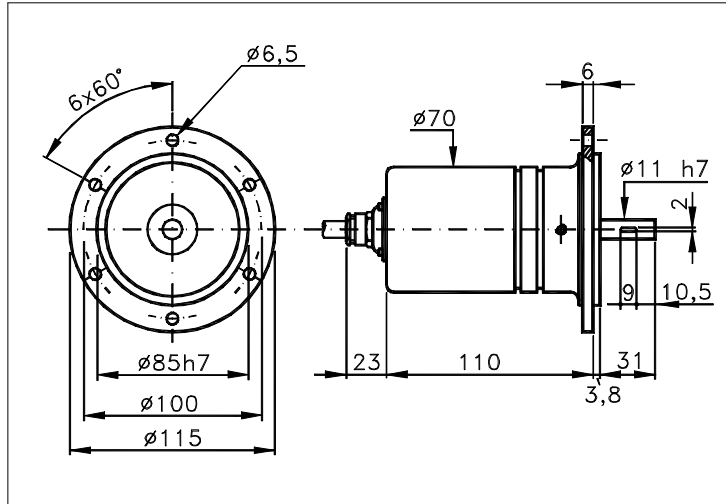


Sized draw standard version: CW Measures without tolerance according to UNI ISO 2768-mk

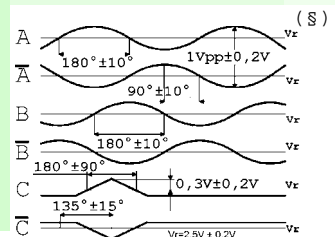
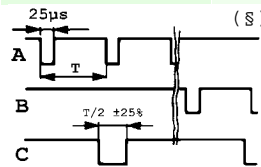
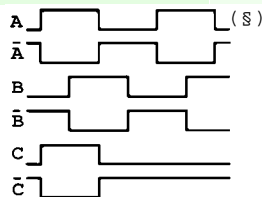
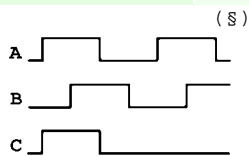


TECHNICAL FEATURES AND POSSIBLE CONFIGURATIONS

- Base.....: ANODIZED ALUMINIUM (*)
- Cover.....: ANODIZED ALUMINIUM (*)
- Weight.....: 850 g
- Shaft.....: Ø 11 STAINLESS STEEL (*)
- Max.rad/axial load.: 25 kg
- IP output side.(°): see 'CONNECTION' of page 2
- IP shaft side..(°)> std. 66 | sealed 67 | low torq. -
- opt. type (page 2)> standard | Z
- Contin. max RPM(**)> 6000 | 3000 | -
- Starting torque gcm> 90 | 150 | -
- (°) IP according to CEI EN 60529, EN 60529, IEC 529
- (*) custom options
- MTTFd (°°).....: HIGH
- Impact resistance....: 50 G x 11ms
- Vibration resistance.: 12 G (10 ÷ 2000 Hz)
- Power supply.....: 5÷30V (see page 2)
- Operating temperature: 0 ÷ 70 °C (*)
- Storage temperature...: -30 ÷ 85 °C
- N° of pulses/rev.....: 1 ÷ 90000
- Max frequency.....: 100 kHz (300 option)
- Max consumptions mA.: std 120 line driver 180 (*)
- (°°) MTTFd according to EN ISO 13849-1
- (**) intermittent max RPM + 30% of continuous max RPM

ELECTRONICS

CODE	DESCRIPTION	mA	CODE	DESCRIPTION	mA	CODE	DESCRIPTION	mA	CODE	DESCRIPTION	mA
	STANDARD NPN	10	N	DRIVER 26LS31	30	D	DISCRIMINAT.	70	Y	SINUSOID.1Vpp	10
K	NPN OPEN COLL	10	T	TTL 7404	10						
Q	NPN	70	Z	DRIVER ET7272	30						
R	NPN OPEN COLL	70	L	2x PUSH-P.PRO	70						
P	PNP	70	M	2x PUSH-PULL	70						
U	PNP OPEN COLL	70									
B	PUSH-PULL PRO	70									
H	PUSH-PULL	70									



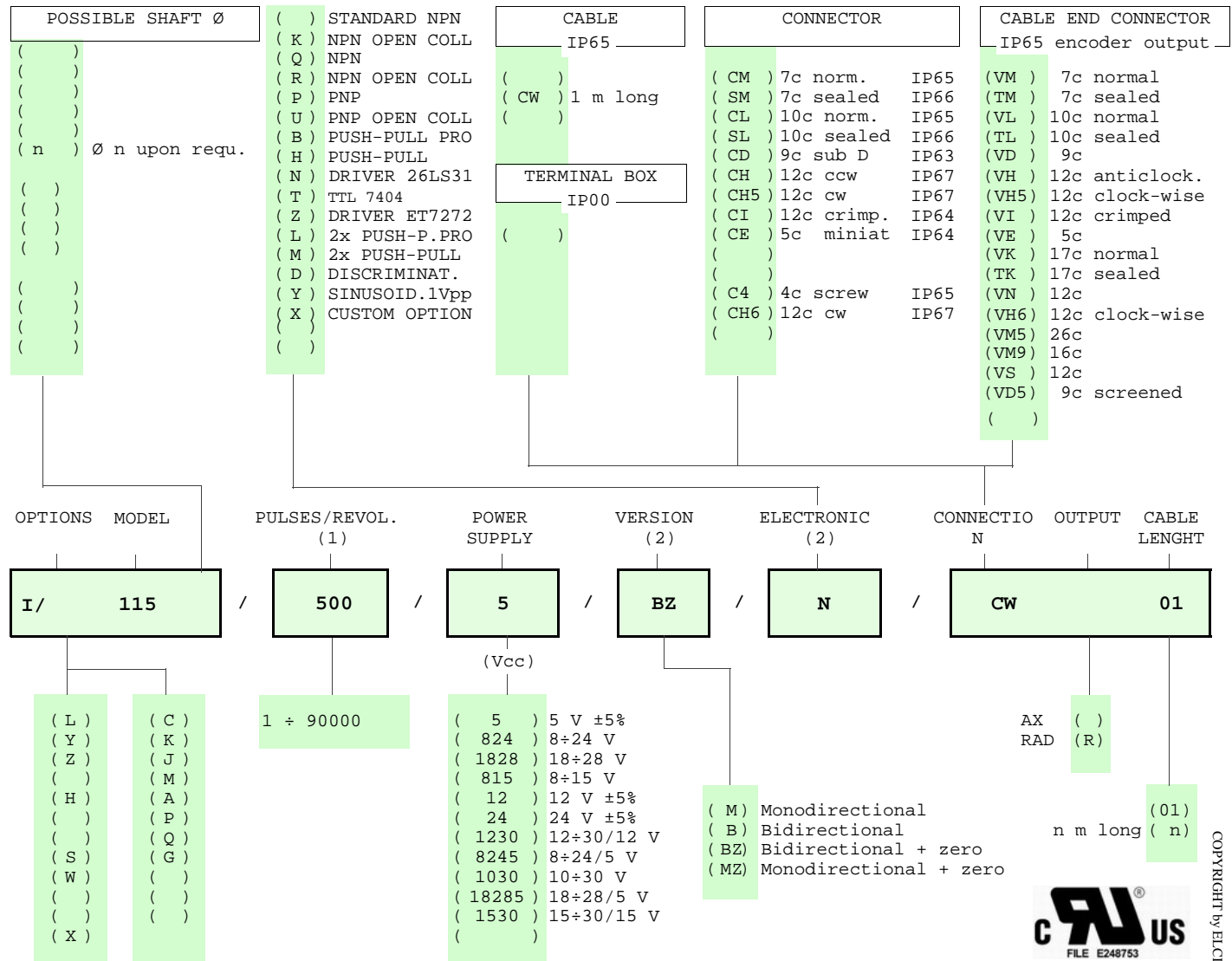
Tolerance between phases ± 25°, symmetry ± 15°

(§) Clock-wise output rotation (see shaft).



POSSIBLE OPTIONS				POSSIBLE CONNECTIONS								
CODE	DESCRIPTION	CODE	DESCRIPTION	CABLE				OUTPUT:				
L	Low temperature	C	Low consumption	CW				AX RAD				
Y	Unbreakable disk	Q	Oil seal	CONNECTOR				OUTPUT:				
Z	Sealed ball bearing	J	Zero logic combination	CM	SM	CL	SL	CD	CH	CH5	CI	AX RAD
H	Different shaft Ø	M	Impregnated electronic	CE			C4	CH6				
S	160 KHz frequency	A	High temperature	CABLE END CONNECTOR				OUTPUT:				
W	300 KHz frequency	P	Compressed air attack	VM	TM	VL	TL	VD	VH	VH5	VI	AX RAD
X	Custom options	K	Invert. phase A,B,Zero.	VE	VK	TK	VN	VH6	VM5	VM9	VS	
G	Tropicalization			VD5								
				TERMINAL BOX				OUTPUT:				

ORDERING INFORMATION



(1) For further information see PULSES/REVOL. data sheet
(2) For further information see ELECTRONIC data sheet
(3) For further information see CONNECTION data sheet

Product manufactured according to UNI EN ISO 9001:2008, supplied with CHECKING and CONFORMITY declaration with CE mark and with TWO (2) YEARS WARRANTY starting from delivery date.



COPYRIGHT by ELCIS - Collegno (TO)

