

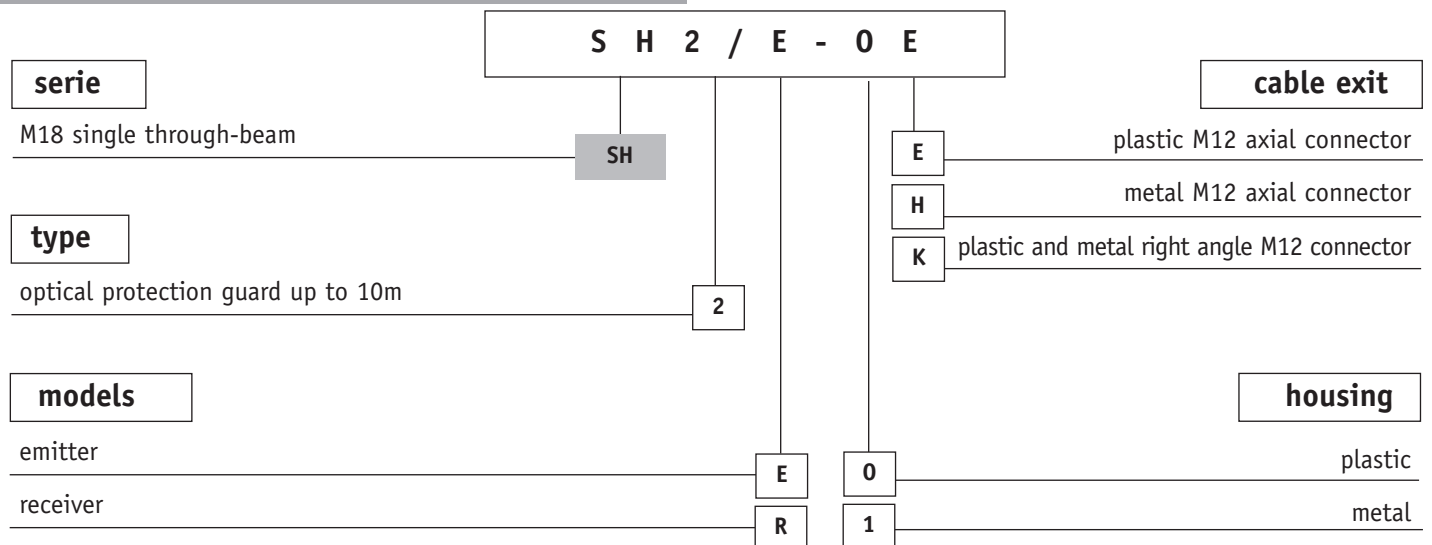
M18 single-beam safety sensors (category 2)

to be used only with the SBCR02 or SBCR03 control units

- 1 model for optical protection (SH2)
- Sensing range up to 10m
- EN61496 standard certification as a category 2 device
- LED indicators available on all models



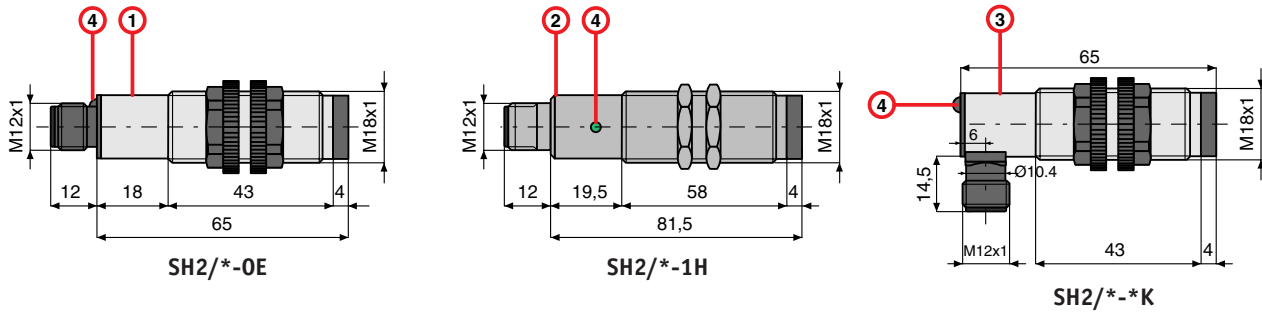
Ordering system



Specifications

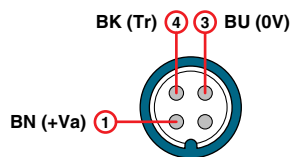
Model	SH2
Type	M18 optical protection
Nominal distance	10m (margin = 4)
Minimum detectable target	Ø15mm
Emission	red
Angular width of the beam	±4°
Operating voltage	10...30Vdc
No-load supply protection	50mA(emitters); 25mA(receivers)
Electrical supply protections	polarity reversal
Electrical output protections	overvoltage, overload and short circuit
Protection degree	IP67
Temperature range	-25°...+60°C
Storage temperature	-25°...+75°C
Ambient humidity	15% ... 95% (without condensation)
Housing material	polyamide (plastic); nickel-plated brass (metal)
Optic's material	PMMA
Tightening torque	5Nm (plastic); 40Nm (metal)
Weight (approx.)	2x30g (plastic); 2x75g (metal)

Dimensions

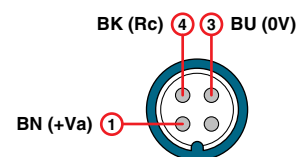


1. Plastic M12 axial connector output
2. Metal M12 axial connector output
3. Plastic and metal M12 right-angle connector output
4. Green LED (emission: SH2/E)
Yellow LED (light: SH2/R)

Wiring diagrams



M12 male connector for E, H, K output emitters



M12 male connector for E, H, K output receivers