

# OIL DISPENSER TYPE ETR 10490/MTR 2-10

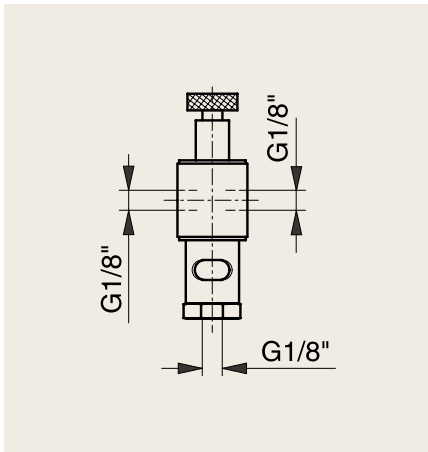
## Stained brass

Oil dispensers type ETR and MTR are used throughout machine construction but especially in conveyor and transportation plants. In combination with our manually (MOS) and electrically (EOS) controlled oil applicators, automatic lubrication plants can be configured for practically any usage scenario. The connection of multiple ETR oil dispensers in series enables multiple lubricating points to be provided with lubricant at one time.

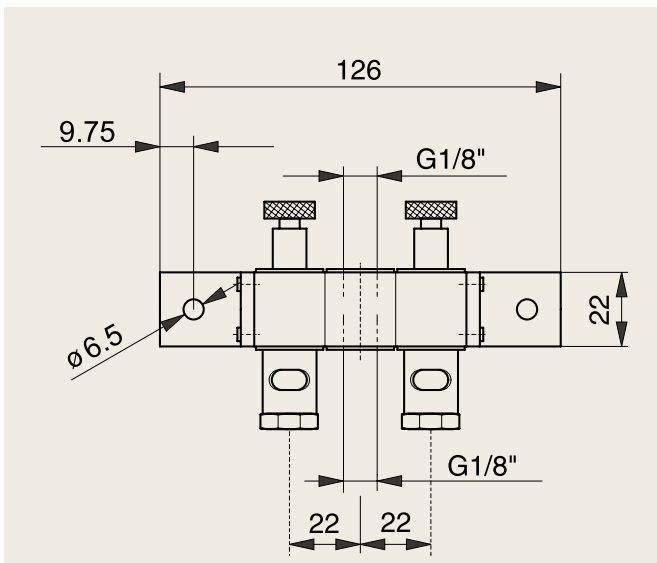
### TYPE MTR

- Batteries of multiple oil dispensers with lateral fastening brackets
- Batteries with an uneven number of oil dispensers are possible with an add-on lubricating point

### Type ETR 10490



### Type MTR 2 – 10



Type	Article no.
ETR	312 200 001
MTR 2	312 300 001
MTR 4	312 300 002
MTR 6	312 300 003
MTR 8	312 300 004
MTR 10	312 300 005
Add-on lubricating point	312 200 009

Inspection window can be delivered in natural glass for all types.  
 The minimum adjustment possibility is one to two drips per minute. 45 drips correspond approx. 1 ml of lubricant.