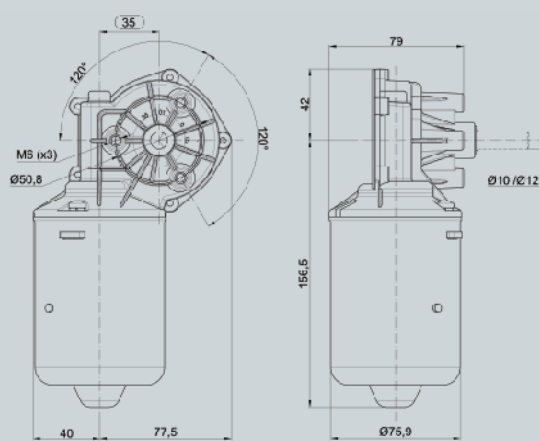
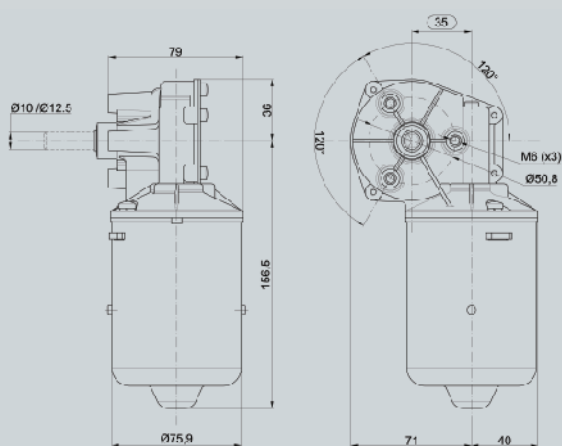
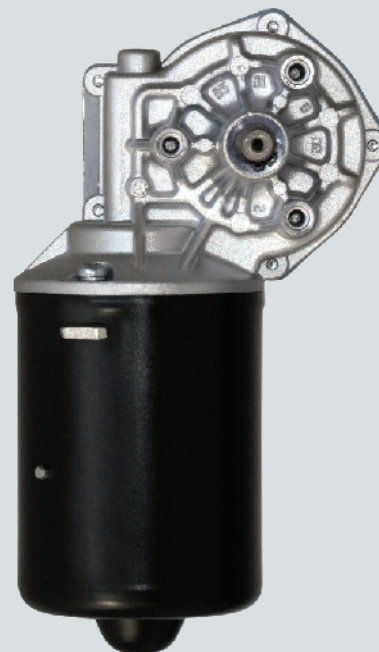


# MR76

**Sinistro / Left**

**Destro / Right**

**Tensione nominale**

 Supply voltage  
*Tension nominal*  
 Nennspannung

**Giri a vuoto (g/min)**

 No load speed (rpm)  
*Tour à vide (T/min)*  
 Leerlaufdrehzahl (U/min)

**Potenza resa**

 Shaft power  
*Puissance active*  
 Nennabgabeleistung

**Accessori**

 Accessories  
*Accessoires*  
 Optionen

|      |          |           |
|------|----------|-----------|
| 12 V | 10 ÷ 240 | 5 ÷ 120 W |
| 24 V | 15 ÷ 300 |           |
| 48 V | 30 ÷ 350 |           |

 Altre prestazioni disponibili su richiesta / *Different performances available on request*
**Encoder, Filtro EMC, Interruttore termico, Connettore.**

Encoder, Suppressor, Thermal Protection, Connector.

*Codeur, Filtre Antiparassite, Protection Thermique, Connecteur.*

Hall Sensor, Entstörung, Thermoschalter, Stecker.