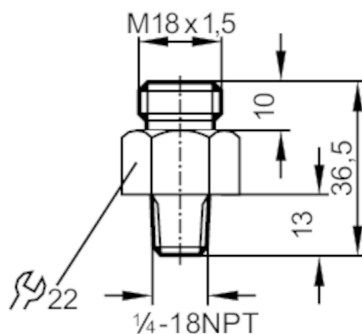


E40106



Adapter

Adapter SI/1 - 1/4NPT



Made in Germany

Application	
Media	liquids and gases of the fluid group 2 according to the Pressure Equipment Directive (PED)
Pressure rating [bar]	300
Mechanical data	
Weight [g]	57.6
Dimensions [mm]	M18 x 1
Thread designation	M18 x 1
Materials	stainless steel (1.4404 / 316L)
Sensor connection	M18 x 1,5 internal thread
Process connection	1/4 NPT
Insertion depth [mm]	13.9; (measuring probe SID, SFD, TN)
Remarks	
Pack quantity	1 pcs.