

JUMO GmbH & Co. KG
 Delivery address: Mackenrodtstraße 14
 36039 Fulda, Germany
 Postal address: 36035 Fulda, Germany
 Phone: +49 661 6003-0
 Fax: +49 661 6003-607
 E-mail: mail@jumo.net
 Internet: www.jumo.net

JUMO Instrument Co. Ltd.
 JUMO House
 Temple Bank, Riverway
 Harlow, Essex CM20 2DY, UK
 Phone: +44 1279 635533
 Fax: +44 1279 635262
 E-mail: sales@jumo.co.uk
 Internet: www.jumo.co.uk

JUMO Process Control, Inc.
 8 Technology Boulevard
 Canastota, NY 13032, USA
 Phone: 315-697-5866
 1-800-554-JUMO
 Fax: 315-697-5867
 E-mail: info.us@jumo.net
 Internet: www.jumousa.com



JUMO MIDAS Pressure transmitter

Brief description

Pressure transmitters are used for measuring the relative (gauge) pressure in liquids and gases. The pressure transmitter incorporates a thick-film strain gauge as a measuring device. The pressure sensor has an aluminium-oxide (Al₂O₃) ceramic base material. The pressure is converted into an electrical signal.

Technical data

Reference conditions

to DIN 16 086 and IEC 770/5.3

Ranges

see order details

Overload limits

for ranges

0 – 40 bar 3 x full scale

ranges

0 – 60 to 0 – 100 bar 2 x full scale

Bursting pressure

ranges 0 – 40 bar ≤ 5 x full scale

ranges

0 – 60 to 0 – 100 bar 3 x full scale

Parts in contact with medium

standard: st. steel, Mat. Ref. 1.4305,
 (Al₂O₃) 96%

seal: FPM or FFPM
 or CR

Output

4 – 20 mA

2-wire burden ≤ (U_B-10 V) / 0.02A

0.5 – 4.5 V burden ≥ 20 kΩ

1 – (5)6 V burden ≥ 10 kΩ

0 – 10 V burden ≥ 10 kΩ

Burden error

< 0.5% max.

Zero offset

≤ 0.3% of full scale

Thermal hysteresis

≤ ± 0.8% of full scale

Ambient temperature error

within range -20 to +85°C

(compensated temperature range)

zero: ≤ 0.02%/°C typical,
 ≤ 0.04%/°C max.

span: ≤ 0.02%/°C typical,
 ≤ 0.04%/°C max.

Deviation from characteristic

≤ 0.5% of full scale

(limit point adjustment)

Hysteresis

≤ 0.2% of full scale

Repeatability

≤ 0.1% of full scale

Response time

≤ 3 msec max.

Stability per year

≤ 1% of full scale

Supply

10 – 30 V DC (for output 4 – 20 mA
 and 1 – (5)6 V)

5 V DC (for output 0.5 – 4.5 V)

11.5 – 30 V DC (for output 0 – 10 V)

Ripple: the voltage spikes must not go
 above or below the values specified for the
 supply

max. current drawn: approx. 25 mA

Supply voltage error

≤ 0.02% per V

(nominal supply voltage 24 V DC)

ratiometric with supply 5 V DC (±0.5 V)

Permissible ambient temperature

for version with plug:

-20 to +125°C

for version with attached cable:

-20 to +100°C

Storage temperature

-40 to +125°C

for version with attached cable

-20 to +100°C

Permissible temperature of medium

-30 to +125°C

Electromagnetic compatibility (EMC)

to EN 61 326

Mechanical shock

(to IEC 68-2-27)

100 g/1 msec

Mechanical vibration

(to IEC 68-2-6)

20 g max. at 15 – 2000 Hz



Type 401001/000-xxx-xxx-xx-xxx-61



Type 401001/000-xxx-xxx-xx-xxx-36

JUMO GmbH & Co. KG
 Delivery address: Mackenrodtstraße 14
 36039 Fulda, Germany
 Postal address: 36035 Fulda, Germany
 Phone: +49 661 6003-0
 Fax: +49 661 6003-607
 E-mail: mail@jumo.net
 Internet: www.jumo.net

JUMO Instrument Co. Ltd.
 JUMO House
 Temple Bank, Riverway
 Harlow, Essex CM20 2DY, UK
 Phone: +44 1279 635533
 Fax: +44 1279 635262
 E-mail: sales@jumo.co.uk
 Internet: www.jumo.co.uk

JUMO Process Control, Inc.
 8 Technology Boulevard
 Canastota, NY 13032, USA
 Phone: 315-697-5866
 1-800-554-JUMO
 Fax: 315-697-5867
 E-mail: info.us@jumo.net
 Internet: www.jumousa.com



Protection

with terminal box
 IP65 to EN 60 529
 (diameter of connecting cable
 5 mm min., 7 mm max.)
 with connecting cable or
 circular connector M 12 x 1
 IP67 to EN 60 529

Housing

stainless steel, Mat. Ref. 1.4305
 EPDM

Pressure connection

see order details;
 other connections on request

Electrical connection

see order details
 terminal box to DIN 43 650, style A,
 conductor cross-section up to 1.5 mm²
 or
 attached 4-core PVC cable, length 2 m,
 other lengths on request
 or
 4-pole circular connector, M12x1

Nominal position

any

Weight

100 g

Electrical connection

Connection		Terminals			
		Terminal box 61	Cable 11	M12x1 36	Bayonet 53
Supply (with output) 10 – 30 V DC (1 – (5)6 V) 11.5 – 30 V DC (0 – 10 V) 5 V DC (0.5 – 4.5 V)		1 L+ 2 L-	white + brown -	1+ 2-	1+ 2-
Output 1 – (5)6 V 0 – 10 V 0.5 – 4.5 V		2 - 3 +	brown - yellow +	2- 3+	2- 3+
Supply (with output) 10 – 30 V DC (4 – 20 mA, 2-wire)		1 L+ 2 L-	white + brown -	1+ 3-	1+ 3-
Output 4 – 20 mA, 2-wire		1 + 2 -	white brown	1+ 3-	1+ 3-

proportional current 4 – 20 mA
in supply

JUMO GmbH & Co. KG
 Delivery address: Mackenrodtstraße 14
 36039 Fulda, Germany
 Postal address: 36035 Fulda, Germany
 Phone: +49 661 6003-0
 Fax: +49 661 6003-607
 E-mail: mail@jumo.net
 Internet: www.jumo.net

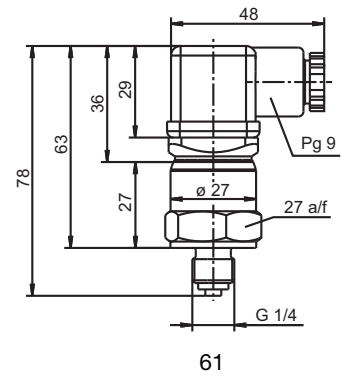
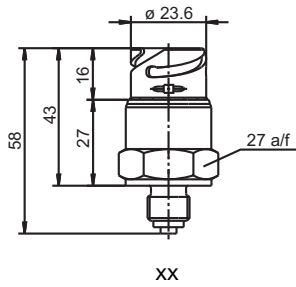
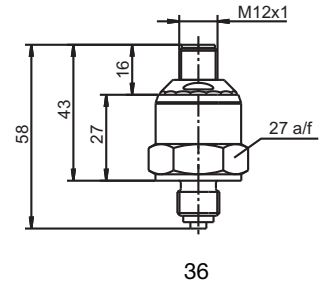
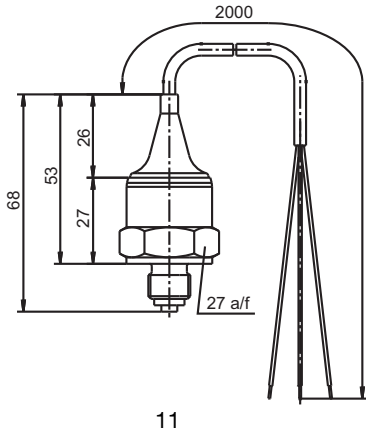
JUMO Instrument Co. Ltd.
 JUMO House
 Temple Bank, Riverway
 Harlow, Essex CM20 2DY, UK
 Phone: +44 1279 635533
 Fax: +44 1279 635262
 E-mail: sales@jumo.co.uk
 Internet: www.jumo.co.uk

JUMO Process Control, Inc.
 8 Technology Boulevard
 Canastota, NY 13032, USA
 Phone: 315-697-5866
 1-800-554-JUMO
 Fax: 315-697-5867
 E-mail: info.us@jumo.net
 Internet: www.jumousa.com

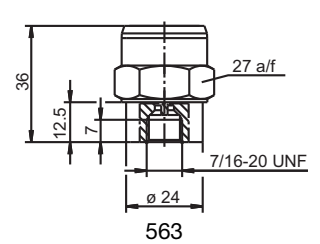
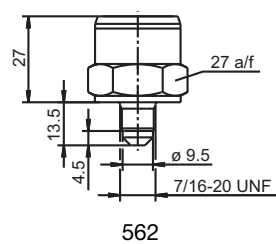
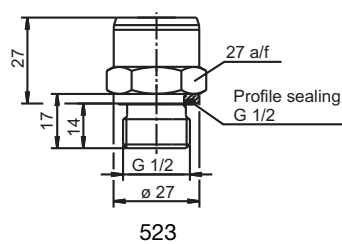
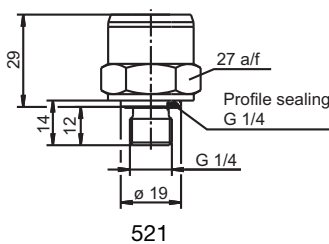
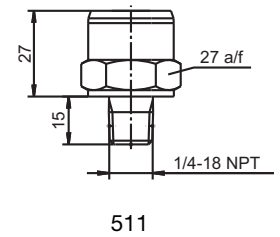
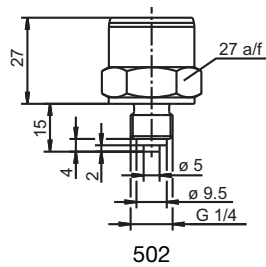
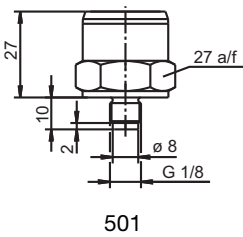


Dimensions

Electrical connections



Process connections



JUMO GmbH & Co. KG

Delivery address: Mackenrodtstraße 14
36039 Fulda, Germany
Postal address: 36035 Fulda, Germany
Phone: +49 661 6003-0
Fax: +49 661 6003-607
E-mail: mail@jumo.net
Internet: www.jumo.net

JUMO Instrument Co. Ltd.

JUMO House
Temple Bank, Riverway
Harlow, Essex CM20 2DY, UK
Phone: +44 1279 635533
Fax: +44 1279 635262
E-mail: sales@jumo.co.uk
Internet: www.jumo.co.uk

JUMO Process Control, Inc.

8 Technology Boulevard
Canastota, NY 13032, USA
Phone: 315-697-5866
1-800-554-JUMO
Fax: 315-697-5867
E-mail: info.us@jumo.net
Internet: www.jumousa.com

**Order details**

- (1) Basic type**
401001 Pressure transmitter JUMO MIDAS
- (2) Basic type extensions**
000 none
999 special version
- (3) Input**
455 0 ... 1,6 bar gauge pressure
456 0 ... 2,5 bar gauge pressure
457 0 ... 4 bar gauge pressure
458 0 ... 6 bar gauge pressure
459 0 ... 10 bar gauge pressure
460 0 ... 16 bar gauge pressure
461 0 ... 25 bar gauge pressure
462 0 ... 40 bar gauge pressure
463 0 ... 60 bar gauge pressure
464 0 ... 100 bar gauge pressure
479 -1 ... 0,6 bar gauge pressure
480 -1 ... 1,5 bar gauge pressure
481 -1 ... 3 bar gauge pressure
482 -1 ... 5 bar gauge pressure
483 -1 ... 9 bar gauge pressure
484 -1 ... 15 bar gauge pressure
485 -1 ... 24 bar gauge pressure
999 Sondermessbereich
- (4) Output**
405 4 – 20 mA 2-wire
412 0.5 – 4.5 V 3-wire
415 0 – 10 V 3-wire
418 1 – 5 V 3-wire
420 1 – 6 V 3-wire
- (5) Process connection (not front-flush)**
501 G 1/8 to EN 837
502 G 1/4 to EN 837
511 1/4-18 NPT to EN 837
521 G 1/4 to DIN 3852 T11
523 G 1/2 to DIN 3852 T11
562 7/16 UNF
563 7/16 internal UNF, with valve seating
- (6) Material of process connection**
20 stainless steel
46 brass (on request)
- (7) Material for seal**
601 FPM
602 CR
604 FFPM¹
999 special material
- (8) Electrical connection**
11 attached cable 2 m
36 circular connector M 12 x 1
61 terminal box
- (9) Extra Codes**
000 none
591 throttle in pressure duct
624 free from oil and grease

¹ Material properties are similar to PTFE.

JUMO GmbH & Co. KG

Delivery address: Mackenrodtstraße 14
 36039 Fulda, Germany
 Postal address: 36035 Fulda, Germany
 Phone: +49 661 6003-0
 Fax: +49 661 6003-607
 E-mail: mail@jumo.net
 Internet: www.jumo.net

JUMO Instrument Co. Ltd.

JUMO House
 Temple Bank, Riverway
 Harlow, Essex CM20 2DY, UK
 Phone: +44 1279 635533
 Fax: +44 1279 635262
 E-mail: sales@jumo.co.uk
 Internet: www.jumo.co.uk

JUMO Process Control, Inc.

8 Technology Boulevard
 Canastota, NY 13032, USA
 Phone: 315-697-5866
 1-800-554-JUMO
 Fax: 315-697-5867
 E-mail: info.us@jumo.net
 Internet: www.jumousa.com



	(1)	(2)	(3)	(4)	(5)	(6)	(7)	(8)	(9)								
Order code	<input type="text"/>	/	<input type="text"/>	-	<input type="text"/>	-	<input type="text"/>	-	<input type="text"/>	/	<input type="text"/>						
Order example	401001	/	000	-	459	-	405	-	523	-	20	-	601	-	11	/	000

Accessories**Designation**

4-pole straight socket M12x1 with 2 m PVC cable
 4-pole angled socket M12x1, with 2m PVC cable

Part No.

00404585
 00409334