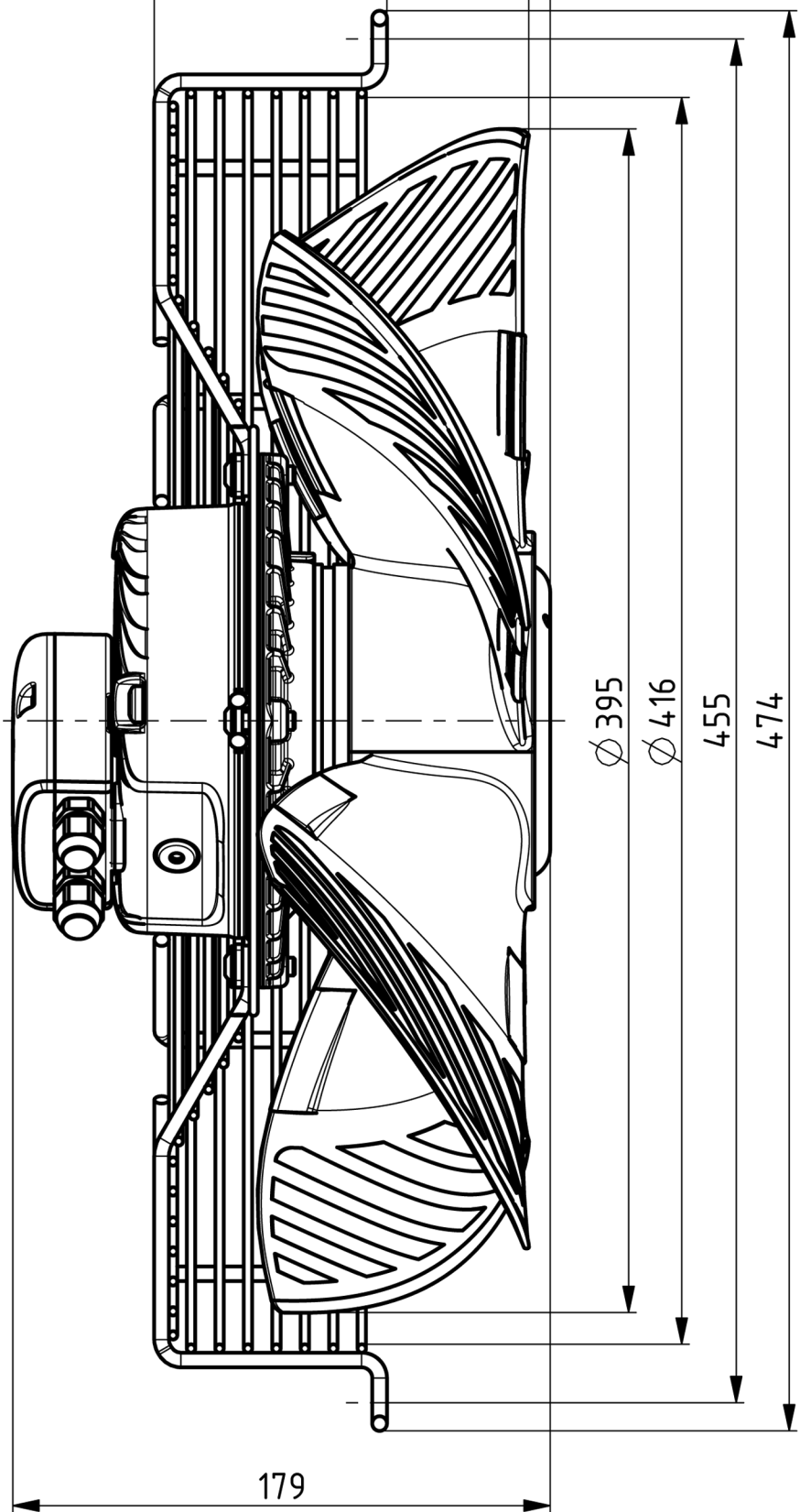


AIRFLOW
DIRECTION

78 55
47



→

