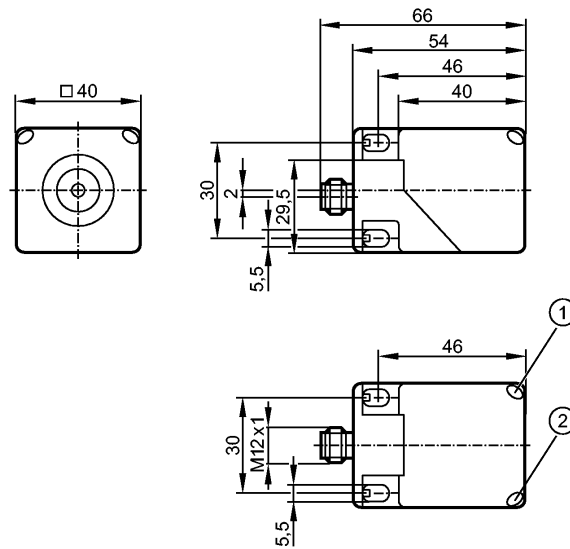


IM5139

IMC3015A1PKG/US

Inductive sensors



- 1: LED yellow
- 2: LED green

Made in Germany



Product characteristics

Inductive sensor
Rectangular, plastics
Connector
Analogue output 4...20 mA (linear, gradient: 1.143 mA/mm *)
5 positions of the sensing face selectable
Measuring range 1...15 mm; [f] flush mountable

Electrical data

Electrical design	DC analogue
Operating voltage [V]	15...30 DC; "supply class 2" to cULus.
Current consumption [mA]	< 20
Protection class	II
Reverse polarity protection	yes

Outputs

Output function	4...20 mA analogue
Max. load [Ω]	500
Short-circuit protection	yes
Overload protection	yes

Range

Measuring range [mm]	1...15
----------------------	--------

Accuracy / deviations

Correction factors	mild steel = 1 / stainless steel approx. 0.7 / brass approx. 0.5 / Al approx. 0.4 / Cu approx. 0.3
Linearity error	± 3 %; of IA max
Repeatability	± 2 %; of IA max
Temperature coefficient	± 10 %; of IA max

Reaction times

Response time [ms]	< 20
--------------------	------

IM5139

IMC3015A1PKG/US

Inductive sensors

Environment

Ambient temperature	[°C]	-25...80
Protection		IP 67

Tests / approvals

MTTF	[Years]	917
------	---------	-----

Mechanical data

Mounting		flush mountable
Housing materials		PA (polyamide); Brass white bronze coated
Weight	[kg]	0.152

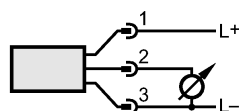
Displays / operating elements

Display		within the operating range yellow (permanently lit) outside the operating range yellow (flashing) Operation LED green
---------	--	---

Electrical connection

Connection		M12 connector
------------	--	---------------

Wiring



Remarks

Remarks		*) for target 45x45x1 mm made of mild steel and frontal approach
Pack quantity	[piece]	1