

AS - KIT

Air Saving

Has anyone ever told you that air is free? Well, think again because compressed air still uses energy and costs money to use it. VMECA / VTEC 's ongoing principle on saving air and giving you the highest performance have always been our standard.

Air Saving Kit

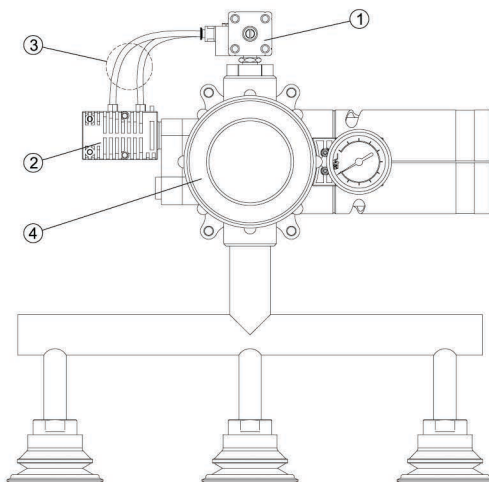
VMECA / VTEC have always offered various ranges of compressed air-driven vacuum pumps in the market.

VMECA / VTEC ensures the best solutions to customers by offering the most efficient products in the market.

VMECA / VTEC 's Air Saving-Kit(AS-Kit) effectively prevents compressed air loss. Air Saving-Kit is a pneumatic control system that cuts off the vacuum pump once the desired vacuum level has been achieved, thus minimizing the energy (compressed air) consumption of the vacuum pump.



In case the vacuum level drops below the working level (required vacuum level), then the Air Saving-Kit reactivates the vacuum pump allowing for safe handling of product. The Air Saving-Kit is the most suitable in sealed systems (applications).



AS - Kit - Turtle Pump

- ① Pneumactical vacuum switch, VPS-01 NC
- ② Pneumactical Air ON/OFF Valve, 1/4 "
- ③ Hose of Poly-Urethane, D=4/1.5
- ④ Turtle Vacuum pump, Non-return type

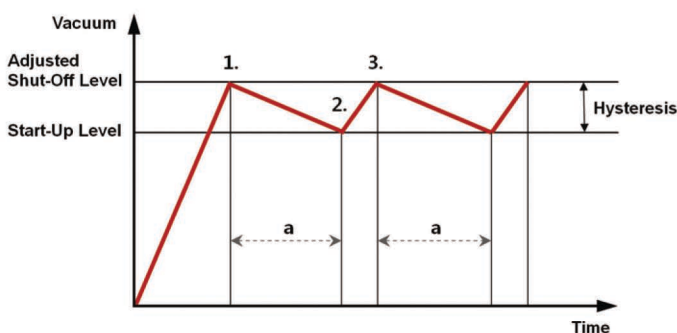
Function

A vacuum control valve shuts off the flow of compressed air to the pump when the pre-set vacuum level is reached (1).

The vacuum level is set by a screw. Because of minor leakage in a vacuum system the vacuum level drops and after a while the start up level of the valve is reached (2).

Then the pump will start and work until the shut off level is reached again (3), etc.

(the section (a) is possible to be changed depending on the level of airtight.)



AS - KIT

- AS - Kit Products line-up



VACUUM PUMPS

