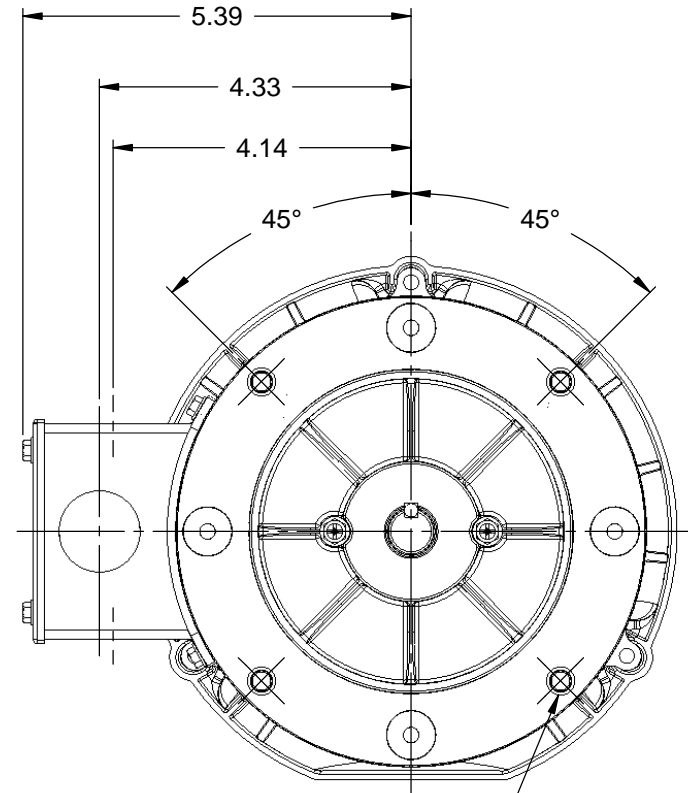
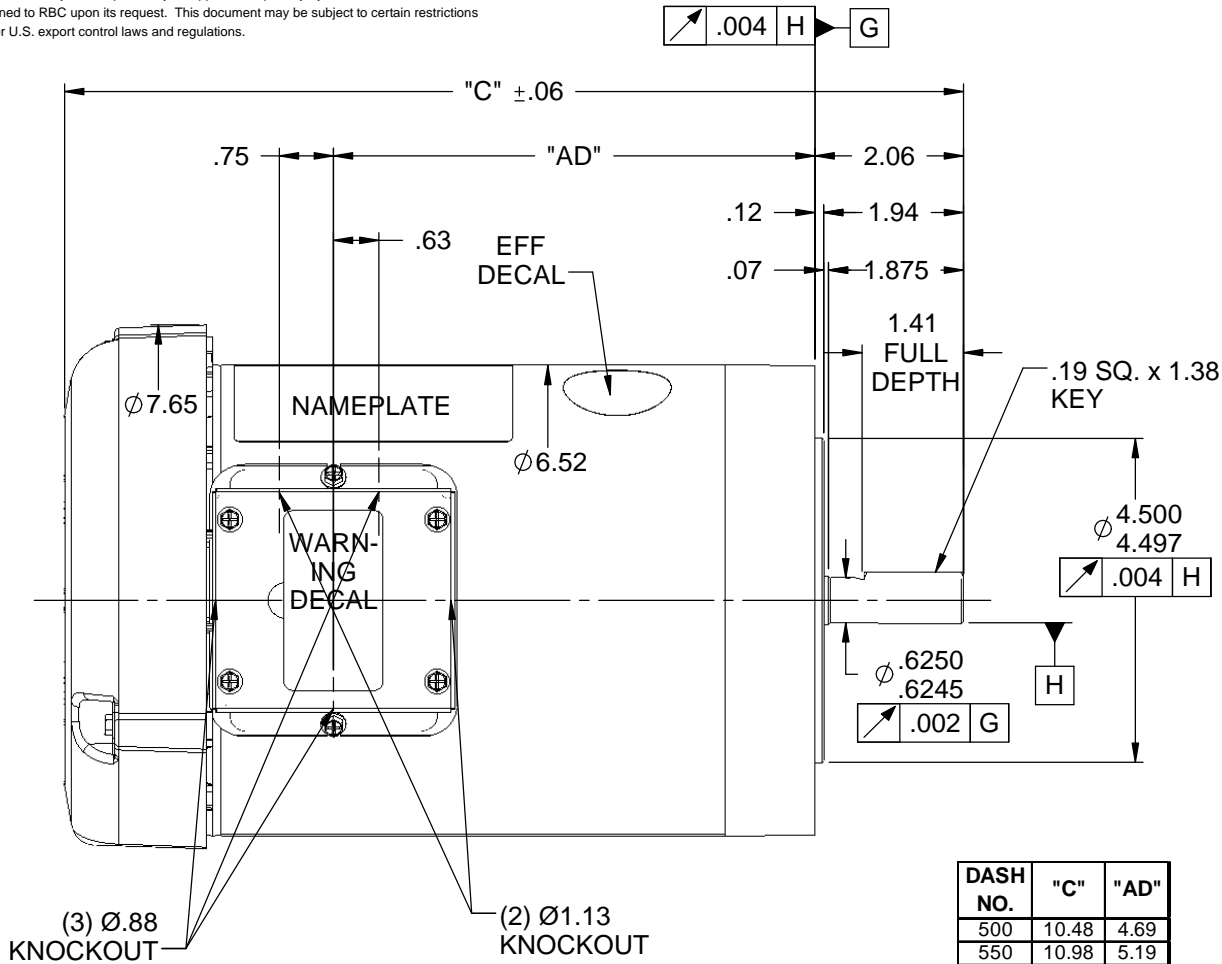


This document is the property of REGAL BELOIT CORPORATION ("RBC") including its subsidiaries and divisions and contains proprietary information of RBC. This document is loaned on the express condition that neither it nor the information contained therein shall be disclosed to others without the express written consent of RBC, and that the information shall be used by the recipient only as approved expressly by RBC. This document shall be returned to RBC upon its request. This document may be subject to certain restrictions under U.S. export control laws and regulations.



DASH NO.	"C"	"AD"
500	10.48	4.69
550	10.98	5.19
600	11.48	5.69
625	11.73	5.94
650	11.98	6.19
700	12.48	6.69
750	12.98	7.19
800	13.48	7.69

NOTE:
1) GASKETS THROUGHOUT

		TOLERANCES UNLESS SPECIFIED		LEESON	ELECTRIC MOTORS GEARMOTORS AND DRIVES	DRAWN KMM 08/01/07		
		DEC	INCHES			CHK	APPR	SCALE 3:8
03	ADDED ITEMS #750 (116743), #800 (116744)	GRB 9/8/2008	RVD .XX	±.03	TITLE OUTLINE - 56C FRAME TEFC - "C" FACE	REF	028505.00	
02	ADDED DASH #625 (110125) PER ISAAC:08-1939	VS 7/23/08	.XXX	±.005		REF	110451.00	
01	REVISED DECAL REPRESENTATION	JJK 3/27/2008	.XXX	±.0005	MAT'L	REF	110451.00	
NO	REVISION	BY & DATE	CHK	ANG ±1/2°	FINISH GENERAL PURPOSE	PAGE	OF	
THIRD ANGLE PROJECTION				RFP	PREV	SIZE	DRAWING NO	REV
				NETWORK FILE NAME	028776	A	028776	03