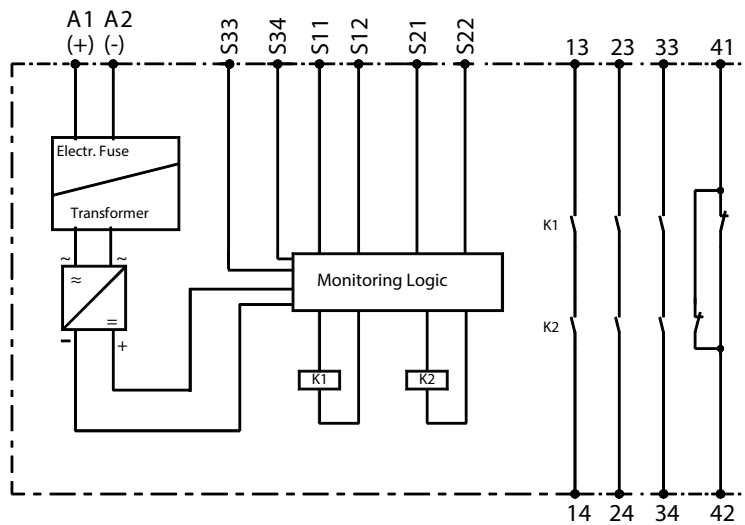


## Safety Relay Combination Series SCR

Description **SCR 4-W22-3.5-D**

Article number **6075111009**

### Assembly and function (function circuit diagram)



- 13-14, 23-24, 33-34 safety circuits (normally open)
- 41-42 auxiliary circuits (normally close)
- S33-S34 START button
- S11-S12, S21-S22 EMERGENCY-STOP channel 1 and 2

### Electrical Data

|                         |       |                           |
|-------------------------|-------|---------------------------|
| Supply voltage          | $U_e$ | 24 V AC/DC                |
| Voltage range           |       | 0,90 ... 1,1 $U_e$        |
| Frequency               |       | 50 ... 60 Hz              |
| Power consumption appr. |       | 24V DC: 3 W, 24V AC: 5 VA |

### Conductor data

|                                       |   |
|---------------------------------------|---|
| conductor connection                  | 2 x 1,5 mm <sup>2</sup> solid wire<br>2 x 1,0 mm <sup>2</sup> strand with wire end ferrule<br>DIN VDE 46228 |
| Max. conductor length (input circuit) | 2 x 100m (single channel), 4 x 100m (dual channel)  |
| Conductor cross-section               | 2 x 1,5 mm <sup>2</sup> / 4 x 1,5 mm <sup>2</sup>   |
| Capacity                              | 150 nF/km   |

| Contact data   |  |
|--|--|
| Contact configuration  | 3 N.O. contacts / 1 N.C. contact                           |
| Contact type   | Relay forcibly guided contacts                             |
| Contact material   | AgSnO <sub>2</sub> flash gold or comparable material       |
| Switching voltage  | 230V AC, 24V DC  |
| Switching current  | 5 A  |
| Summation current  | 13,8 A   |
| Utilization category (DIN EN 60947-5-1)                      | AC 15 230 V / 5 A; DC 13 24 V / 5 A                        |
| Max. switching capacity                                      | 1500 VA (ohms load)  |
| Mechanical life  | 10 <sup>7</sup> operations                                 |
| Electrical life  | 10 <sup>5</sup> operations (DC 24V/2A)                     |
| Creepage and clearance distances (DIN VDE 0160)              | at pollution grade 2, Voltage category 3 / 250 V           |
| Contact protection   | 6,3 A fast acting or 4 A slow acting DIN VDE 0660 Teil 200 |
| Short Circuit Withstand acc. IEC60947-5-1                    | 6A   |
| Short Circuit Protection Device (SCPD, Fuse links), size D01 | gG acc. IEC IEC60269-1; IEC60269-3-1; VDE036-T301          |
| Restarting readines time                                     | 0,5 s (minimum switch off time the inputs)                 |
| Delay on deenergisation K1                                   |  |
| One-channel  | < 100 ms   |
| Two channels   | 24 V DC: < 30 ms; AC: < 50 ms                              |

| Mechanical data                |                              |
|--------------------------------|------------------------------|
| Enclosure material             | Polyamide PA 6.6             |
| Dimensions ( W x H x D ) in mm | 22,5 x 114,5 x 99            |
| Mounting                       | Click-fastening for DIN-Rail |

| Environmental data                  |                                  |
|-------------------------------------|----------------------------------|
| Operating temperature range         | -25 °C ... +55 °C                |
| Air humidity                        | Swap climate, 95 %, 0 ... +50 °C |
| Degree of protection, terminals     | IP 20 DIN VDE 0470 part 1        |
| Degree of protection, enclosure     | IP 40 DIN VDE 0470 part 1        |
| Shock resistance N.O./N.C. contacts | 8g / 2g                          |

| EU Conformity |                              |
|---------------|------------------------------|
|               | acc. to directive 2006/42/EG |

| Approvals |                   |
|-----------|-------------------|
|           | TÜV               |
|           | cUL <sub>US</sub> |