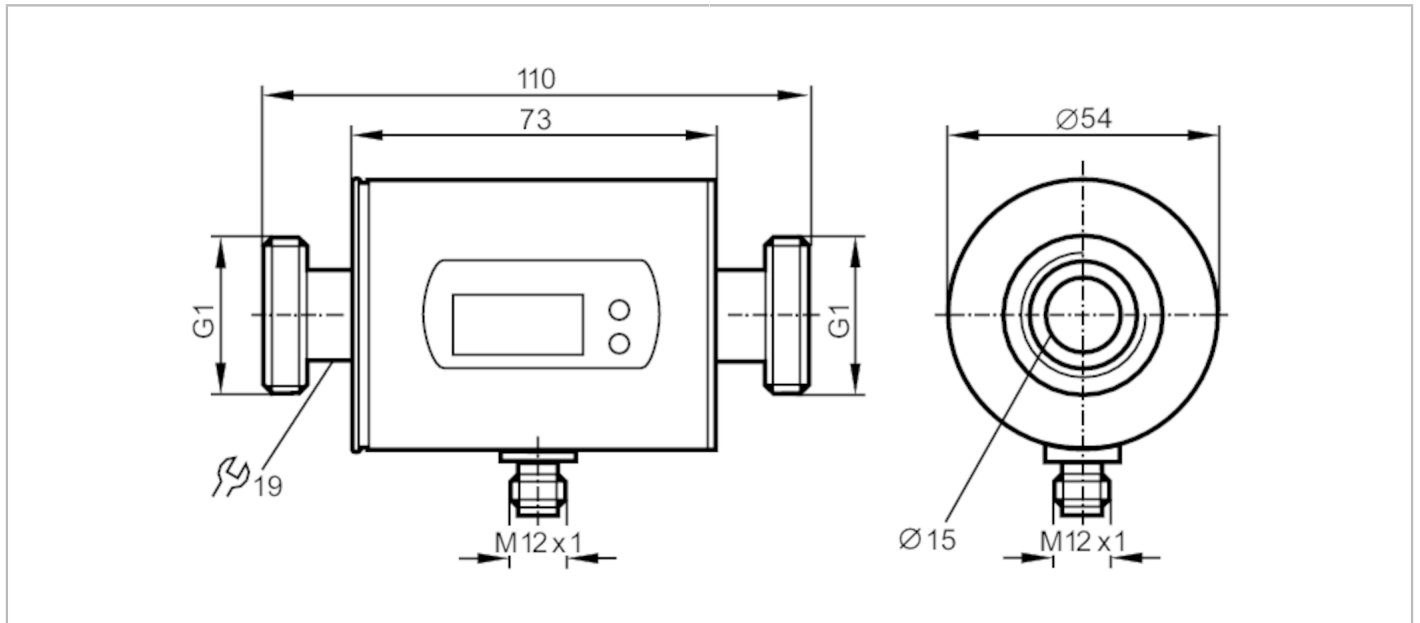


SM8000



Magnetic-inductive flow meter

SMR11GGXFRKG/US-100



Made in Germany

Application	
Application	totaliser function
Installation	connection to pipe by means of an adapter
Media	conductive liquids of the fluid group 2 according to Pressure Equipment Directive (PED)
Medien	conductivity: $\geq 20 \mu\text{S/cm}$ viscosity: $< 70 \text{ mm}^2/\text{s}$ (40 °C)
Medium temperature [°C]	-10...70
Pressure rating [bar]	16
Electrical data	
Operating voltage [V]	18...30 DC; (according to EN 50178 SELV/PELV)
Current consumption [mA]	95; (24 V)
Protection class	III
Reverse polarity protection	yes
Power-on delay time [s]	5
Inputs	
Inputs	counter reset

SM8000



Magnetic-inductive flow meter

SMR11GGXFRKG/US-100

Outputs		
Total number of outputs	2	
Output signal	switching signal; analogue signal; pulse signal; IO-Link; (configurable)	
Number of digital outputs	2	
Output function	normally open / normally closed; (parameterisable)	
Max. voltage drop switching output DC [V]	2	
Permanent current rating of switching output DC [mA]	200	
Number of analogue outputs	1	
Analogue current output [mA]	4...20; (scalable)	
Max. load [Ω]	500	
Analogue voltage output [V]	0...10; (scalable)	
Min. load resistance [Ω]	2000	
Pulse output	flow rate meter	
Electrical design	PNP/NPN	
Short-circuit protection	yes	
Type of short-circuit protection	pulsed	
Overload protection	yes	
Measuring/setting range		
Measuring range	0.2...100 l/min	0.01...6 m³/h
Display range	-120...120 l/min	-7.2...7.2 m³/h
Resolution	0.1 l/min	0.005 m³/h
Set point SP	0.7...100 l/min	0.04...6 m³/h
Reset point rP	0.2...99.5 l/min	0.01...5.97 m³/h
Analogue start point ASP	0...80 l/min	0...4.8 m³/h
Analogue end point AEP	20...100 l/min	1.2...6 m³/h
In steps of	0.1 l/min	0.005 m³/h
volumetric flow quantity monitoring		
Pulse value	0.00001...100 000 m³	
Pulse length [s]	0,0025...2	
Temperature monitoring		
Measuring range [°C]	-20...80	
Resolution [°C]	0.2	
Set point SP [°C]	-19.2...80	
Reset point rP [°C]	-19.6...79.6	
Analogue start point [°C]	-20...60	
Analogue end point [°C]	0...80	
In steps of [°C]	0.2	
Accuracy / deviations		
Flow monitoring		
Accuracy (in the measuring range)	± (0,8 % MW + 0,5 % MEW)	
Repeatability	± 0,2% MEW	

SM8000



Magnetic-inductive flow meter

SMR11GGXFRKG/US-100

Temperature monitoring		
Accuracy	[K]	± 2,5 (Q > 5 l/min)
Response times		
Flow monitoring		
Response time	[s]	0.15; (dAP = 0)
Delay time programmable dS, dr	[s]	0...50
Damping for the switching output dAP	[s]	0...5
Temperature monitoring		
Dynamic response T05 / T09	[s]	T09 = 20 (Q > 5 l/min)
Software / programming		
Parameter setting options	Flow monitoring; quantity meter; Preset counter; Temperature monitoring; hysteresis / window; normally open / normally closed; switching logic; current/voltage/pulse output; start-up delay; display can be deactivated; Display unit	
Interfaces		
Communication interface	IO-Link	
Transmission type	COM2 (38,4 kBaud)	
IO-Link revision	1.1	
SDCI standard	IEC 61131-9	
IO-Link device ID	575 / 00 02 3f	
Profiles	Smart Sensor: Process Data Variable; Device Identification, Device Diagnosis	
SIO mode	yes	
Required master port type	A	
Process data analogue	3	
Process data binary	2	
Min. process cycle time	[ms]	5
Operating conditions		
Ambient temperature	[°C]	-10...60
Storage temperature	[°C]	-25...80
Protection	IP 67	
Tests / approvals		
EMC	DIN EN 60947-5-9	
Shock resistance	DIN IEC 68-2-27	20 g (11 ms)
Vibration resistance	DIN IEC 68-2-6	5 g (10...2000 Hz)
MTTF	[years]	145
Pressure Equipment Directive	article 3, paragraph (3) - Sound Engineering Practice	
Mechanical data		
Weight	[g]	631
Materials	stainless steel (1.4404 / 316L); PBT-GF20; PC; FKM; TPE	
Materials (wetted parts)	stainless steel (1.4404 / 316L); PEEK; FKM	
Process connection	threaded connection G 1 flat seal	

SM8000



Magnetic-inductive flow meter

SMR11GGXFRKG/US-100

Displays / operating elements		
Display	Display unit	6 x LED, green (l/min, m ³ /h, l, m ³ , 10 ³ , °C)
	switching status	2 x LED, yellow
	measured values	alphanumeric display, 4-digit
	programming	alphanumeric display, 4-digit

Remarks	
Remarks	MW = measured value
	MEW = Final value of the measuring range
Pack quantity	1 pcs.

Electrical connection

Connector: 1 x M12; Kontakte: gold-plated



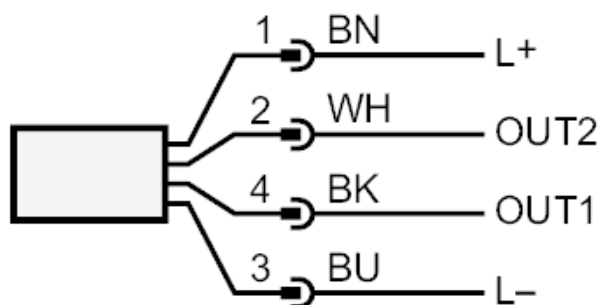
SM8000



Magnetic-inductive flow meter

SMR11GGXFRKG/US-100

Connection



colours to DIN EN 60947-5-2

OUT1: switching output volumetric flow quantity monitoring

Pulse output quantity meter

signal output Preset counter

IO-Link

OUT2: switching output volumetric flow quantity monitoring

switching output Temperature monitoring

analogue output volumetric flow quantity monitoring

analogue output Temperature monitoring

input counter reset

Core colours :

BK = black

BN = brown

BU = blue

WH = white

SM8000

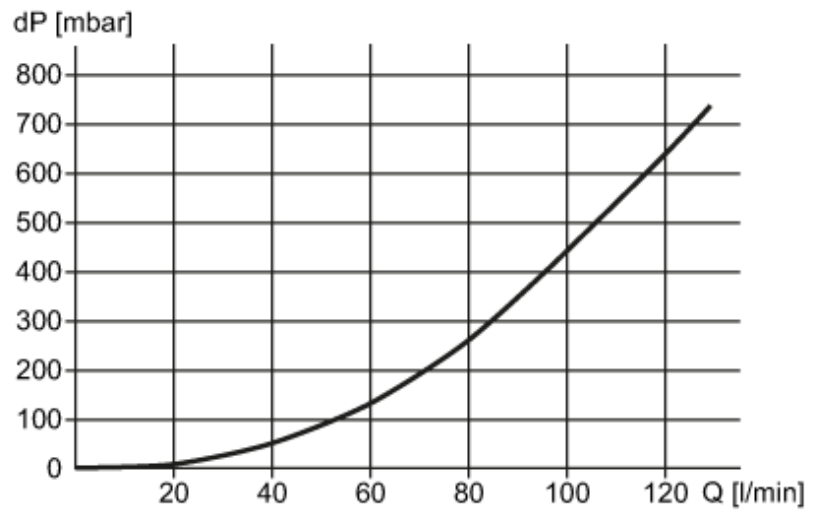


Magnetic-inductive flow meter

SMR11GGXFRKG/US-100

diagrams and graphs

Pressure loss



dP Pressure loss

Q volumetric flow quantity