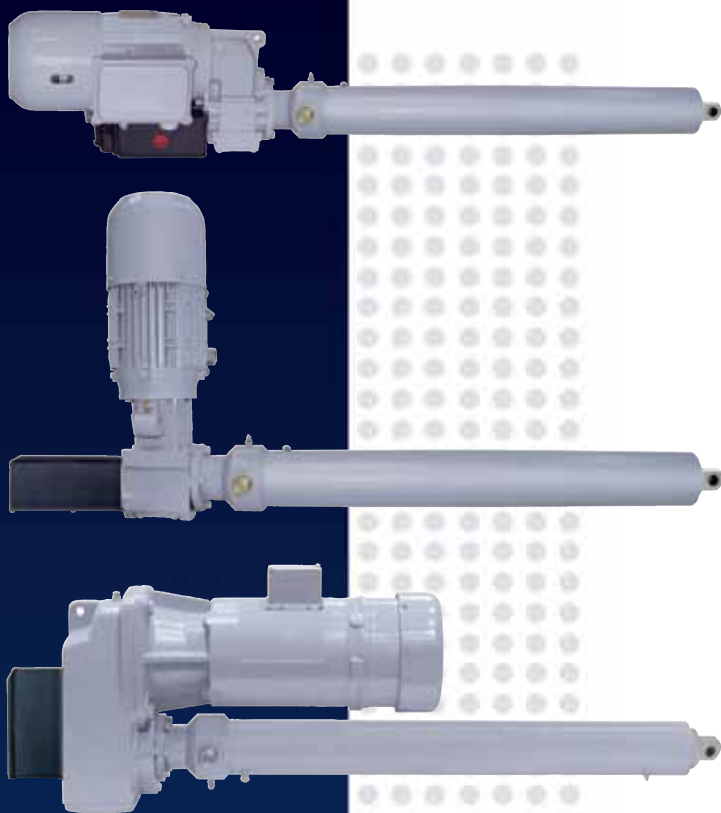


SCN12 SERIES

12 Ton

106.7 kN



Specifications

CAPACITY

12 Ton (106.7 kN)

BRAKE MOTOR

TEFC 230/460 Vac, 3 ph, 60 Hz

TEMPERATURE RANGE

0°F to 120°F (-18°C to 50°C)*

SPEEDS

Up to 188.5 in/min (4,787 mm/min)

STROKES

Up to 110 in (2,794 mm)

* For other temperatures please consult the factory

Features & Benefits

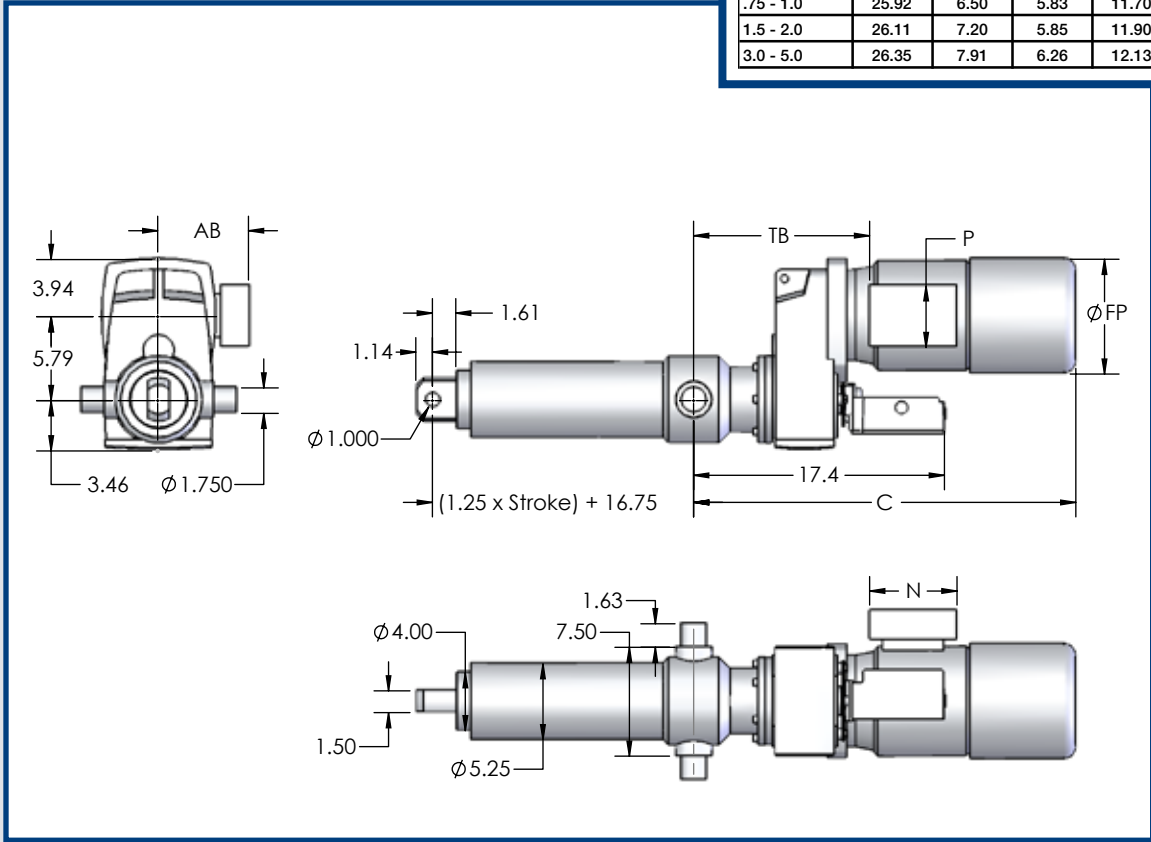
- Easy to install - reduces installation costs
- Custom designed for your application
- Low maintenance design - easy to maintain after installation
- Long product life expectancy
- Ball screw
- Ductile iron housing
- Chrome plated translating tube
- Adjustable end of stroke limit switches
- Clevis and trunnion mounting
- Motor configuration include: parallel, right angle and off set

Options

- Food grade component options available
- Explosion proof motor and limit switch
- Product designs for outdoor applications
- Manual override
- Other special packages are available upon your application needs



Motor HP	C	FP	AB	TB	N	P
.33 - .50	25.84	5.71	5.24	11.82	5.20	3.43
.75 - 1.0	25.92	6.50	5.83	11.70	6.02	4.25
1.5 - 2.0	26.11	7.20	5.85	11.90	6.02	4.25
3.0 - 5.0	26.35	7.91	6.26	12.13	6.02	4.25



12 Ton Electric Cylinder (SCN) - Off Set Motor

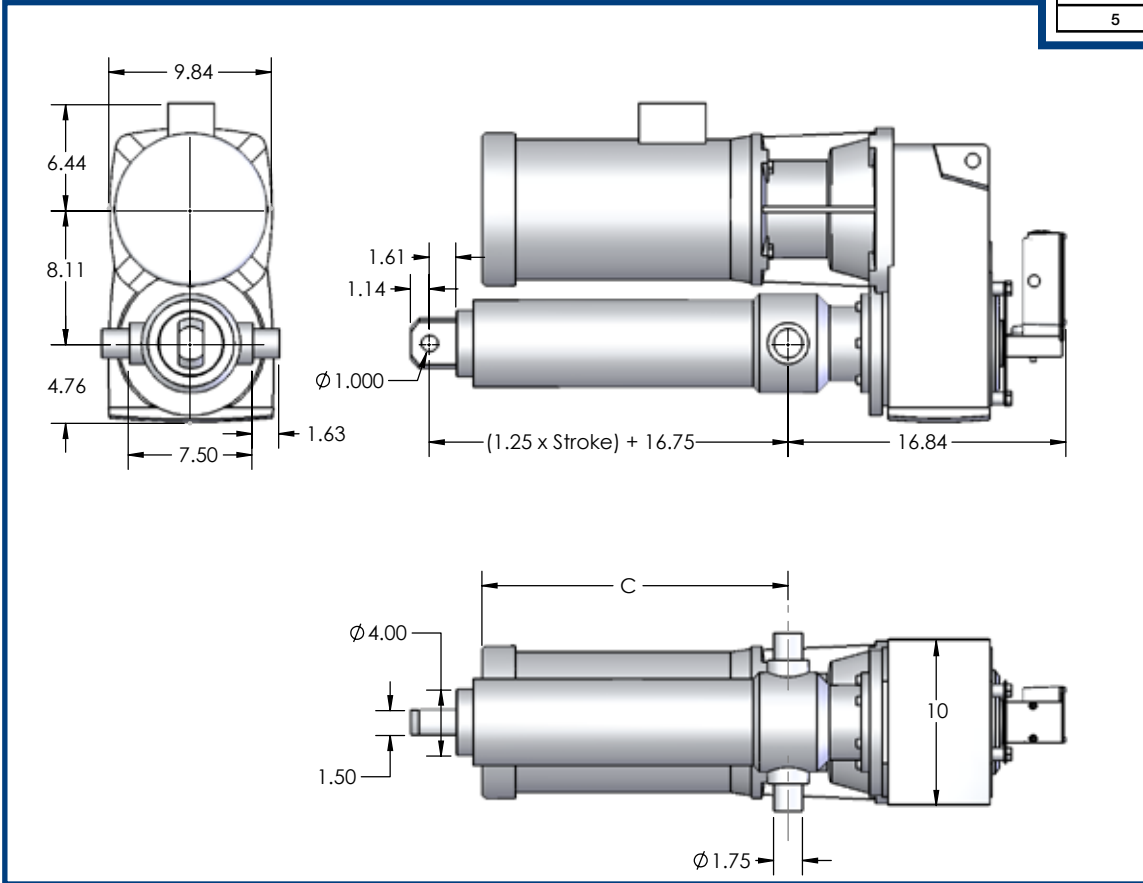
Part Number	Rated Load		Standard Stroke Lengths		Retracted Length	Speed		Max Stroke		Motor	
	lbs	N	in	mm	in (mm)	in/min	mm/min	in	mm	HP	kW
NZ12-0451	9,305	41,390	6, 12, 18, 24, 36	152, 304, 457, 609, 914	16.75 (425) + (1.25 x stroke)	188.5	4,787	110	2,794	5	3.72
NZ12-1181	14,620	65,031				72.0	1,828	110	2,794	3	2.23
NZ12-1851	15,277	67,950				45.9	1,116	110	2,794	2	1.49
NZ12-3718	15,343	68,244				22.9	581	110	2,794	1	0.74
NZ12-0748	15,433	68,649				113.6	2,885	110	2,794	5	3.72
NZ12-2683	16,607	73,869				31.7	805	110	2,794	1-1/2	1.12
NZ12-0837	17,270	76,821				101.6	2,581	110	2,794	5	3.72
NZ12-4511	18,615	82,803				18.8	477	108	2,743	1	0.74
NZ12-0903	18,631	82,874				94.1	2,390	107	2,717	5	3.72
NZ12-2396	19,774	87,959				35.5	902	104	2,641	2	1.49
NZ12-1653	20,464	91,022				51.4	1,306	102	2,591	3	2.23
NZ12-2497	20,608	91,664				34.0	865	102	2,591	2	1.49
NZ12-1015	20,942	93,151				83.7	2,127	101	2,565	5	3.72
NZ12-3654	22,618	100,603				23.3	591	97	2,464	1-1/2	1.12
NZ12-6967	24,000	106,752				12.2	310	85	2,159	1	0.74
NZ12-8242	24,000	106,752				10.3	262	91	2,311	3/4	0.56
NZ12-10407	24,000	106,752				8.2	207	80	2,032	3/4	0.56
NZ12-12751	24,000	106,752				6.7	169	89	2,261	1/2	0.37
NZ12-14996	24,000	106,752				5.7	144	82	2,082	1/2	0.37
NZ12-18511	24,000	106,752				4.6	117	91	2,311	1/3	0.25
NZ12-23611	24,000	106,752	3.6	91	80	2,032	1/3	0.25			
NZ12-27627	24,000	106,752	3.1	78	85	2,159	1/4	0.19			

Consult factory for additional speeds and capacities
 Stroke lengths are available in 1" increments, please contact factory for details

SCN12 SERIES



Motor HP	C
1/3	11.84
1/2 - 3/4	13.34
1	13.84
1 - 1/2	14.84
2	15.84
3	16.07
5	16.52

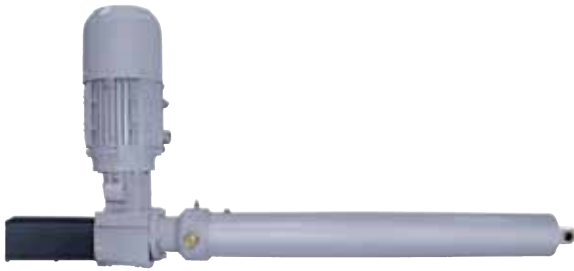


12 Ton Electric Cylinder (SCN) - Parallel Motor

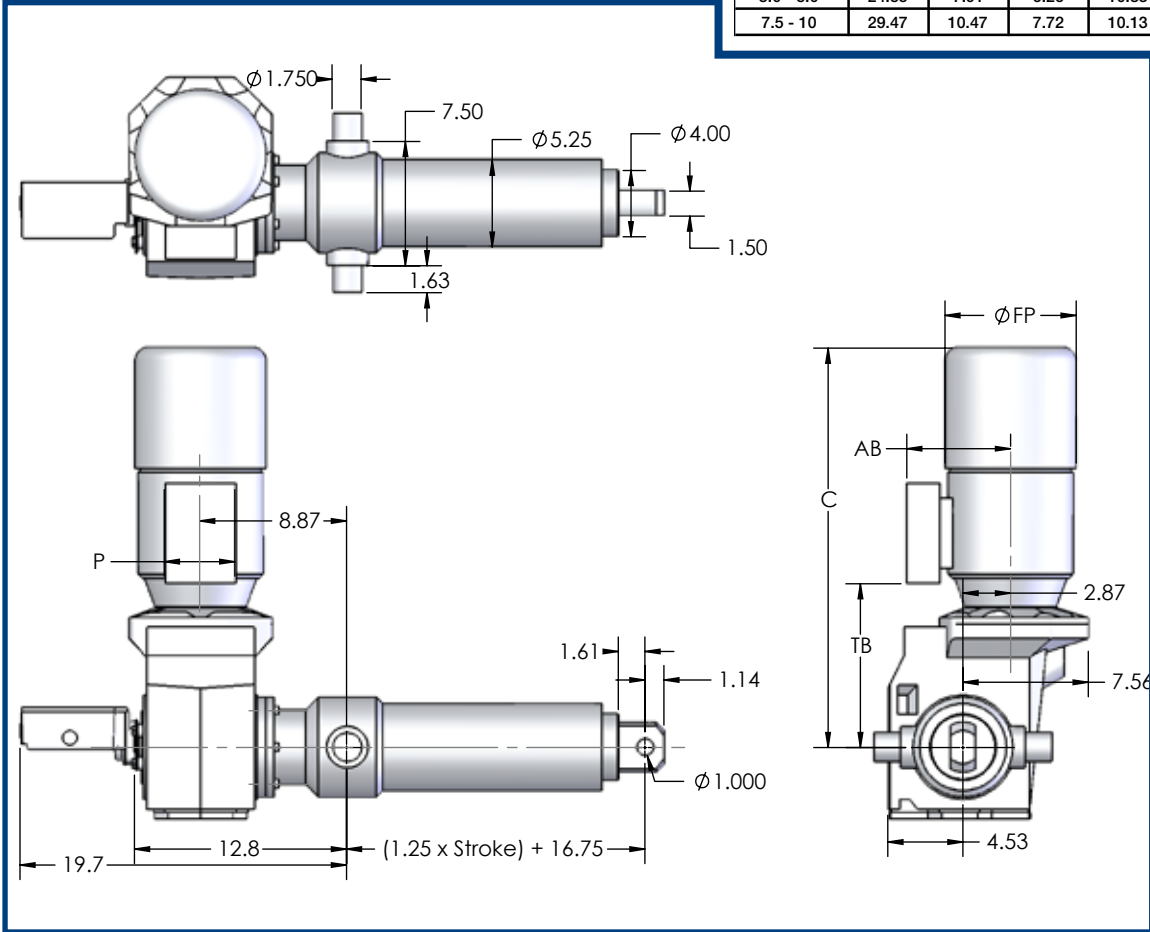
Part Number	Rated Load		Standard Stroke Lengths		Retracted Length	Speed		Max Stroke		Motor	
	lbs	N	in	mm	in (mm)	in/min	mm/min	in	mm	HP	kW
NU12-0470	9,697	43,134	6, 12, 18, 24, 36	152, 304, 457, 609, 914	16.75 (425) + (1.25 x stroke)	180.9	4,594	110	2,794	5	3.72
NU12-0543	11,204	49,838				156.5	3,975	110	2,794	5	3.72
NU12-0606	12,503	55,616				140.3	3,564	110	2,794	5	3.72
NU12-1818	15,004	66,738				46.8	1,188	110	2,794	2	1.49
NU12-1268	15,697	69,824				67.0	1,702	110	2,794	3	2.23
NU12-4074	16,812	74,783				20.9	531	110	2,794	1	0.74
NU12-0823	17,187	76,452				102.0	2,591	110	2,794	5	3.72
NU12-2145	17,703	78,746				39.6	1,006	110	2,794	2	1.49
NU12-4505	18,590	82,689				18.9	479	108	2,743	1	0.74
NU12-1520	18,817	83,702				55.9	1,420	107	2,717	3	2.23
NU12-0923	19,044	84,708				92.1	2,339	106	2,692	5	3.72
NU12-15540	21,162	94,128				5.5	139	100	2,540	1/3	0.25
NU12-2625	21,664	96,363				32.4	822	99	2,515	2	1.49
NU12-3681	22,785	101,347				23.1	587	96	2,438	1-1/2	1.12

Consult factory for additional speeds and capacities

Stroke lengths are available in 1" increments, please contact factory for details



Motor HP	C	FP	AB	TB	N	P
.33 - .50	19.47	5.71	5.24	9.82	5.20	3.43
.75 - 1.0	20.89	6.50	5.83	9.90	6.02	4.25
1.5 - 2.0	22.73	7.20	5.85	10.09	6.02	4.25
3.0 - 5.0	24.55	7.91	6.26	10.33	6.02	4.25
7.5 - 10	29.47	10.47	7.72	10.13	7.28	5.47



12 Ton Electric Cylinder (SCN) - Right Angle Motor

Part Number	Rated Load		Standard Stroke Lengths		Retracted Length	Speed		Max Stroke		Motor	
	lbs	N	in	mm	in (mm)	in/min	mm/min	in	mm	HP	kW
NL12-1783	14,715	65,454	6, 12, 18, 24, 36	152, 304, 457, 609, 914	16.75 (425) + (1.25 x stroke)	47.7	1,211	110	2,794	2	1.49
NL12-0481	14,887	66,215				176.7	4,489	110	2,794	7-1/2	5.50
NL12-0760	15,681	69,749				111.8	2,841	110	2,794	5	3.72
NL12-0543	16,805	74,752				156.5	3,975	110	2,794	7-1/2	5.50
NL12-4077	16,824	74,833				20.8	530	110	2,794	1	0.74
NL12-2844	17,604	78,303				29.9	759	110	2,794	1-1/2	1.12
NL12-0855	17,641	78,471				99.4	2,525	110	2,794	5	3.72
NL12-0611	18,910	84,116				139.1	3,533	107	2,718	7-1/2	5.50
NL12-1560	19,312	85,901				54.5	1,384	105	2,667	3	2.23
NL12-6401	19,811	88,117				13.3	337	104	2,642	3/4	0.56
NL12-0641	19,838	88,241				132.8	3,368	104	2,642	7-1/2	5.50
NL12-2539	20,955	93,208				33.5	850	101	2,565	2	1.49
NL12-3661	22,661	100,796				23.2	590	97	2,464	1-1/2	1.12
NL12-5602	23,117	102,824				15.2	385	96	2,438	1	0.74

Consult factory for additional speeds and capacities
 Stroke lengths are available in 1" increments, please contact factory for details