

FEATURES

- The piston cartridge pulse valves are especially designed for dust collector service applications, combining high flow, long life and extremely fast opening and closing to produce reliable and economical operation
- The angle bodies and special piston cartridge result in unique operating features required for dust collector service applications
- The high quality polyacetal (POM) piston cartridge guarantees a long operating life and a large temperature range
- The design with Quick Mount connections eliminates the time consuming thread cutting and sealing resulting in maximum flexibility while the valve will be anchored to the pipes
- Built-in silencers reduce noise and prevent foreign particles from entering the valve
- The integral operators are provided with epoxy moulded F-class coils. Various optional waterproof and explosionproof solenoids for use in potentially explosive atmospheres (gas & dust) according to Directive ATEX 94/9/EC can be mounted on the same basic valve (see pages 49 to 57)
- The components satisfy all relevant EC directives



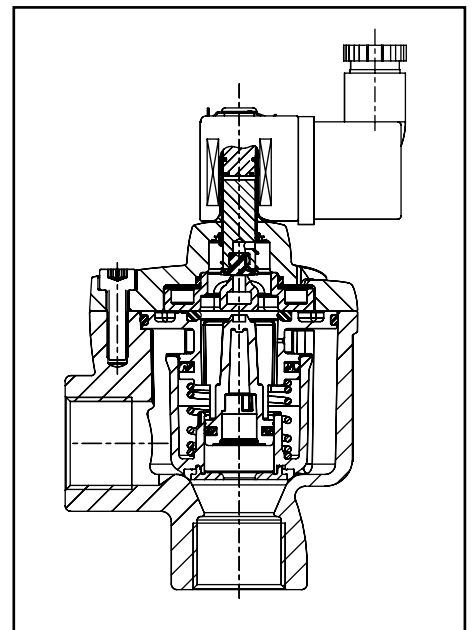
GENERAL

Differential pressure (PS) 0,3 - 8,5 bar [1 bar = 100kPa]
Ambient temperature range -20 to +85°C

fluid	temperature range (TS)	piston
air	-20 to +85°C	POM (polyacetal)

CONSTRUCTION

Body	Aluminium
Bonnet	Aluminium
Quick Mount clamps	Steel
Bolts	Steel
Core tube	Stainless steel
Core and plugnut	Stainless steel
Core spring	Stainless steel
Sealings & disc	NBR (nitrile)
Piston/cartridge	POM (polyacetal) / NBR (nitrile)
Shading coil	Copper
Coil insulation class	F
Connector	Spade plug (cable Ø 6 - 8 mm)
Connector specification	3 x DIN 46244
Electrical safety	IEC 335



ELECTRICAL CHARACTERISTICS

Standard voltages DC (=) : 24V
(Other voltages and 60 Hz on request) AC (~) : 24V - 115V - 230V / 50 Hz

coil type	nominal power ratings			ambient temperature range (°C)	protection
	inrush ~ (VA)	holding ~ (VA)	hot/cold = (W)		
CM22-FB CM22-FI (1)	14,5 -	11 -	6,3 15 / 22	-20 to +85	moulded IP65

SPECIFICATIONS

pipe size	orifice size (mm)	flow coefficient Kv		operating pressure differential (bar)		coil type		catalogue number		Quick Mount clamps
		(m³/h)	(l/min)	min.	max. (PS) air	~	= (1)	standard	ATEX dust II3D	
(G*) - Threaded pipe connection										
3/4	20	14	233	0,3	8,5	CM22-FB	CM22-FI	SC E353A811	SCDU E353A811	-
1	25	23	383	0,3	8,5	CM22-FB	CM22-FI	SC E353A821	SCDU E353A821	-
1 1/2	40	46	768	0,3	8,5	CM22-FB	CM22-FI	SC E353A831	SCDU E353A831	-
(Ø) - Quick Mount connection on inlet										
3/4	20	14	233	0,3	8,5	CM22-FB	CM22-FI	SC S353A811	SCDU S353A811	C117-281
1	25	23	383	0,3	8,5	CM22-FB	CM22-FI	SC S353A821	SCDU S353A821	C117-282
1 1/2	40	46	768	0,3	8,5	CM22-FB	CM22-FI	SC S353A831	SCDU S353A831	C117-290
(Ø) - Quick Mount connection on inlet & Outlet										
3/4	20	14	233	0,3	8,5	CM22-FB	CM22-FI	SC S353A711	SCDU S353A711	C117-281
1	25	23	383	0,3	8,5	CM22-FB	CM22-FI	SC S353A721	SCDU S353A721	C117-282
1 1/2	40	46	768	0,3	8,5	CM22-FB	CM22-FI	SC S353A731	SCDU S353A731	C117-290

(1) Intermittent duty, Relative Duty Time is 10%. Max. on time 1 min.

All leaflets are available on: www.asconumatics.eu

OPTIONS

- Waterproof enclosure with embedded screw terminal coil according to protection class IP67, CEE 10.
- Explosionproof solenoids for hazardous locations according to "ATEX" and national standards.
- Explosionproof and watertight solenoids according to "NEMA" standards.
- Plug with visual indication and/or peak voltage suppression.
- Electronic timer.

INSTALLATION

- The valves can be mounted in any position without affecting operation.
- Pipe connection identifiers are: G*= combination thread according to ISO 228/1 and ISO 7/1 or Ø for Quick Mount.
- For Quick Mount types tightness is achieved by the O-ring sealing on the pipes (3/4"=Ø26,4 to 27,4 and 1"=Ø33,2 to 34,2 and 1 1/2"=Ø47,8 to 48,8) according to ISO 4200.
- Other pipe threads are available on request.
- Installation/maintenance instructions are included with each valve.
- Spare parts kit and replacement coils are available.

DIMENSIONS (mm), WEIGHT (kg)

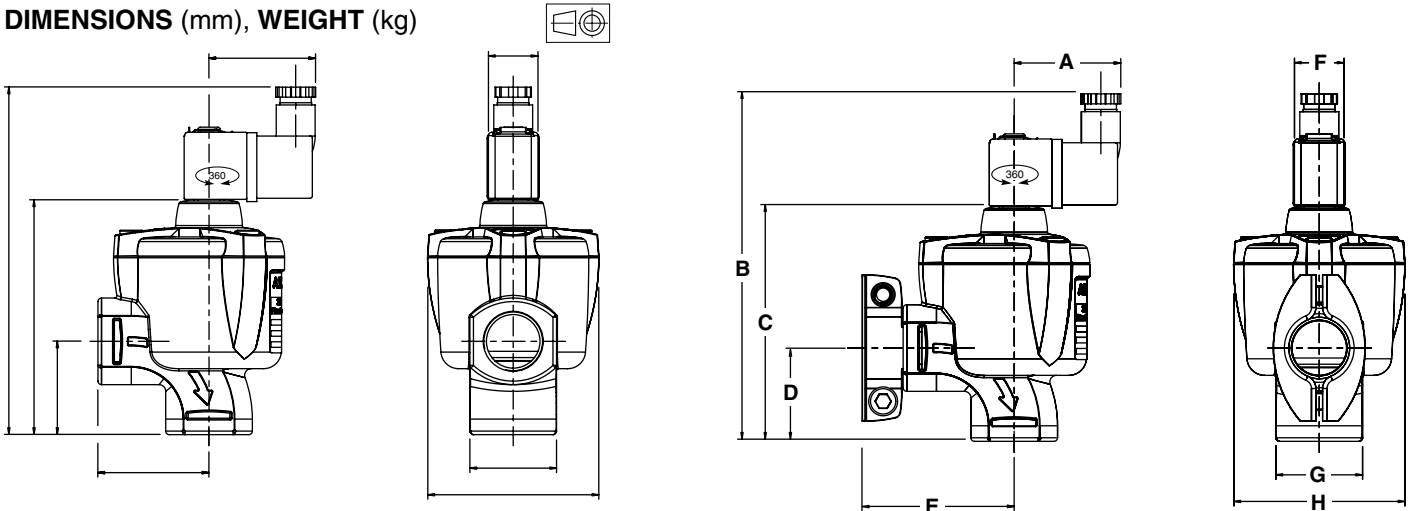


Fig. 1: Threaded type

Fig. 2: Quick Mount type (inlet only)

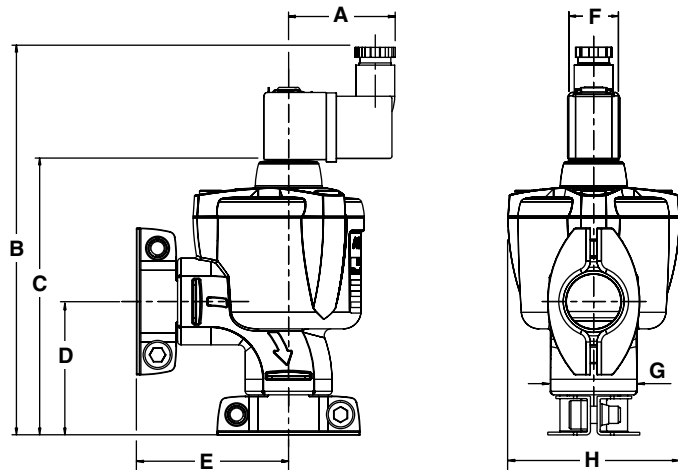


Fig. 3: Quick Mount type (inlet & outlet)

catalogue number	A	B	C	D	E	F	G	H	weight (1)	(C)
SC(DU) E353A811	48	156	106	42	50	22	39	77	0,52	Fig.1
SC(DU) E353A821	48	162	112	51	62	22	46	77	0,63	Fig.1
SC(DU) E353A831	48	191	141	60	71	22	62	112	1,17	Fig.1
SC(DU) S353A811	48	156	106	42	70	22	39	77	0,60	Fig.2
SC(DU) S353A821	48	162	112	51	83	22	46	77	0,69	Fig.2
SC(DU) S353A831	48	191	141	60	97	22	62	112	1,37	Fig.2
SC(DU) S353A711	48	176	126	62	70	22	39	77	0,68	Fig.3
SC(DU) S353A721	48	183	133	71	83	22	46	77	0,80	Fig.3
SC(DU) S353A731	48	217	167	80	97	22	62	112	1,58	Fig.3

(1) incl. coil and connector (C) construction type

All leaflets are available on: www.asconumatics.eu