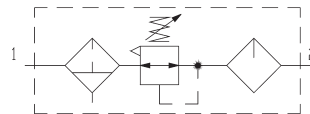
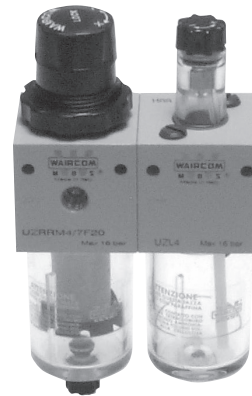
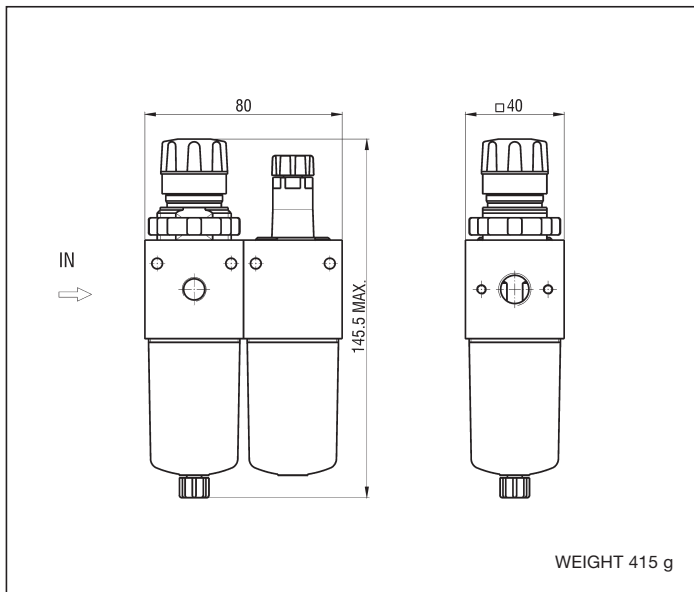


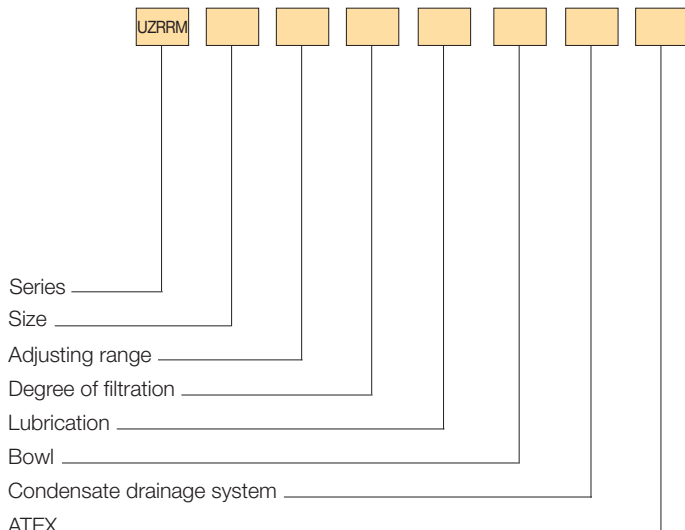
TECHNICAL DATA

Maximum pressure	16 bar
Working temperature	0 ÷ +50 °C (-10° C with dry air)
Fluid	Compressed air
Port size	G 1/4
Pressure gauge port size	G 1/8
Flow rate at 6 bar ΔP=1 bar	260 NI/min
Wall clamping screws	M4x50

DIMENSIONS AND WEIGHT - FR+L



ORDER KEY



SIZE	
4	G 1/4
DEGREE OF FILTRATION	
/3	0,2 ÷ 2 bar
/7	0,8 ÷ 9 bar
/5	0,4 ÷ 4 bar
/12	1,5 ÷ 12 bar
ADJUSTING RANGE	
F5	5 µm
F40	40 µm
F20	20 µm
LUBRICATION	
L	Oil mist (standard)
LM	Micro-oil mist
BOWL	
	Trasparent
/PM	Metallic protection
/TM	Metallic
CONDENSATE DRAINAGE SYSTEM	
	Manual
/SS	Semi-automatic
ATEX	
/EX Consistent with the ATEX directive II 2GD c T5 T100°C -10°C ≤ Ta ≤ 50°C*	

P.S.: Filters reducers + lubricators can be supplied without the relieving seal on request; the series becomes **UZRM**...