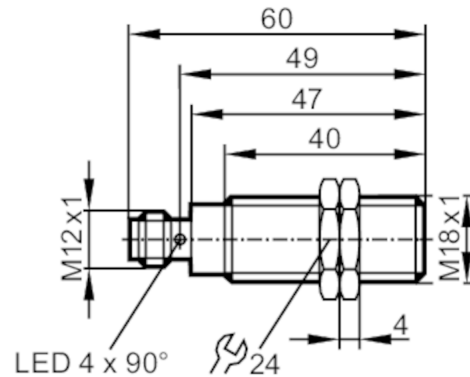


# MGT203



## Full-metal magnetic sensor

MGK3070-BPKG/AM/V4A/G/US



Made in Germany

### Electrical data

Operating voltage	[V]	10...30 DC
Current consumption	[mA]	< 10
Protection class		III
Reverse polarity protection		yes

### Outputs

Output function		normally open
Max. voltage drop switching output DC	[V]	2.5
Permanent current rating of switching output DC	[mA]	100
Switching frequency DC	[Hz]	5000
Electrical design		PNP
Short-circuit protection		yes
Overload protection		yes

### Range

Sensing range	[mm]	70; (referred to magnet M 4.0)
Response sensitivity	[mT]	0.9

### Accuracy / deviations

Hysteresis	[% of Sr]	1...10
------------	-----------	--------

### Operating conditions

Ambient temperature	[°C]	0...100
Protection		IP 65; IP 68; IP 69K

### Tests / approvals

EMC	EN 61000-4-2 ESD	4 kV CD / 8 kV AD
	EN 61000-4-3 HF radiated	10 V/m
	EN 61000-4-4 Burst	2 kV
	EN 61000-4-5 Surge	0,5 kV line to line, Ri: 2 Ohm
	EN 61000-4-6 HF conducted	10 V
	EN 55011	class B
	DIN ISO 11452-2	100 V/m

# MGT203



## Full-metal magnetic sensor

MGK3070-BPKG/AM/V4A/G/US

Mechanical data	
Weight [g]	49.8
Housing	threaded type
Dimensions [mm]	M18 x 1 / L = 60
Thread designation	M18 x 1
Materials	housing: stainless steel (1.4404 / 316L); sensing face: stainless steel (1.4404 / 316L); lock nuts: stainless steel; plug: PEI
Full-metal housing	yes

Displays / operating elements		
Display	switching status	4 x 90° LED, yellow

Accessories	
Accessories (supplied)	lock nuts: 2

Remarks	
Pack quantity	1 pcs.

### Electrical connection

Connector: 1 x M12; Kontakte: gold-plated



### Connection

