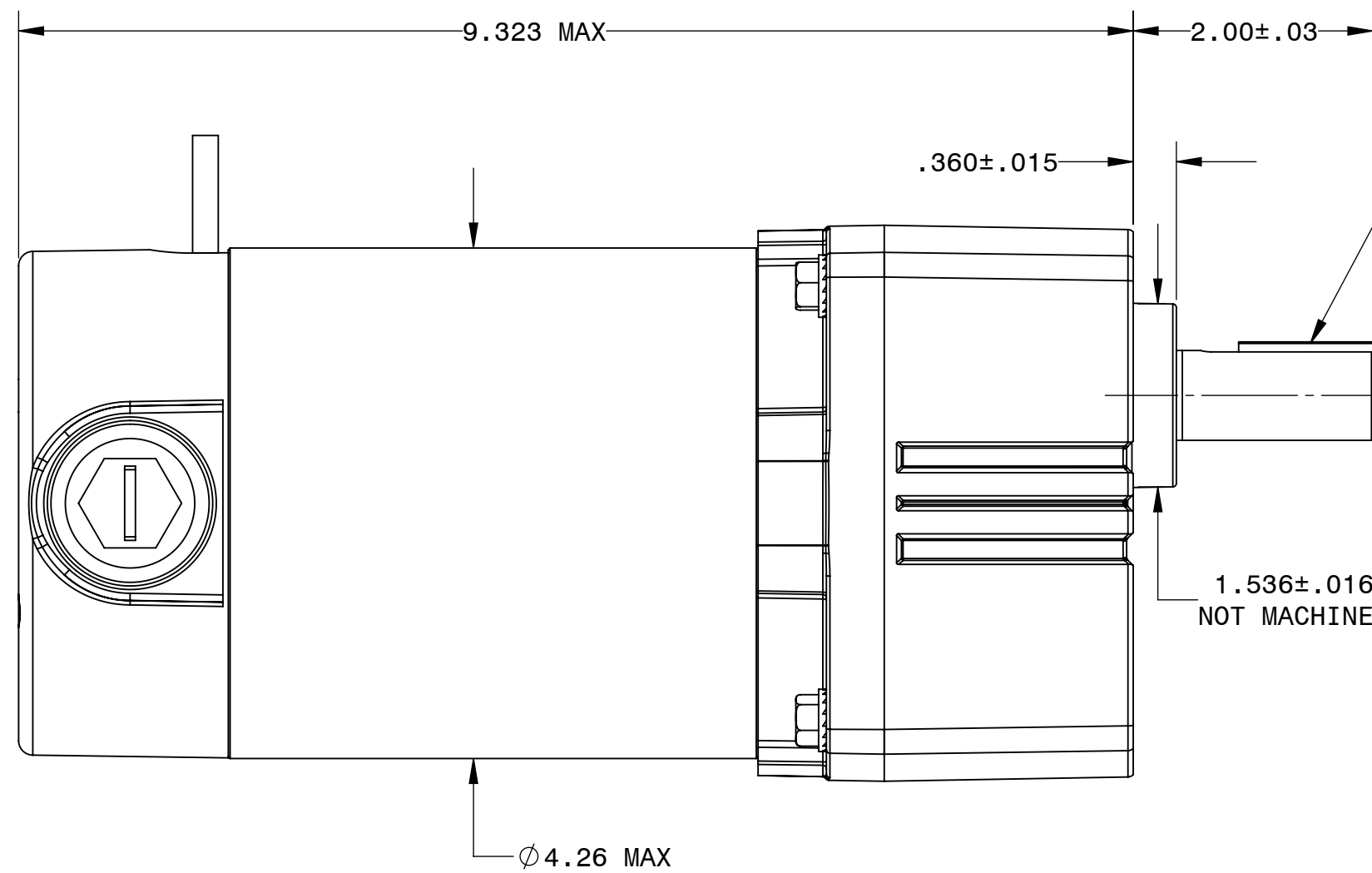
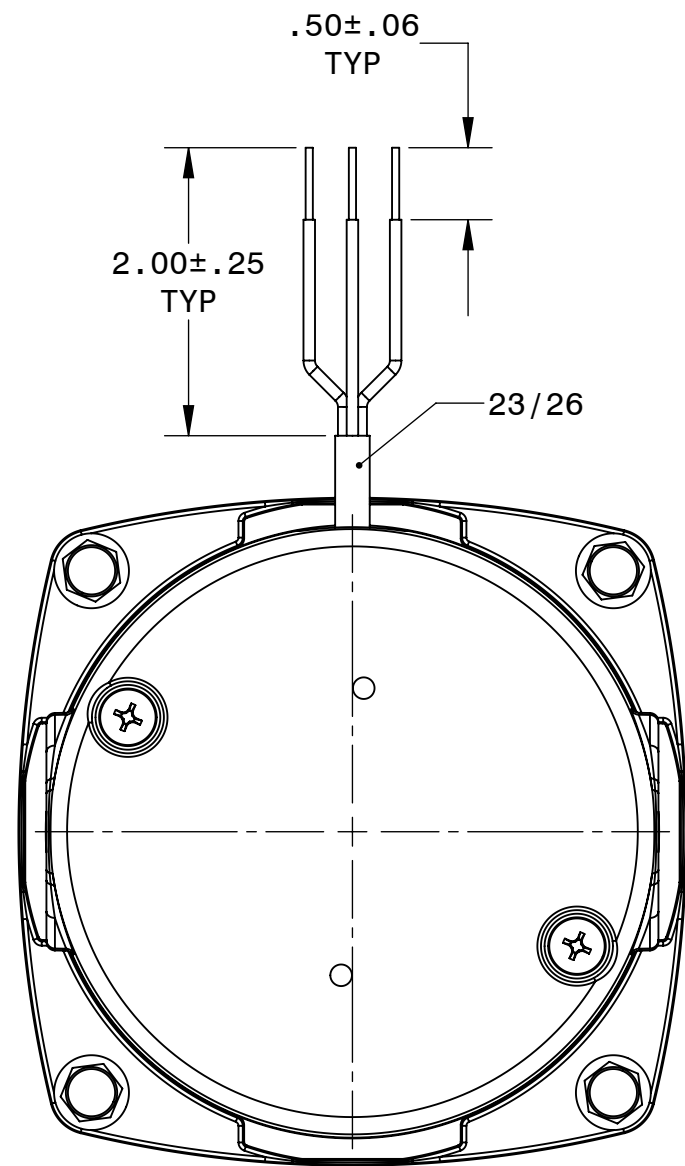




DESCRIPTION:  
GEARMOTOR 42A5BEPM-FX

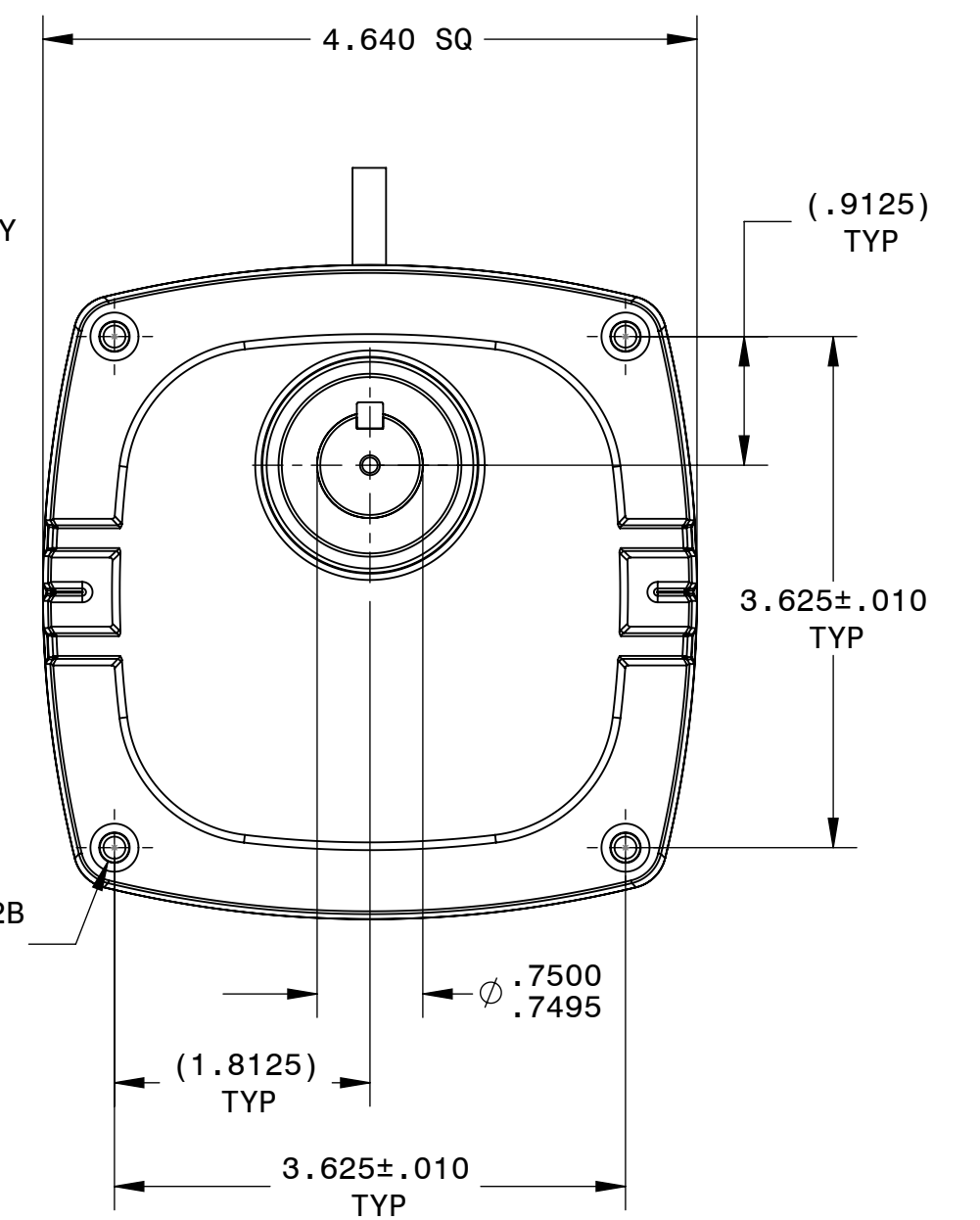
SHEET: 1/2	UNLESS OTHERWISE SPECIFIED:
SCALE: 3:4	UNITS ARE IN INCHES [mm]
C	TOLERANCES: .XX:±.01 .XXX:±.005
	ANGLES: X°:±3° X.X°:±0.5°



.1875/.1855 SQ  
X 1.12 LONG KEY

1.536±.016  
NOT MACHINED

[4] 1/4-28 UNF-2B  
.50 ↓ MIN



REPRESENTATIVE OF MODEL NUMBER(S) :

5040 5041 5042 5043 5044 5045 5046 5047 5048 5049 5067 5068 5069

