

Level and temperature switch

Nivotemp NT-M, NT-MD

In hydraulics and lubrication technology the fill level of oil tanks needs to be monitored. Here, modern factory automation requires compatible signals. The Nivotemp M series features a group of devices for both monitoring the level as well as the level and temperature in hydraulic or lubrication units.

For level monitoring, model **NT-M** can be equipped with up to four adjustable, bistable level contacts or max. two level and two different temperature contacts, Pt100 or analogue output (4-20mA) for the temperature.

Model **NT-MD** features two level contacts fixed to specification and an LED display to indicate the temperature with up to four programmable switching outputs, or optionally one continuously analogue output and one switching output.

The configuration of the unit can be password protected.

NT-M

Vessel connections G3/4, G1, flange or oval flange

Various plug options

Level and/or temperature control

Up to 4 switching outputs

Small, compact design

Proven, highly dynamic float system

Brass or stainless steel housing

NT-MD

Vessel connections G3/4, G1 or oval flange

Fixed fill level monitor switching outputs

Standardised VDMA-based menu structure

Up to four programmable temperature switching outputs

Alternatively, one continuous temperature output signal, plus one freely programmable switching output

Switching output configurable as window or hysteresis

Switching output configurable as frequency output (1-100 Hz)

Min./max. value memory, logbook



Technical Data NT-M

Version	MS	VA
Operating pressure:	max. 1 bar *	max. 1 bar
Operating temperature:	-20 °C to +80 °C	-20 °C to +80 °C
Float:	SK 161	SK 161
Min. fluid density:	0.80 kg/dm ³	0.80 kg/dm ³
Lengths (all versions):	280, 370, 500 mm (standard) variable to max. 1000 mm	
Weight at L=500 mm:	approx. 300 g	approx. 350 g

* max. atmospheric for PA oval flange

Material

Float:	NBR	NBR
Immersion tube:	Brass	1.4571
G3/4 connection:	Brass	1.4571
G1 connection:	Brass	Brass via adapter
Flange connection:	Aluminium	--
Oval flange:	PA	VA/brass via adapter

Level switching output	K8	W9
Max. number	4	2
Function:	NO/NC*	Change-over contact
Max. voltage:	230 V DC/V AC	48 V AC/V DC
Max. switching current:	0.5 A	0.5 A
Max. contact load:	10 VA	20 VA
Min. contact spacing:	40 mm	40 mm

*NO= falling NC contact / NC = falling NO contact

Optional temperature

Temperature contact:	TM xx
Max. voltage:	230 V DC
Max. switching current:	2 A
Max. contact load:	100 VA
Function:	NC NO
Switching point °C:	50/60/70/80 50/60/70/80
Switching point tolerance:	± 5 K ± 5 K
Max. hysteresis:	18 K ± 5 K 26/35/40/45 K ± 5 K

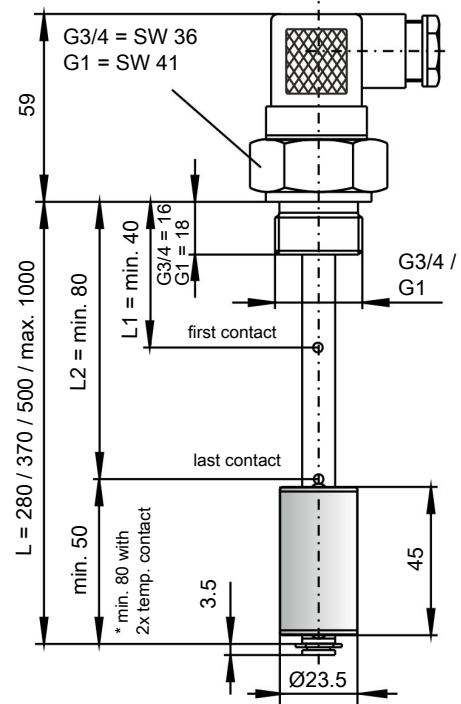
Temperature sensor

Pt100:	DIN EN 60 751 (tolerance ± 0.8 °C)
Analogue output:	See "Technical Data NT-M with Analogue Output for Temperature"

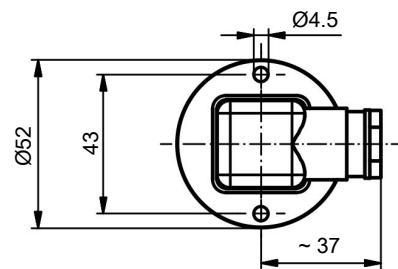
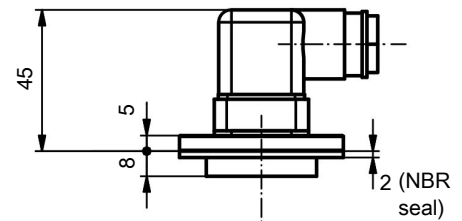
Adapter

OV:	Adapter to oval flange incl. seal and locking nut
G1:	Adapter G3/4 to G1

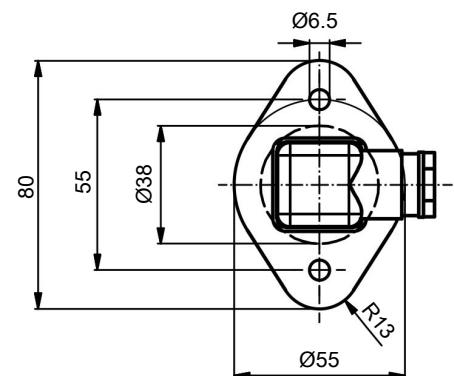
Dimensions



Flange style



Oval flange



NT-M ordering instructions

Model key

	NT M - XX - XX - XX - XX - XX - XX - A - B - XX																																					
Model designation																																						
Version																																						
MS = brass																																						
VA = stainless steel																																						
Connection																																						
G3/4																																						
G1*																																						
FL*																																						
OV*																																						
Plug**																																						
M3																																						
GS4***																																						
M12																																						
C7***																																						
Length																																						
280																																						
370																																						
500																																						
Variable (please specify)																																						
Number of level contacts																																						
1-4																																						
Contact type																																						
K8 NC/NO																																						
W9 change-over contact (max. 2)																																						
		Options OV = oval flange (for G3/4) G1 = adapter G3/4 to G1 2nd Temperature contact (double temperature contact only) <table border="0"> <tr> <td><i>NC contact</i></td> <td><i>NO contact</i></td> <td></td> </tr> <tr> <td>TM50NC</td> <td>TM50NO</td> <td>= 50 °C</td> </tr> <tr> <td></td> <td>TM55NO</td> <td>= 55 °C</td> </tr> <tr> <td>TM60NC</td> <td>TM60NO</td> <td>= 60 °C</td> </tr> <tr> <td>TM70NC</td> <td>TM70NO</td> <td>= 70 °C</td> </tr> <tr> <td>TM80NC</td> <td>TM80NO</td> <td>= 80 °C</td> </tr> </table> 1st temperature signal Pt100**** = temperature sensor Temperature contact <table border="0"> <tr> <td><i>NC contact</i></td> <td><i>NO contact</i></td> <td></td> </tr> <tr> <td>TM50NC</td> <td>TM50NO</td> <td>= 50 °C</td> </tr> <tr> <td></td> <td>TM55NO</td> <td>= 55 °C</td> </tr> <tr> <td>TM60NC</td> <td>TM60NO</td> <td>= 60 °C</td> </tr> <tr> <td>TM70NC</td> <td>TM70NO</td> <td>= 70 °C</td> </tr> <tr> <td>TM80NC</td> <td>TM80NO</td> <td>= 80 °C</td> </tr> </table>	<i>NC contact</i>	<i>NO contact</i>		TM50NC	TM50NO	= 50 °C		TM55NO	= 55 °C	TM60NC	TM60NO	= 60 °C	TM70NC	TM70NO	= 70 °C	TM80NC	TM80NO	= 80 °C	<i>NC contact</i>	<i>NO contact</i>		TM50NC	TM50NO	= 50 °C		TM55NO	= 55 °C	TM60NC	TM60NO	= 60 °C	TM70NC	TM70NO	= 70 °C	TM80NC	TM80NO	= 80 °C
<i>NC contact</i>	<i>NO contact</i>																																					
TM50NC	TM50NO	= 50 °C																																				
	TM55NO	= 55 °C																																				
TM60NC	TM60NO	= 60 °C																																				
TM70NC	TM70NO	= 70 °C																																				
TM80NC	TM80NO	= 80 °C																																				
<i>NC contact</i>	<i>NO contact</i>																																					
TM50NC	TM50NO	= 50 °C																																				
	TM55NO	= 55 °C																																				
TM60NC	TM60NO	= 60 °C																																				
TM70NC	TM70NO	= 70 °C																																				
TM80NC	TM80NO	= 80 °C																																				

* not with VA version
 ** see "Connector"
 *** only available with G3/4 connector
 **** Cannot be combined with temperature contact

Ordering example

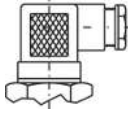
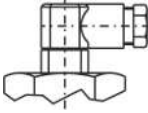
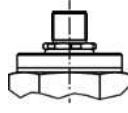

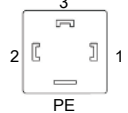
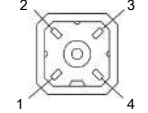
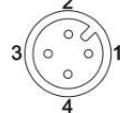
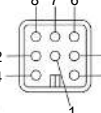
You require: Level switch with G3/4 connection, brass version, length L= 500 mm, 2 level switches, 1st contact 100 mm NC, 2nd contact 450 mm NO

Order NT-M-MS-G3/4-M3/500-2K-100NC-450NO

NT-M Accessories

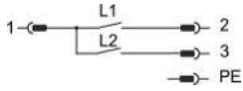
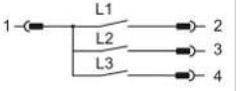
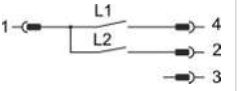
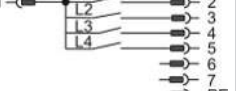
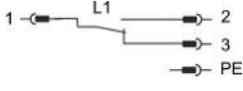
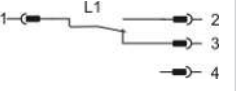
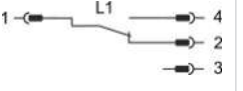
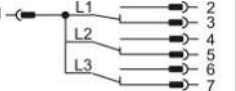
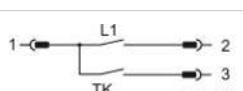
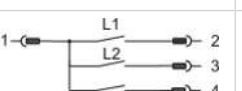
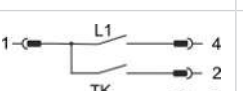

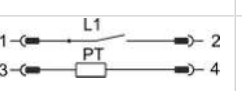
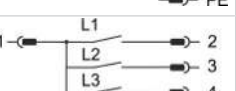
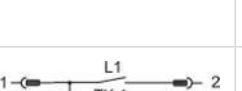
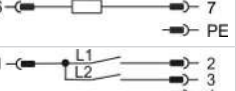
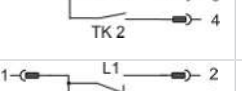


Item no.	Description
9144 05 0010	Connecting cable M12x1, 4-pin, 1.5 m, angular coupling and straight plug
9144 05 0046	Connecting cable M12x1, 4-pin, 3.0 m, angular coupling and straight plug
9144 05 0047	Connecting cable M12x1, 4-pin, 5.0 m, angular coupling and strands

NT-M connector

Connector	M3	GS4	M12	C7
G3/4	X	X	X	X
G1	X	-*	X	-*
Flange	X	-	X	-
OV	X	-*	X	-*
* G3/4 connection with respective adapter				
Dimensions				
Connection schematic				
Number of pins	3-pin + PE	4-pin	4-pin	7-pin + PE
DIN EN	175301-803		61076-2-101	175201-804
Max. voltage	230 V AC / DC*	30 V DC	30 V DC	230 V AC / DC*
Degree of protection	IP65	IP65	IP67**	IP65
Cable fitting	PG 11	PG 7		PG 11
Max. number of contacts				
Level/temp. contacts	1 x K8, 1 x TK	2 x K8, 1 x TK	1 x K8, 1 x TK	3 x K8, 1 x TK
Level contacts only	2 x K8 1 x W9	3 x K8 1 x W9	2 x K8 1 x W9	4 x K8 3 x W9

*Max. 48 V AC / V DC for change-over contact. ** With moulded cable box.

Standard pin assignment NT-M

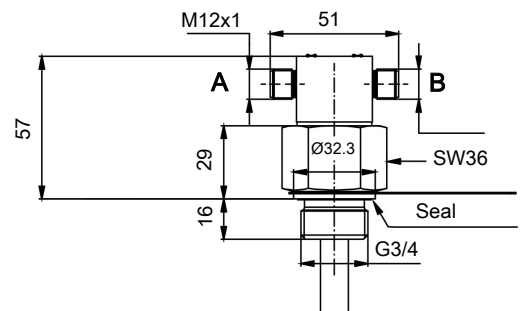
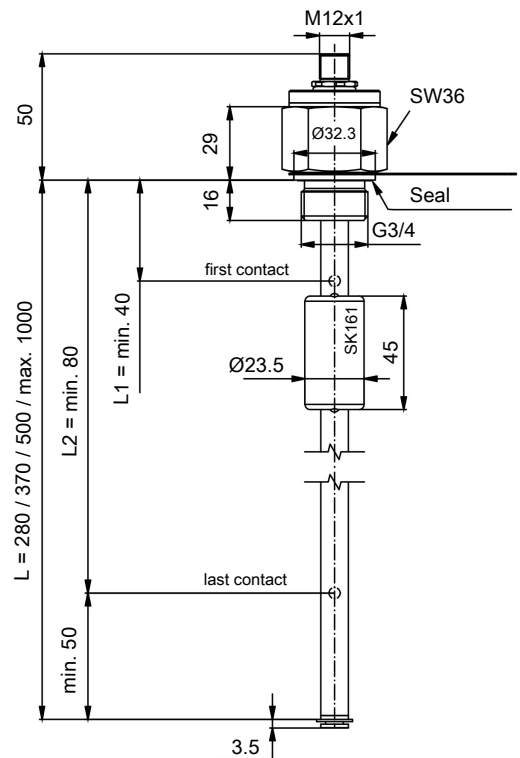
	M3	GS4	M12	C7
K8 Level contact(s)				
W9 Level contact(s)				
K8 Level contact(s) and temperature contact				
K8 / Pt100 Level- and temperature sensor				
K8 Level- and temperature con- tact(s)				
W9 Level contact(s) and temperature contact				
W9 / Pt100 Level- and temperature sensor				

The pin assignments shown always show the max. population possible for the respective plug connection.

Technical Data NT-M with analogue output for temperature

Version	MS
Material	
Float:	NBR
Immersion tube:	Brass
G3/4 connection:	Brass
Level switching output	
Max. number:	2
Function:	NO/NC*
Max. voltage:	30 V DC
Max. switching current:	0.5 A
Max. contact load:	10 VA
Min. contact spacing:	40 mm
*NO= falling NC contact / NC = falling NO contact	
Optional temperature	
Temperature	KT
Detector:	PT100 Class B, DIN EN 60 751
Measuring range*:	0 °C to 100 °C
Operating voltage (UB):	10-30 V DC
Outlet:	4-20 mA
Max. burden Ω:	= (UB-7.5 V)/0.02 A
*Other measuring ranges available upon request	
Adapter	
OV:	Adapter to oval flange incl. seal and locking nut
G1:	Adapter G3/4 to G1

Dimensions



Connector NT-M with analogue output for temperature

Connector	M12	2 x M12
Number of pins	4-pin	2 x 4-pin
DIN EN	61076-2-101	175201-804
Connection schematic	<p>1 x level contact and analogue output</p>	<p>Connector A: +1 (L1) to pin 4, pin 2, pin 3</p> <p>Connector B: +1 (KT) to pin 2, pin 3, pin 4</p>
	<p>2 x level contact and analogue output</p>	<p>Connector A: +1 (L1) to pin 4, pin 2, pin 3</p> <p>Connector B: +1 (KT) to pin 2, pin 3, pin 4</p>

Ordering instructions NT-M with analogue output for temperature

Model key

	NT M	MS	G3/4	XX	XX	XX	XX	KT	XX	
Model designation										
Version										
MS = brass										
Connection										
G3/4										
Plug										
M12										
2M12										
Length										
280										
370										
500										
Variable (please specify)										
Options										
OV = oval flange (for G3/4)										
G1 = adapter G3/4 to G1										
Analogue output										
Temperature (4-20 mA)										
Contact type										
K8 NC/NO										
Number of level contacts										
1 or 2										

Ordering example

You require: Level switch with G3/4 connector, brass version, length 500 mm,
 2 x level contact, 100 mm NC, 450 mm NO
 Temperature output 0-100 °C = 4-20mA and 2 x M12 connector

Order NT M-MS-G3/4-2M12/500-2K-KT-100NC-450NO

Technical Data NT-MD

Version	MS
Operating pressure:	max. 1 bar
Operating temperature:	-20 °C to +80 °C
Float:	SK 161
Min. fluid density:	0.80 kg/dm ³
Lengths:	280, 370, 500 mm (standard) variable to max. 1000 mm
Weight at L=280 mm:	approx. 500 g

Material

Float:	NBR
Immersion tube:	brass
G3/4 connection:	brass

Level switching output

K8

Number max.:	2 (not adjustable)
Function:	NO/NC*
Max. voltage:	30 V DC/V AC
Max. switching current:	0.5 A
Max. contact load:	10 VA
Min. contact spacing:	40 mm

*NO= falling NC contact / NC = falling NO contact

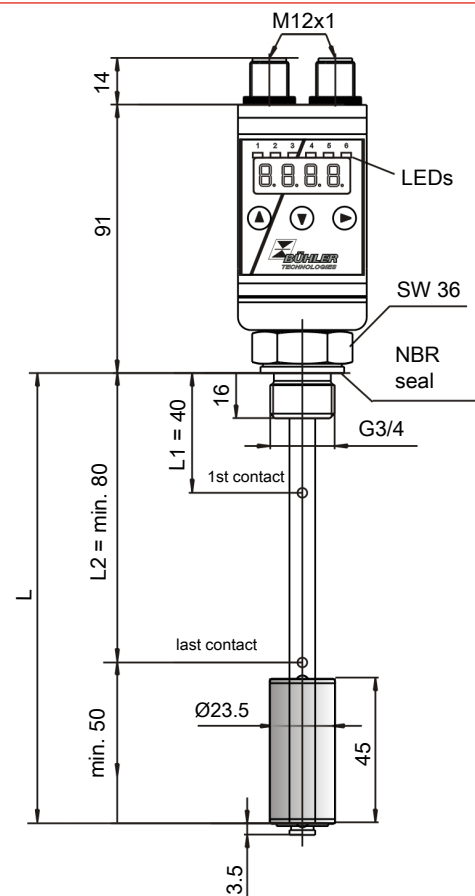
Temperature display electronics

Display:	4 character 7 segment LED
Operation:	via 3 keys
Memory:	min./max. data memory
Starting current input:	approx. 100 mA for 100 ms
Current input during operation:	approx. 50 mA (without current- and switching outputs)
Supply voltage (U _B):	10–30 V DC (nominal voltage 24 V DC)
Ambient temperature:	-20 °C to +70 °C
Temperature display units:	°C/°F
Display range:	-20 °C to +120 °C
Alarm setting range:	0 °C to 100 °C
Display accuracy:	± 1 % from end value
Measuring principle:	Pt 100 Class B, DIN EN 60751, resolution 0.5 °C

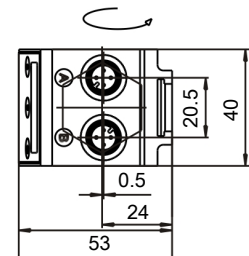
Adapter

OV:	adapter to oval flange incl. seal and locking nut
G1:	adapter G3/4 to G1

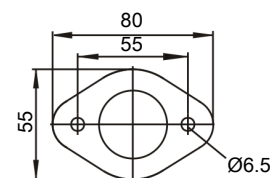
Dimensions



Housing swivels 270°



Oval flange



Temperature outputs NT-MD

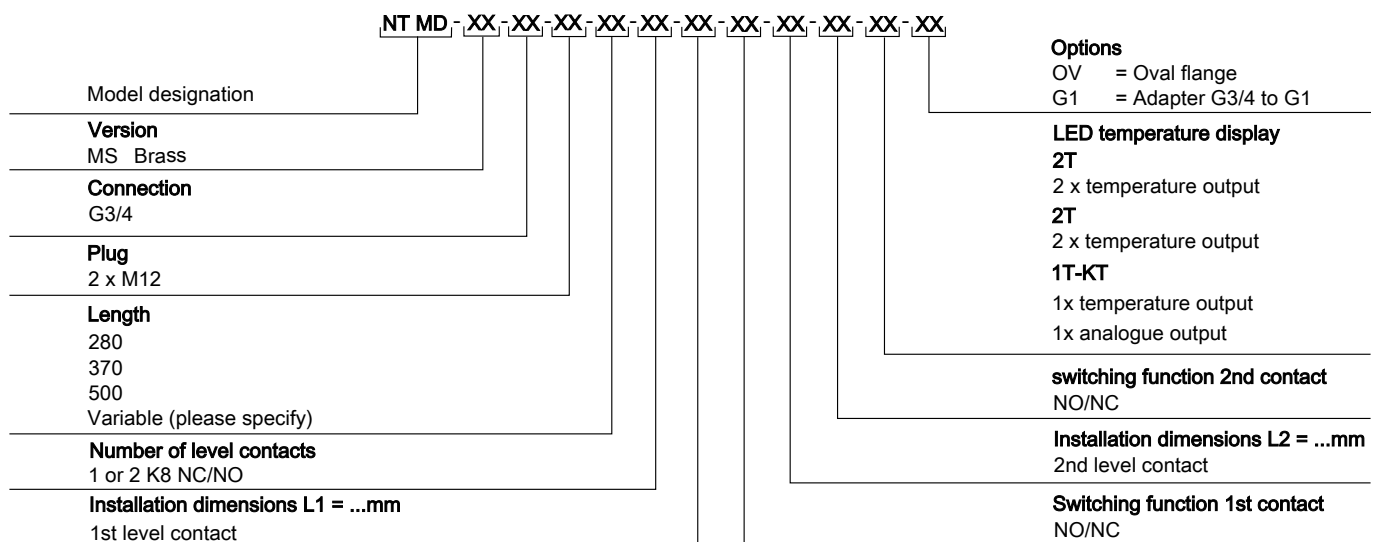
Choose from the following temperature outputs:

	2T	4T	1T-KT
Plug (base)	2 x M12 – 4-pin	1 x M12 – 4-pin 1 x M12 – 8-pin	2 x M12 – 4-pin
Switching outputs	2 x freely programmable*	4 x freely programmable	1 x freely programmable*
Alarm memory	1 switching output assignable to alarm logbook	1 switching output assignable to alarm logbook	with 1x assignable to alarm logbook
max. switching current	0.5 A per output continuous short-circuit protected	0.5 A per output continuous short-circuit protected	0.5 A per output continuous short-circuit protected
Contact load	max. 1 A total	max. 1 A total	max. 1 A total
Analogue output	0 – 100 Hz	0 – 100 Hz	1 x 4 – 20 mA, 2-10 V DC, 0-10 V DC, 0-5 V DC
Max. burden Ω as current output			= $(U_b - 8 V) / 0.02 A$
Min. input load as voltage output			10 k Ω

*also programmable as frequency output

NT-MD ordering instructions

Model key

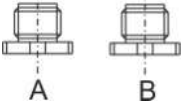
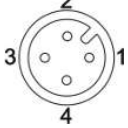
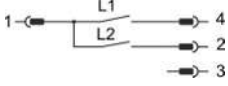
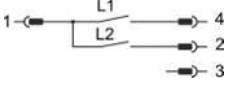
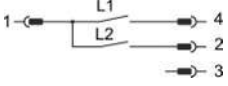


Ordering example

You require: Level switch with G3/4 connection, brass, length L= 500 mm, 2 level contacts, 1st contact 100 mm NC, 2nd contact 450 mm NO, Temperature analysis with display and 2 programmable outputs.

Order NT-MD-MS-G3/4-2M12 / 500-2K-100NC-450NO-2T

Standard pin assignment NT-MD

Standard pin assignment	2T	4T	1T-KT
 <p>A B</p>	<p>Level contact(s) 2x temperature output</p>	<p>Level contact(s) 4x temperature output</p>	<p>Level contact(s) 1x temperature output 1x analogue output</p>
<p>Plug A level</p> 			
<p>Plug B temperature</p> 