

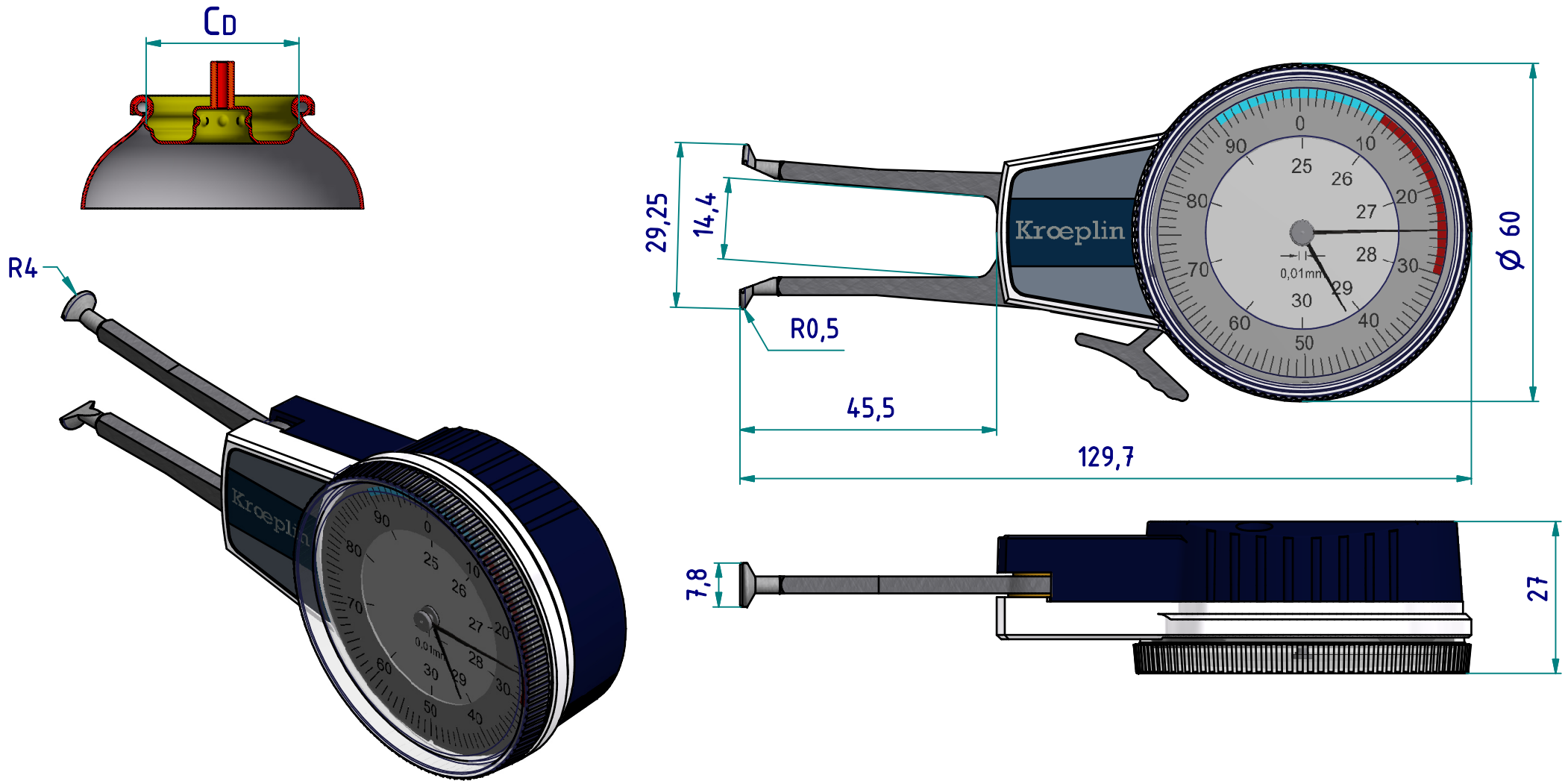
data sheet: A2100

measurement of the
Clinch - diameter C_D

Kroepelin GmbH
Gartenstraße 50
D-36381 Schlüchtern

Tel.: 06661 86 0
Fax: 06661 86 39
Mail: sales@kroepelin.com
Web: www.kroepelin.com

Kroepelin
Längenmesstechnik



subject to technical alterations

type: aerosol
range: 25 - 29 mm
range of indication: 23,75 - 29,25 mm
digital step:
scale interval: 0,01 mm
measuring force: 1,4 - 2,2 N
weight: ca.110 g

acceptable deviations
VDI/VDE/DGQ 2618 Bl. 12.1/13.1)
max. permissible
errors "G": 0,03 mm
repeatability "r": 0,02 mm
reference temperature: 20° C
operation temperature: 10° C - 30° C
storage temperature: -10° C - 50° C

scale: 1:1
drawing-nr.: IDW-A2100-DB_e
date of issue: 23.11.2010
name: J.Heuser
revision status: 2134 / MHe
revision date: 18.02.2016