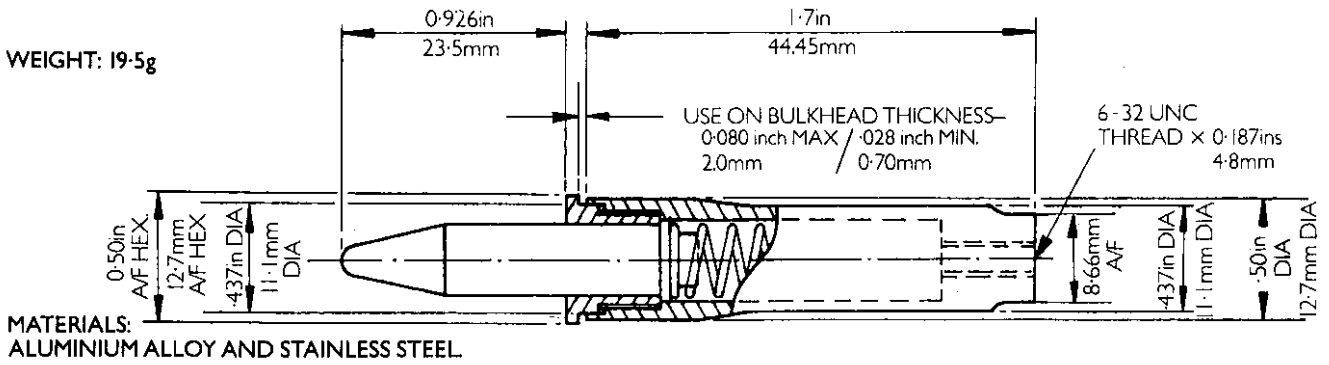
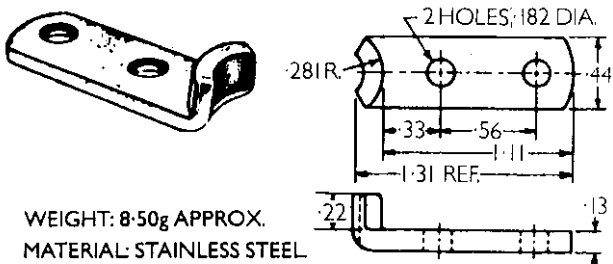


SPRING LOADED REAR HOLD DOWN - PART NO. SP 1773A

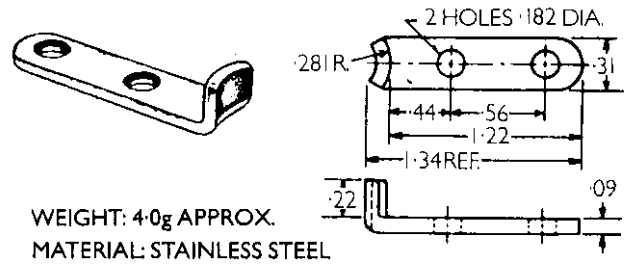


FRONT HOOK PART NO. 43-9507-01-901



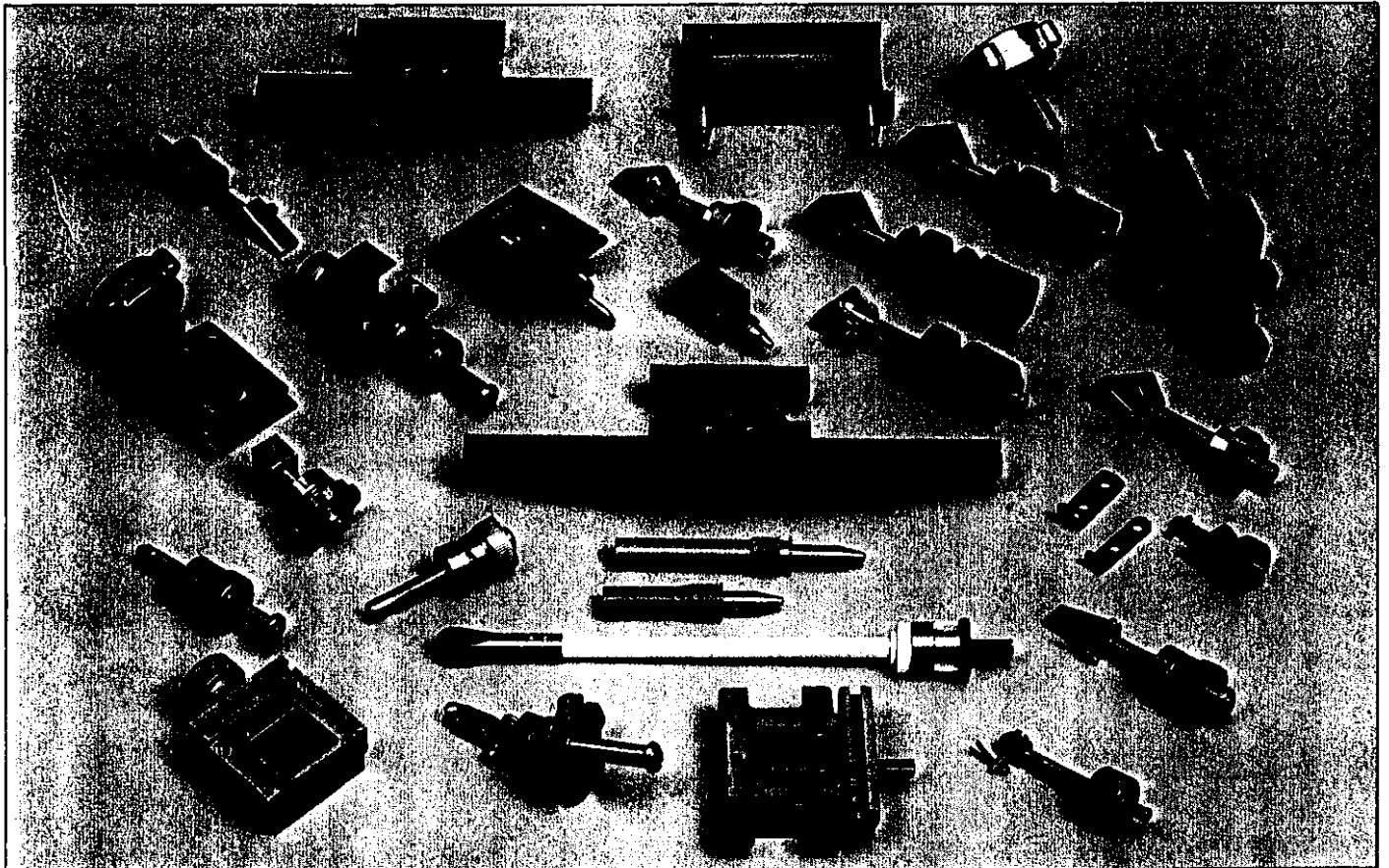
PART NO: 43-9507-05-901 IS HOOK WITHOUT FIXING HOLES

FRONT HOOK PART NO. 43-0913-00-901



PART NO. 43-0913-01-901 IS HOOK WITHOUT FIXING HOLES

ALL DIMENSIONS IN INCHES



A selection of our hardware – including those detailed in this brochure – front hold-downs (both self locking and wire locked), torque limiting inserter/extractor front hold-downs, lightweight inserter/extractor front hold-downs, sprung loaded rear dowels, torque limiting knobs, case hooks.

Apply to one of our offices for further information regarding installation data and performance.