

B

GENERAL FEATURES

- **TORK series S6010 direct acting stainless steel solenoid valves are 2/2 way normally closed and have small body size.**
- **Square body**
- **High pressure model available on request**
- Suitable for non-aggressive liquid (water , light oil (2E) etc...), gaseous fluids (air, inert gases etc...)
- Working Temperature: -10°C ; +160°C
- Not suitable for use with dangerous fluids listed in Group 1
- **Don't require any differential pressure**
- Compact and low weight valve enabling easy and quick installation
- High reliability, quality and performance, long life , corrosion resistance
- Wide pressure ratings , range of flow rate and orifice options
- **On request; solenoid valve can have 2 mounting holes at the bottom of the body.**
- Ideal for the automatic control of media in a wide range of applications.
- TORK solenoid valves satisfy relevant 97/23/EC, Pressure Equipment Directive (PED) and 2006/95/EEC Low Voltage Directive (LVD).
- Coils interchangeable
- The flow factor Kv of each valve is indicated , so that the flow Q can be calculated as a function of pressure
- The solenoid valves must be used with filtered fluids.
- Solenoid valve can be mounted in any position without affecting operation ; vertical with coil upwards preferred.
- Standard pipe connection is G (BSP) (ISO 228-1) and on request other pipe connections are available (NPT (ANSI 1.20.3))

ELECTRICAL CHARACTERISTICS

Continuous Duty : ED %100
Coil Insulation Class : H (1800C)
Coil Impregnation : Polyester Fiber Glass
Coil Encapsulation Material : Fiber Glass Reinforced
Ambient Temperature : from -10°C ; +60°C
Protection Degree : IP 65 (EN 60529) with coil duly fitted with the plug connector
Electric Plug Connection : DIN 46340 3-poles connectors (DIN 43650)
Connector Specification : ISO 4400 / EN 175301-803 , Form A, Spade plug (Cable Ø 6-8 mm)
Electrical Safety : IEC 335
Standard Voltages : For AC 12V , 24V , 48V , 110V , 230V
For DC 12V , 24V , 48V , 110 V

Other voltages on request
Voltage Tolerances : For AC %-15 ; %+10 , For DC %-5 ; %+10
Frequency : 50 Hz, other frequencies on request (60 Hz)
On request connector with LED
Specify coil voltage with order

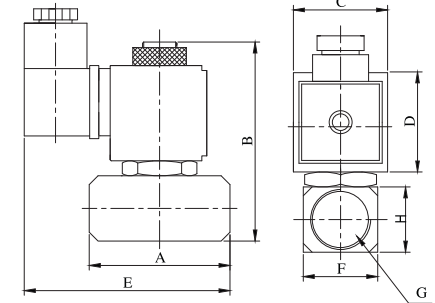
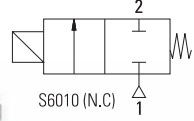
MATERIALS IN CONTACT WITH FLUID

Body : Stainless Steel
Internal Parts : Stainless Steel
Sealing : PTFE
Shading Ring : Copper
Seats : Stainless Steel
Core Tube : Stainless Steel
Springs : Stainless Steel
On request sealing can be FPM (VITON)

TECHNICAL FEATURES

Max Viscosity : 5°E (~37cSt or mm²/s)
Response Time : Opening Time:30 ms,
Closing Time :30 ms
Maximum Allowable Pressure:25 bar
Fluid Temperature for FPM from -10°C; +160°C

Normally Closed



Dimensions (mm)

	G	A	B	C	D	E	F	H
1/8"	44.1	76.5	32	39	77.4	24.5	24.5	
1/4"	44.1	76.5	32	39	77.4	24.5	24.5	
3/8"	44.1	76.5	32	39	77.4	24.5	24.5	

Valve Type / Order no	New Valve Type / Order no	Connection Size	Orifice size	Pressure min / max		KV	Fluid Temperature		Seal	Weight
				bar	bar		min	°C max		
T-SK	S6010	G	mm	bar	bar	lt/min	min	°C max		(kg)
T-SK 600	S6010.00.018	1/8"	1.8	0	16	1.6	-10	160	PTFE	0.44
T-SK 600.2,5	S6010.00.025	1/8"	2.5	0	12	3.2	-10	160	PTFE	0.44
T-SK 600.3	S6010.00.030	1/8"	3	0	10	4.6	-10	160	PTFE	0.44
T-SK 600.4	S6010.00.040	1/8"	4	0	9	6.4	-10	160	PTFE	0.44
T-SK 600.5	S6010.00.050	1/8"	5	0	7	9.2	-10	160	PTFE	0.44
T-SK 600.6	S6010.00.060	1/8"	6	0	6	11	-10	160	PTFE	0.44
T-SK 601	S6010.01.018	1/4"	1.8	0	16	1.6	-10	160	PTFE	0.43
T-SK 601.2,5	S6010.01.025	1/4"	2.5	0	12	3.2	-10	160	PTFE	0.43
T-SK 601.3	S6010.01.030	1/4"	3	0	10	4.6	-10	160	PTFE	0.43
T-SK 601.4	S6010.01.040	1/4"	4	0	9	6.4	-10	160	PTFE	0.43
T-SK 601.5	S6010.01.050	1/4"	5	0	7	9.2	-10	160	PTFE	0.43
T-SK 601.6	S6010.01.060	1/4"	6	0	6	11	-10	160	PTFE	0.43
T-SK 602	S6010.02.050	3/8"	5	0	7	9.2	-10	160	PTFE	0.42
T-SK 602.6	S6010.02.060	3/8"	6	0	6	11	-10	160	PTFE	0.42
T-SK 602.7	S6010.02.070	3/8"	7	0	5	12.4	-10	160	PTFE	0.42
T-SK 602.8	S6010.02.080	3/8"	8	0	3	13.5	-10	160	PTFE	0.42
T-SK 602.9	S6010.02.090	3/8"	9	0	2	16	-10	160	PTFE	0.42
T-SK 602.10	S6010.02.100	3/8"	10	0	1	19	-10	160	PTFE	0.42

Useful Informations

1 bar : 14,5 PSI : 10 mH2O : 10 N/cm2 : 1 kg/cm2 : 100000 Pa , 1 PSI : 69 mbar,1 m3/h : 4,405 GPM : 16,7 L/d 1 Gallon / minute : 0,227 m3/h, 0°C : 89,6 F
Sealings:, FPM (VITON) : Fluoro-Carbon Elastomer , PTFE : Polytetrafluorethylene