

Solid Clamps – Base clamps

Order instruction:

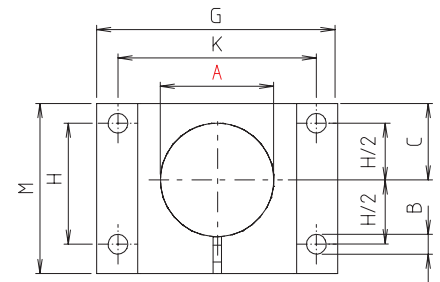
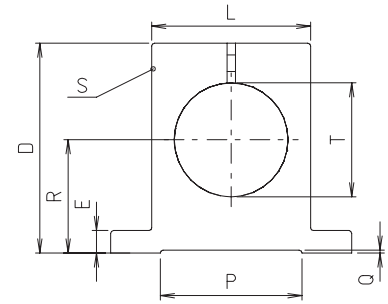
- Standard equipment with stainless steel screws
- Clamping lever see accessories page 219

On request:

- Black anodized



FS - quad®

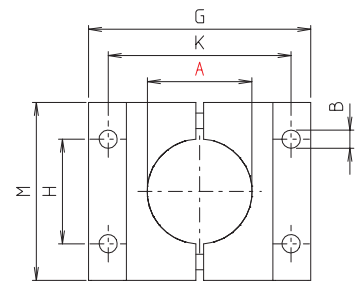
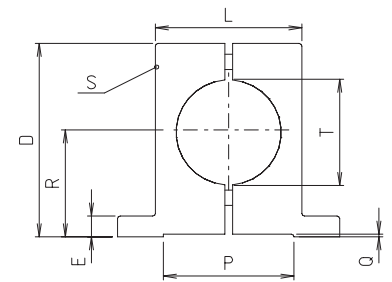


[mm]

Code No.	Type	A	B	C	D	E	G	H	K	L	M	P	Q	R	S	T	m [g]
53300000030	FS 30	30,1	7	21	58	6	70	28	56	42	49	35	1	30	M6x25	29,5	182
53400000030	FS 40	40,1	7	28	74	8	85	40	70	56	62	50	1	40	M6x35	39,5	369
53500000030	FS 50	50,2	9	35	92	10	110	50	90	70	77	60	1	50	M8x45	49,5	738
53600000030	FS 60	60,2	9	42	112,5	12	137	60	110	85	90	71	2	60	M8x60	60,2	1500



FR - quad®



[mm]

Code No.	Type	A	B	D	E	G	H	K	L	M	P	Q	R	S	T	m [g]
53300009030	FR 30	30,1	7	58	6	70	28	56	42	56	35	1	30	M6x25	29,5	223
53400009030	FR 40	40,2	7	74	8	85	40	70	56	68	50	1	40	M6x35	39,5	431
53500009030	FR 50	50,3	9	92	10	110	50	90	70	84	60	1	50	M8x45	49,5	857
53600009030	FR 60	60,2	9	112,5	12	137	80	120	97	105	71	2	60	M8x60	60,3	–
53800009030	FR 80	80,6	11	142	16	156	80	135	112	126	80	2	80	M10x70	80,6	2858