

# unidirectional pump - series XV

**XV-OP**

HY TYPE PUMP

Ø22 BODY-SHAPED FLANGE - MILLED SHANK

**X 0 P 06 22 B B B A**

Series	X	series XV
Group	0	group 0
Category	P	unidirectional pump
Displacement	06	0.76
Flange	22	Ø22 HY right rotation
Shaft	B	CF001 - Milled shank ø7 - thk.5
Body	IN	B inlet - 1/4" GAS
	OUT	B outlet - 1/4" GAS
Cover	A	standard



XP017

Technical data table

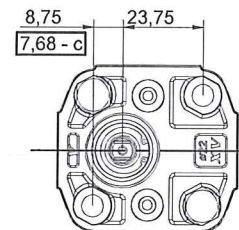
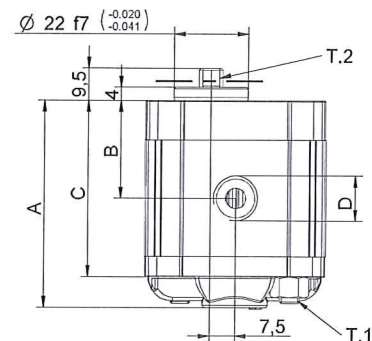
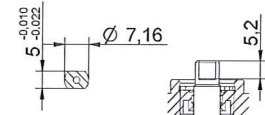
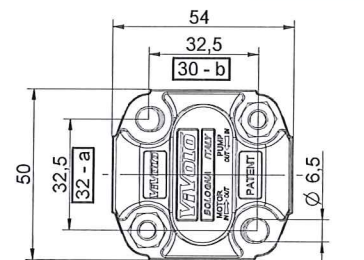
TYPE	Displacement cm3/rev	Max. Pressure		CODE			
		P1 bar	P3 bar	Left rotation		Right rotation	
				Left rotation	Right rotation	Left rotation	Right rotation
XV-0P/0.17	0,16	220	260	X 0 P 01 21 B B B A	X 0 P 01 22 B B B A	X 0 P 01 21 B B B A	X 0 P 01 22 B B B A
XV-0P/0.25	0,24	220	260	X 0 P 02 21 B B B A	X 0 P 02 22 B B B A	X 0 P 02 21 B B B A	X 0 P 02 22 B B B A
XV-0P/0.45	0,45	220	280	X 0 P 04 21 B B B A	X 0 P 04 22 B B B A	X 0 P 04 21 B B B A	X 0 P 04 22 B B B A
XV-0P/0.57	0,56	220	280	X 0 P 05 21 B B B A	X 0 P 05 22 B B B A	X 0 P 05 21 B B B A	X 0 P 05 22 B B B A
XV-0P/0.76	0,75	220	280	X 0 P 06 21 B B B A	X 0 P 06 22 B B B A	X 0 P 06 21 B B B A	X 0 P 06 22 B B B A
XV-0P/0.98	0,92	220	280	X 0 P 07 21 B B B A	X 0 P 07 22 B B B A	X 0 P 07 21 B B B A	X 0 P 07 22 B B B A
XV-0P/1.27	1,26	220	280	X 0 P 09 21 B B B A	X 0 P 09 22 B B B A	X 0 P 09 21 B B B A	X 0 P 09 22 B B B A
XV-0P/1.52	1,48	220	280	X 0 P 11 21 B B B A	X 0 P 11 22 B B B A	X 0 P 11 21 B B B A	X 0 P 11 22 B B B A
XV-0P/2.30	2,28	190	210	X 0 P 13 21 B B B A	X 0 P 13 22 B B B A	X 0 P 13 21 B B B A	X 0 P 13 22 B B B A

P1) Max. working pressure - P3) Max. peak pressure

For heavy-duty applications, it is recommended to check the admissible torque of the shaft

Dimensions table

TYPE	Weight kg	Dimensions				
		A	B	C	D	D
		mm	mm	mm	IN	OUT
XV-0P/0.17	0,400	55,8	26,2	46,8	1/4" BSPP	1/4" BSPP
XV-0P/0.25	0,410	56,4	26,5	47,4	1/4" BSPP	1/4" BSPP
XV-0P/0.45	0,420	58,0	27,3	49,0	1/4" BSPP	1/4" BSPP
XV-0P/0.57	0,430	59,0	27,8	50,0	1/4" BSPP	1/4" BSPP
XV-0P/0.76	0,440	60,5	28,5	51,5	1/4" BSPP	1/4" BSPP
XV-0P/0.98	0,460	62,0	29,3	53,0	1/4" BSPP	1/4" BSPP
XV-0P/1.27	0,480	64,5	30,5	55,5	1/4" BSPP	1/4" BSPP
XV-0P/1.52	0,500	66,5	31,5	57,5	1/4" BSPP	1/4" BSPP
XV-0P/2.30	0,560	72,5	34,5	63,5	1/4" BSPP	1/4" BSPP



T.1 = 11.7±13.7 [Nm] - screw tightening torque M6

T.2 = 9.2 [Nm] - admissible shaft torque (N.B. When choosing a shaft, always check the admissible torque).

**NOTE: This type of pump is also interchangeable**

**with distance between centres of fastening in M5 (see dim. a, b, c).**

07/10/24 XV-06-22BBB-A-01

# Table of variations

**XV-OP**

## ø22 "HY" Body-Shaped FLANGE

ø22 "HY" Body-Shaped FLANGE				Shaft		Cover				
Left rotation		Right rotation				Left rotation	Right rotation			
	21		22	CI001 - Parallel T.2 = 2.1 [Nm] 	A	CF001 - Milled shank T.2 = 9.2 [Nm] 	B			A
	23		24	CF005 - Milled shank T.2 = 8.4 [Nm] 	F	CO001 - Tapered T.2 = 21.9 [Nm] 	E			B
	25		26							C
	27		28							D

Displacement	
TYPE	CODE
XV-0P/0.17	01
XV-0P/0.25	02
XV-0P/0.45	04
XV-0P/0.57	05
XV-0P/0.76	06
XV-0P/0.98	07
XV-0P/1.27	09
XV-0P/1.52	11
XV-0P/2.30	13

Displacement cm3/rev	Standard bodies		
	Standard threads		
0.17	B - B	Z - B	Z - Z
0.25	B - B	Z - B	Z - Z
0.45	B - B	Z - B	Z - Z
0.57	B - B	Z - B	Z - Z
0.76	B - B	Z - B	Z - Z
0.98	B - B	Z - B	Z - Z
1.27	B - B	Z - B	Z - Z
1.52	B - B	Z - B	Z - Z
2.30	B - B	Z - B	Z - Z

Table showing standard flange and thread combinations available in stock

		N
Internal drainage		
		O
External drainage		

Body (threads/flanges)						
	A		B		C	
	E		F		G	
	H		I	Closed Body	Z	