

KTS Series

OVERVIEW

Sensitive touch pad

FLUSH MOUNTING TYPE

Dual color type is available



Quick Selection Guide

CONTROL COMPONENTS

Size	Action	Color	Color	Input Voltage	Model Number	
Square 25mm	Alternate	Mono	Red	24V	KTS-S25AR	
				12V	KTS-S25ARL	
			Green	24V	KTS-S25AG	
					12V	KTS-S25AGL
				Yellow	24V	KTS-S25AY
					12V	KTS-S25AYL
		Dual Color	Red/Yellow	24V	KTS-S25A1	
				12V	KTS-S25A1L	
			Green/Red	24V	KTS-S25A2	
			12V	KTS-S25A2L		
			Yellow/Green	24V	KTS-S25A3	
				12V	KTS-S25A3L	
	Momentary	Mono	Red	24V	KTS-S25MR	
				12V	KTS-S25MRL	
			Green	24V	KTS-S25MG	
				12V	KTS-S25MGL	
				Yellow	24V	KTS-S25MY
					12V	KTS-S25MYL
Dual Color		Red/Yellow	24V	KTS-S25M1		
			12V	KTS-S25M1L		
		Green/Red	24V	KTS-S25M2		
		12V	KTS-S25M2L			
		Yellow/Green	24V	KTS-S25M3		
			12V	KTS-S25M3L		
Square 40mm	Alternate	Mono	Red	24V	KTS-S40AR	
				12V	KTS-S40ARL	
			Green	24V	KTS-S40AG	
				12V	KTS-S40AGL	
				Yellow	24V	KTS-S40AY
					12V	KTS-S40AYL
		Dual Color	Red/Yellow	24V	KTS-S40A1	
				12V	KTS-S40A1L	
			Green/Red	24V	KTS-S40A2	
			12V	KTS-S40A2L		
			Yellow/Green	24V	KTS-S40A3	
				12V	KTS-S40A3L	
	Momentary	Mono	Red	24V	KTS-S40MR	
				12V	KTS-S40MRL	
			Green	24V	KTS-S40MG	
				12V	KTS-S40MGL	
				Yellow	24V	KTS-S40MY
					12V	KTS-S40MYL
Dual Color		Red/Yellow	24V	KTS-S40M1		
			12V	KTS-S40M1L		
		Green/Red	24V	KTS-S40M2		
		12V	KTS-S40M2L			
		Yellow/Green	24V	KTS-S40M3		
			12V	KTS-S40M3L		

SQUARE LIGHT

TOWER LIGHT

MICRO SWITCH

FOOT SWITCH

LIMIT SWITCH

POWER SWITCH

HOIST SWITCH

CAM SWITCH

BUZZER

PHOTO SENSOR

PROXIMITY SENSOR

FLOATLESS LEVEL SWITCH

TIMER & COUNTER

RELAY

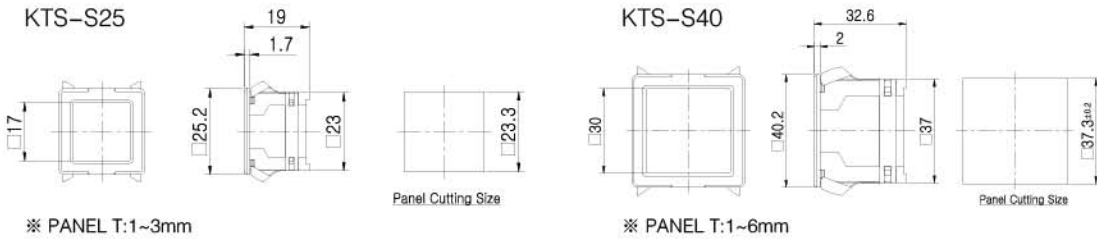
SOCKETS

TERMINAL BLOCK

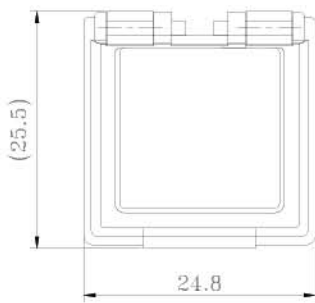
CONTROL BOX

PID TEMP. CONTROLLER

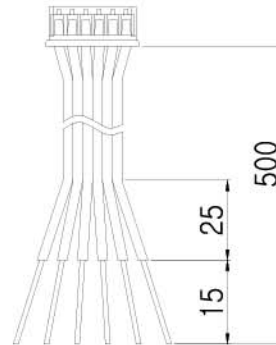
Dimensions



KTS-S25 SAFETY COVER



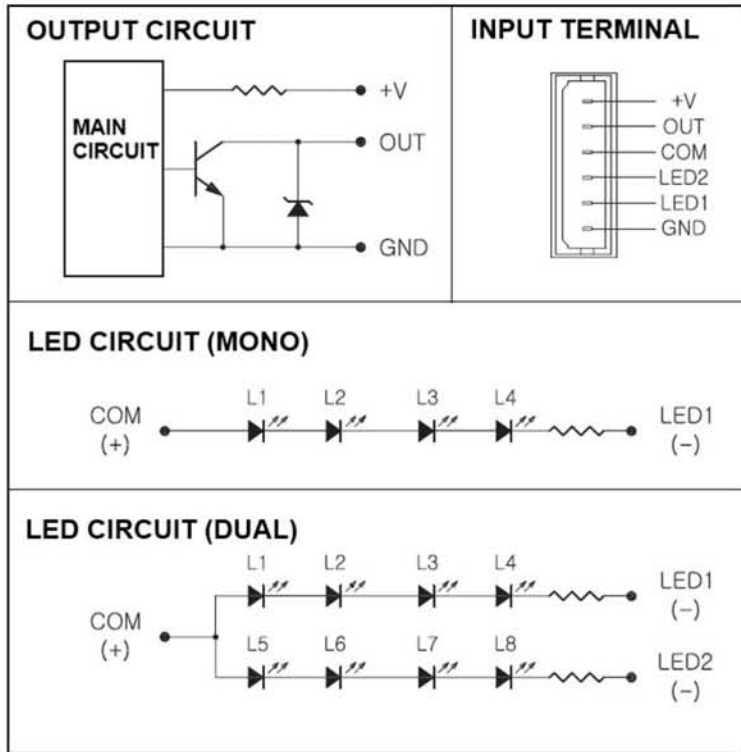
Connector Cable



SPECIFICATION

Model Number	KTS-S25/S40 Series
Input Voltage	DC24V/DC12V(± 10%)
Current	Max. 100mA
Output	NPN Open Collector TR output DC35V 200mA Max.
Insulation Resistance	min. 100MΩ(DC500V)
Dielectric Strength	50/60Hz AC500V for 1min.
Ambient Temperature	-10°C ~+55°C
Ambient Humidity	10~80%RH

Circuit Diagrams



CONTROL COMPONENTS

SQUARE LIGHT

TOWER LIGHT

MICRO SWITCH

FOOT SWITCH

LIMIT SWITCH

POWER SWITCH

HOIST SWITCH

CAM SWITCH

BUZZER

PHOTO SENSOR

PROXIMITY SENSOR

FLOATLESS LEVEL SWITCH

TIMER & COUNTER

RELAY

SOCKETS

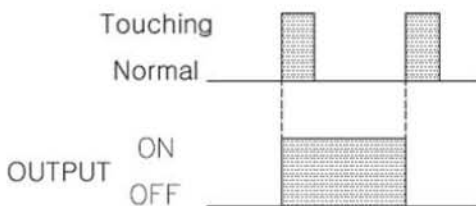
TERMINAL BLOCK

CONTROL BOX

PID TEMP. CONTROLLER

Characteristic Curves

ALTERNATE



MOMENTARY

