

KPT

- $\pm 0,25\%$ accuracy
- Best quality / price ratio
- Threaded, sanitary type or for vacuum process connections



KPT is suitable for continuous liquids level measurement. Typical application are waste water and deep wells. KPT is a pressure transmitter which can be used for the liquids, gases, and vapors measurement. The small size pressure transducer offers maximum operational reliability. KPT is an inexpensive solution for many different applications in all industrial process control.

TECHNICAL FEATURES

Power supply

12÷42Vdc (2-wires)

Measure range

Gauge pressure Max. 0 ÷ 400bar (0 ÷ 40MPa);
Min. 0 ÷ 0.1bar (0 ÷ 10kPa)

Absolute pressure Max. 0 ÷ 25bar (0 ÷ 2,5MPa);
Min. 0 ÷ 1bar (0 ÷ 100kPa)

Negative pressure Max. -1 ÷ +39bar (-0.1 ÷ 3,9MPa);
Min. -0.2 ÷ 0,2bar (-20 ÷ 20kPa)

Output

4÷20mA

Overload

1.5 times the F.S

Accuracy

$\pm 0.25\%$

Stability

$> \pm 0.1\%$ FS

Working temperature

-30° ÷ +120°C

IP rating

IP65

Temperature compensation

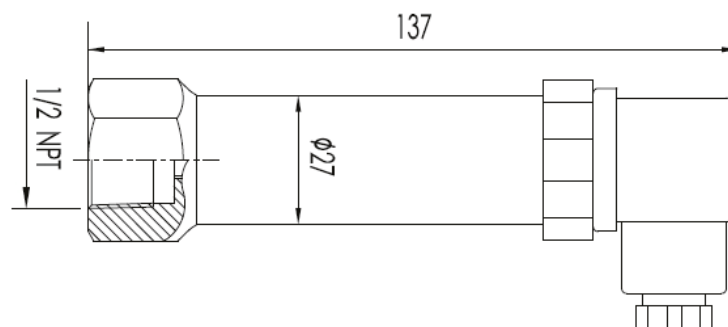
-10° ÷ +80°C

Max. Scale adjustment

"Zero" $\pm 5\%$ F.S.; FS $\pm 20\%$ F.S

Display

LCD



KPT Pressure transmitter

Protection: IP65 - Working temperature range: -30÷120°C
 Power supply: 12÷42Vdc - Wire-loop connection (2 wires)
 Output: 4÷20mA - Sealed material: viton (FPM)
 Accuracy: ±0,25%

Version	
D	Standard
E	With flat membrane (only with connections 3,4,7)
S	With sanitary connection
Z	Special

Measure range	
B1	0 ÷ 10KPa (0 ÷ 0,1bar) gauge pr.
C1	0 ÷ 25KPa (0 ÷ 0,25bar) gauge pr.
C2	0 ÷ 40KPa (0 ÷ 0,4bar) gauge pr.
C3	0 ÷ 60KPa (0 ÷ 0,6bar) gauge pr.
D1	0 ÷ 100KPa (0 ÷ 1bar) gauge pr.
D2	0 ÷ 160KPa (0 ÷ 1,6bar) gauge pr.
D3	0 ÷ 250KPa (0 ÷ 2,5bar) gauge pr.
F1	0 ÷ 400KPa (0 ÷ 4bar) gauge pr.
F2	0 ÷ 600KPa (0 ÷ 6bar) gauge pr.
F3	0 ÷ 1,0MPa (0 ÷ 10bar) gauge pr.
F4	0 ÷ 1,6MPa (0 ÷ 16bar) gauge pr.
F5	0 ÷ 2,5MPa (0 ÷ 25bar) gauge pr.
F6	0 ÷ 3,0MPa (0 ÷ 30bar) gauge pr.
F7	0 ÷ 4,0MPa (0 ÷ 40bar) gauge pr. - not available for sanitary versions
G1	0 ÷ 6,0MPa (0 ÷ 60bar) gauge pr. - not available for sanitary versions
G2	0 ÷ 10MPa (0 ÷ 100bar) gauge pr. - not available for sanitary versions
H1	0 ÷ 16MPa (0 ÷ 160bar) gauge pr. - not available for sanitary versions
H2	0 ÷ 25MPa (0 ÷ 250bar) gauge pr. - not available for sanitary versions
H3	0 ÷ 40MPa (0 ÷ 400bar) gauge pr. - not available for sanitary versions
SG	Special gauge pressure
B2	-20KPa ÷ +20KPa (-0,2 ÷ +0,2bar) gauge pr.
C5	-100KPa ÷ 0KPa (- 1 ÷ 0bar) gauge pr.
D4	-100KPa ÷ + 60KPa (- 1 ÷ 0,6bar) gauge pr.
D5	-100KPa ÷ + 160KPa (- 1 ÷ 1,6bar) gauge pr.
F8	-100KPa ÷ +300KPa (- 1 ÷ +3bar) gauge pr.
F9	-100KPa ÷ +500KPa (- 1 ÷ +5bar) gauge pr.
FA	-100KPa ÷ +900KPa (- 1 ÷ +9bar) gauge pr.
FB	-100KPa ÷ +1,5MPa (- 1 ÷ +15bar) gauge pr.
FC	-100KPa ÷ +2,4MPa (- 1 ÷ +24bar) gauge pr.
FD	-100KPa ÷ +2,9MPa (- 1 ÷ +29bar) gauge pr.
FE	-100KPa ÷ +3,9MPa (- 1 ÷ +39bar) gauge pr. - not available for sanitary versions
M1	0 ÷ 100KPa (0 ÷ 1bar) absolute pr.
M2	0 ÷ 160KPa (0 ÷ 1,6bar) absolute pr.
M3	0 ÷ 250KPa (0 ÷ 2,5bar) absolute pr.
O1	0 ÷ 400KPa (0 ÷ 4bar) absolute pr.
O2	0 ÷ 600KPa (0 ÷ 6bar) absolute pr.
O3	0 ÷ 1,0MPa (0 ÷ 10bar) absolute pr.
O4	0 ÷ 1,6MPa (0 ÷ 16bar) absolute pr.
O5	0 ÷ 2,5MPa (0 ÷ 25bar) absolute pr.
SA	Special absolute pressure

Membrane / filling liquid	
A	AISI316L / silicone oil
C	Hastelloy C / silicone oil
X	AISI316L / vegetable oil
Y	Hastelloy C / vegetable oil
Z	Special

Process connection	
0	Special
1	½" NPT female thread SS316
2	½" NPT male thread with ¼" NPT female threaded hole SS316
3	M20 x 1,5 male thread SS316
4	½" G male thread SS316
5	ISO 2861 vacuum connection (max 2.5bar)
6	¼" NPT male thread
7	1" G male thread SS316
A	Sanitary: CLAMP DIN 32676 DN25 / ISO 2852 DN25 (max 30bar) SS316
B	Sanitary: CLAMP DIN 32676 DN40 / ISO 2852 DN38 (max 30bar) SS316
C	Sanitary: CLAMP DIN 32676 DN50 / ISO 2852 DN51 SS316 - only for range B - C - D - M

Accessories	
0	None
X	LCD display
Y	LCD display with 2 switch limited points
Z	Special

