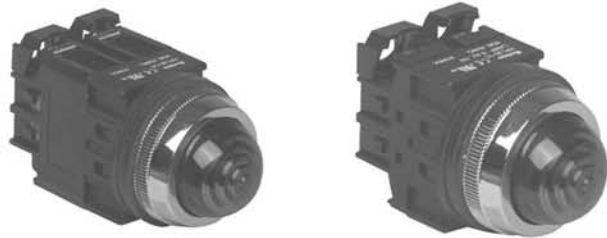




PILOT LAMP

KPL30 Series



CLASSIFICATION

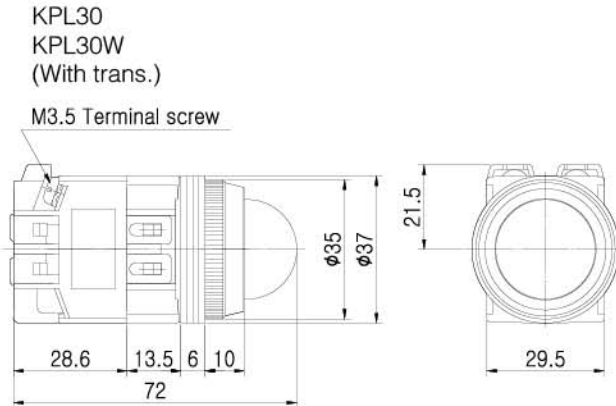
KPL-30 W - L 1C R

① ② ③ ④

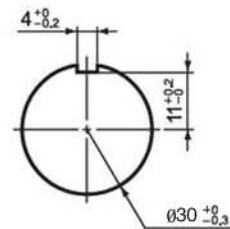
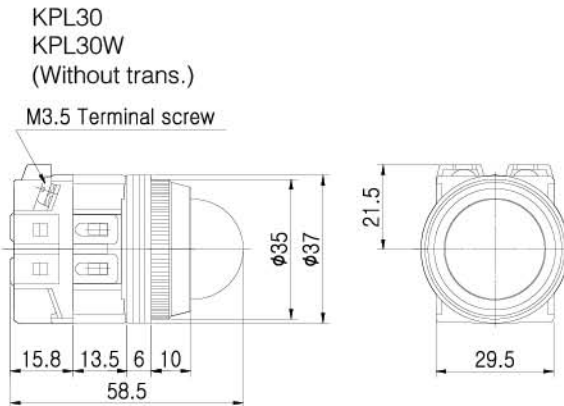
① PROTECTION	NONE	IP40
	W	IP65
② LAMP	NONE	FILAMENT LAMP
	L	LED LAMP
③ INPUT VOLTAGE	1A	110VAC AT 50/60 Hz
	2A	220VAC AT 50/60 Hz
	3A	230VAC AT 50/60 Hz
	1C	6V AC/DC
	2C	12V AC/DC
	3C	24 AC/DC
④ LAMP COLOR	R	RED
	G	GREEN
	Y	YELLOW
	B	BLUE
	C	CLEAR
	W	WHITE
	M	MILKY WHITE
	O	ORANGE



KPL30-1A KPL30-2A KPL5-3A
KPL30-L1A KPL30-L2A KPL30-L3A



KPL30-1C KPL30-2C KPL30-3C
KPL30-L1C KPL30-L2C KPL30-L3C



Panel cut-out

CONTROL COMPONENTS

SQUARE LIGHT

TOWER LIGHT

MICRO SWITCH

FOOT SWITCH

LIMIT SWITCH

POWER SWITCH

HOIST SWITCH

CAM SWITCH

BUZZER

PHOTO SENSOR

PROXIMITY SENSOR

FLOATLESS LEVEL SWITCH

TIMER & COUNTER

RELAY

SOCKETS

TERMINAL BLOCK

CONTROL BOX

PID TEMP. CONTROLLER



Technical Information

Material

Contact

Silver alloy + Copper

Housing

BODY: Nylon glass

CONTACT HOUSING: Nylon glass

Cap

AS

Ring

ABS, AL(optional)

Mechanical Characteristics

Mechanical Lifetime

N/A

Install

Tightening torque : Max. 0.8N · m

Electrical Characteristics

Standards

This product comply with “ Standards for low-voltage switching devices” EN IEC 60947-5-1

Contact Resistance

250VAC 6A (resistive load)

Insulation Resistance

Minimum 100M Ω (500VDC)

Contact Resistance

Maximum 30m Ω

Electrical Lifetime

N/A



Electrical Characteristics—continues

Dielectric Strength

Between Live Parts: 1,500VAC(50/60Hz) for 1 minute

Between Live and Dead Parts: 1,500VAC(50/60Hz) for 1 minute

Environmental conditions

Operational Temperature

-25°C~+50°C

Operational Humidity

45~85%RH

Protection Degree

IP40 / IP65(“W” type)

Shock Resistance

Approximately 50G(500m/s²)

Vibration Resistance

10~55Hz double amplitude 1.5mm (at X, Y and Z axis)

Approvals

Approbations

UL, CCC, KC

Declaration of Conformity

CE

CONTROL
COMPONENTS

SQUARE
LIGHT

TOWER
LIGHT

MICRO
SWITCH

FOOT
SWITCH

LIMIT
SWITCH

POWER
SWITCH

HOIST
SWITCH

CAM
SWITCH

BUZZER

PHOTO
SENSOR

PROXIMITY
SENSOR

FLOATLESS
LEVEL SWITCH

TIMER &
COUNTER

RELAY

SOCKETS

TERMINAL
BLOCK

CONTROL
BOX

PID TEMP.
CONTROLLER