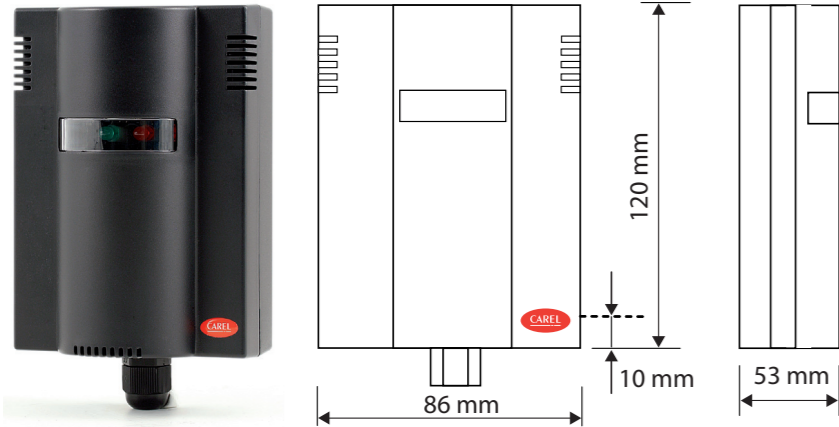
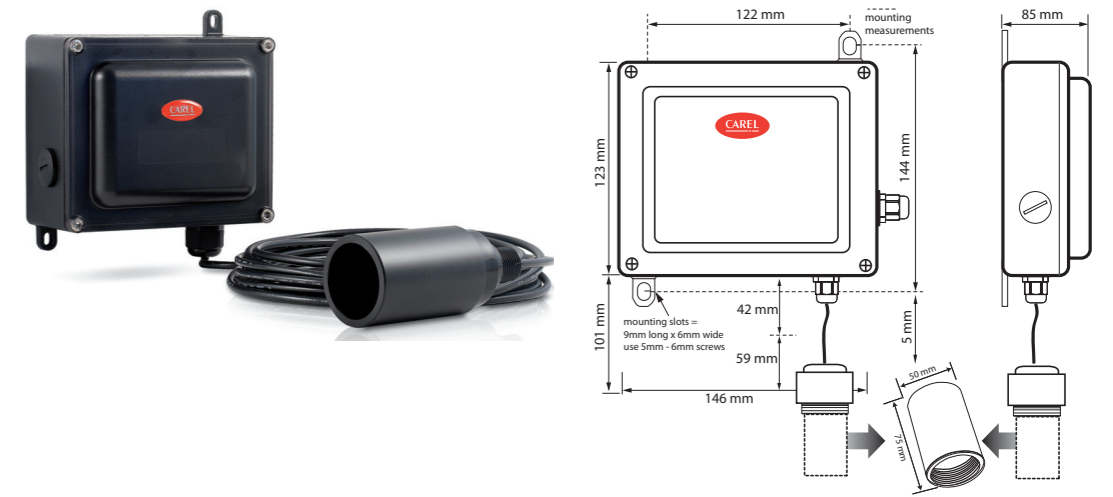
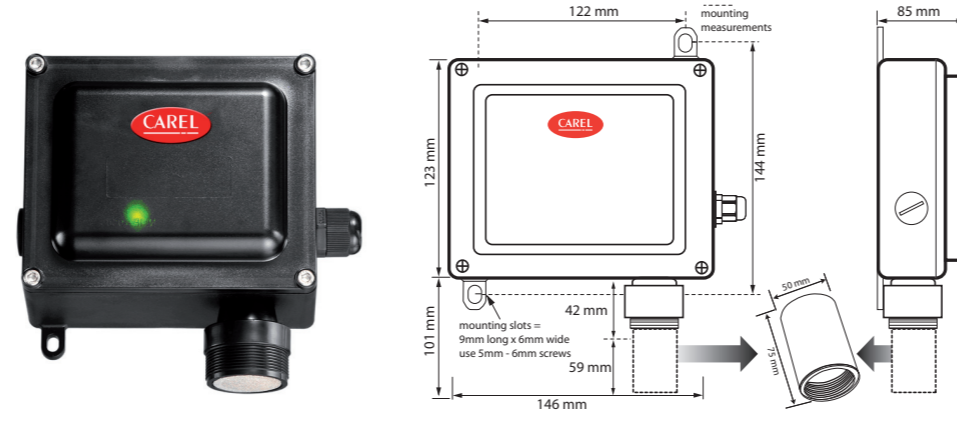


Version IP44

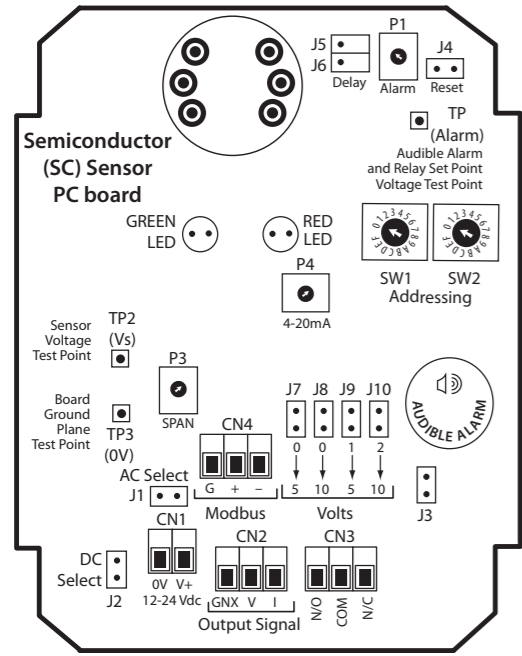


Version IP66

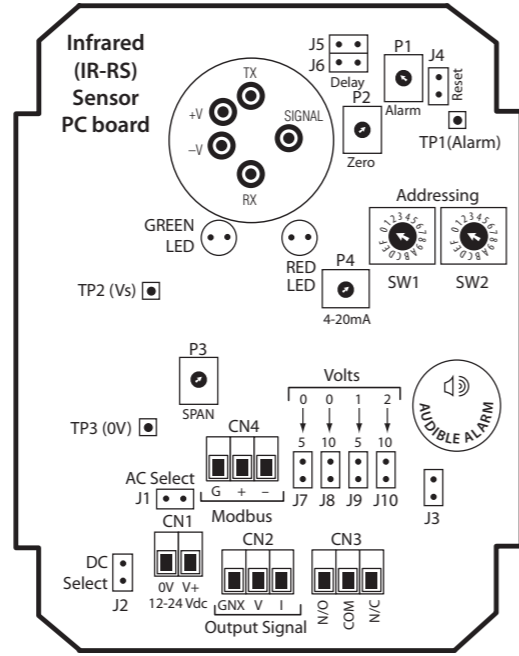


Collegamenti elettrici e configurazione / Electrical connections and configuration / Raccordements électriques et configuration / Elektrische Anschlüsse und Konfiguration / Conexiones eléctricas y configuración

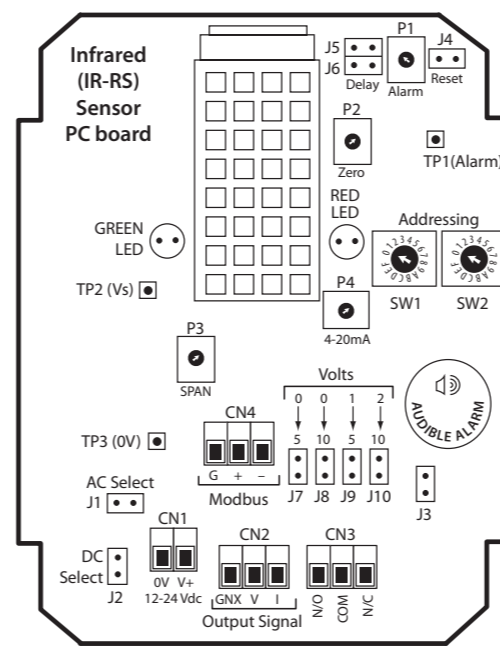
Semiconductor sensor R22-R134a-R404a-R407a-R410a-R290 version



Infrared sensor CO2 version



Infrared R134a-R404a-R407a-R410a version

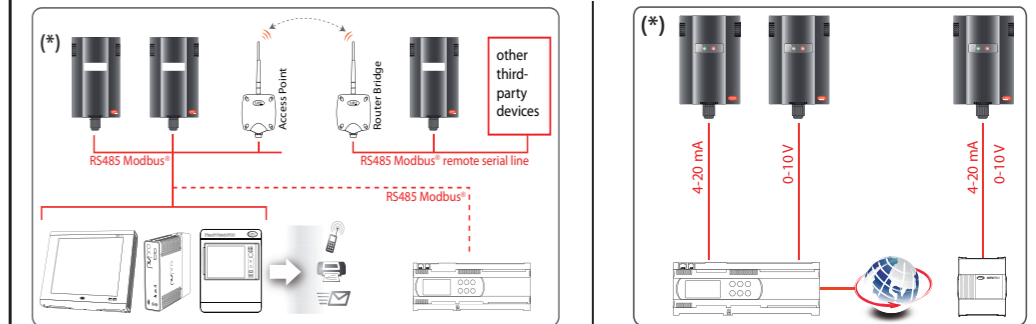


Consigli per installazione / Installation tips / Conseils pour l'installation / Installationsempfehlungen / Consejos para la instalación



Nota: da installare vicino all'unità di raffreddamento. / Note: to be installed close the cooler unit.

Esempi di collegamento / Connection examples / Exemples de raccordement / Anschlussbeispiele / Ejemplos de conexión



Nota: verificare compatibilità con l'applicativo del controllo. **Note:** check compatibility with the application on the controller. **Note:** vérifier la compatibilité avec l'application de contrôle. **NB:** Die Kompatibilität mit dem Anwendungsprogramm der Steuerung überprüfen. **Nota:** verificar la compatibilidad con la aplicación de controlador.

Legende

<p>SW1 and SW2 Modbus Addressing</p> <table border="1"> <tr><th>ADDR (DEC)</th><th>SW1 (LSB)</th><th>SW2 (MSB)</th><th></th></tr> <tr><td>D00</td><td>0</td><td>0</td><td>Reserved Address</td></tr> <tr><td>D01</td><td>1</td><td>0</td><td rowspan="4">Valid Addresses</td></tr> <tr><td>D02</td><td>0</td><td>1</td></tr> <tr><td>D17</td><td>1</td><td>1</td></tr> <tr><td>248</td><td>7</td><td>7</td></tr> <tr><td>248</td><td>8</td><td>F</td><td rowspan="2">Reserved Addresses</td></tr> <tr><td>255</td><td>F</td><td>F</td></tr> </table>	ADDR (DEC)	SW1 (LSB)	SW2 (MSB)		D00	0	0	Reserved Address	D01	1	0	Valid Addresses	D02	0	1	D17	1	1	248	7	7	248	8	F	Reserved Addresses	255	F	F	<p>J4 Reset Jumper</p> <table border="1"> <tr><th>OFF</th><th>ON (Then OFF)</th></tr> <tr><td></td><td></td></tr> <tr><td>Normal Operation</td><td>Reset</td></tr> </table>	OFF	ON (Then OFF)			Normal Operation	Reset	<p>CN3 Relay Connector</p> <table border="1"> <tr><th>N/O</th><th>COM</th><th>N/C</th></tr> <tr><td></td><td></td><td></td></tr> <tr><td>Normally Open</td><td>Common</td><td>Normally Closed</td></tr> </table>	N/O	COM	N/C				Normally Open	Common	Normally Closed	<p>J1 and J2 Power Supply Selection Jumper</p> <table border="1"> <tr><th>AC Power Selected</th><th>DC Power Selected</th></tr> <tr><td></td><td></td></tr> <tr><td>ON J1</td><td>OFF J1</td></tr> <tr><td>OFF J2</td><td>ON J2</td></tr> <tr><td>12-24 Vac</td><td>0V V+ 12-24 Vdc</td></tr> </table>	AC Power Selected	DC Power Selected			ON J1	OFF J1	OFF J2	ON J2	12-24 Vac	0V V+ 12-24 Vdc	<p>P1-P4 Adjustment Pots</p> <ul style="list-style-type: none"> P1: Adjusts Alarm Setpoint for Audible Alarm and Relay P2: Adjusts Zero Level Voltage for Output Signal P3: Adjusts Output Signal Span P4: Adjusts 4-20 mA Current Output 	<p>J5 and J6 Delay Jumper for Audible Alarm and Relay</p> <table border="1"> <tr><th>J5</th><th>J6</th><th>Delay</th></tr> <tr><td></td><td></td><td>0 Minutes (No Delay)</td></tr> <tr><td></td><td></td><td>1 Minutes Delay</td></tr> <tr><td></td><td></td><td>5 Minutes Delay</td></tr> <tr><td></td><td></td><td>10 Minutes Delay</td></tr> </table>	J5	J6	Delay			0 Minutes (No Delay)			1 Minutes Delay			5 Minutes Delay			10 Minutes Delay	<p>CN4 Modbus Connector</p> <table border="1"> <tr><th>G</th><th>+</th><th>-</th></tr> <tr><td></td><td></td><td></td></tr> <tr><td>Ground (Isolated from 0V)</td><td>Non-inverting Modbus Signal TxD+/RxD+</td><td>Non-inverting Modbus Signal TxD-/RxD-</td></tr> </table>	G	+	-				Ground (Isolated from 0V)	Non-inverting Modbus Signal TxD+/RxD+	Non-inverting Modbus Signal TxD-/RxD-
ADDR (DEC)	SW1 (LSB)	SW2 (MSB)																																																																																	
D00	0	0	Reserved Address																																																																																
D01	1	0	Valid Addresses																																																																																
D02	0	1																																																																																	
D17	1	1																																																																																	
248	7	7																																																																																	
248	8	F	Reserved Addresses																																																																																
255	F	F																																																																																	
OFF	ON (Then OFF)																																																																																		
Normal Operation	Reset																																																																																		
N/O	COM	N/C																																																																																	
Normally Open	Common	Normally Closed																																																																																	
AC Power Selected	DC Power Selected																																																																																		
ON J1	OFF J1																																																																																		
OFF J2	ON J2																																																																																		
12-24 Vac	0V V+ 12-24 Vdc																																																																																		
J5	J6	Delay																																																																																	
		0 Minutes (No Delay)																																																																																	
		1 Minutes Delay																																																																																	
		5 Minutes Delay																																																																																	
		10 Minutes Delay																																																																																	
G	+	-																																																																																	
Ground (Isolated from 0V)	Non-inverting Modbus Signal TxD+/RxD+	Non-inverting Modbus Signal TxD-/RxD-																																																																																	
<p>J7-J10 Output Jumper or CN2 Output Signal Connector</p> <table border="1"> <tr><th>GNX</th><th>V</th><th>I</th></tr> <tr><td></td><td></td><td></td></tr> <tr><td>0 Volt, Ground</td><td>0-5 V Output</td><td>Current Output, 4-20 mA</td></tr> <tr><td></td><td>0-10 V Output</td><td></td></tr> <tr><td></td><td>1-5 V Output</td><td></td></tr> <tr><td></td><td>2-10 V Output</td><td></td></tr> </table>		GNX	V	I				0 Volt, Ground	0-5 V Output	Current Output, 4-20 mA		0-10 V Output			1-5 V Output			2-10 V Output																																																																	
GNX	V	I																																																																																	
0 Volt, Ground	0-5 V Output	Current Output, 4-20 mA																																																																																	
	0-10 V Output																																																																																		
	1-5 V Output																																																																																		
	2-10 V Output																																																																																		

Disposal of the product
The appliance (or the product) must be disposed of separately in compliance with the local standards in force on waste disposal.

Important warnings: The CAREL product is a state-of-the-art device, whose operation is specified in the technical documentation supplied with the product or can be downloaded, even prior to purchase, from the website www.carel.com. The customer (manufacturer, developer or installer of the final equipment) accepts all liability and risk relating to the configuration of the product in order to reach the expected results in relation to the specific final installation and/or equipment. The failure to complete such phase, which is required/indicated in the user manual, may cause the final product to malfunction; CAREL accepts no liability in such cases. The customer must use the product only in the manner described in the documentation relating to the product. The liability of CAREL in relation to its products is specified in the CAREL general contract conditions, available on the website www.carel.com and/or by specific agreements with customers.

CAREL reserves the right to modify the features of its products without prior notice.