

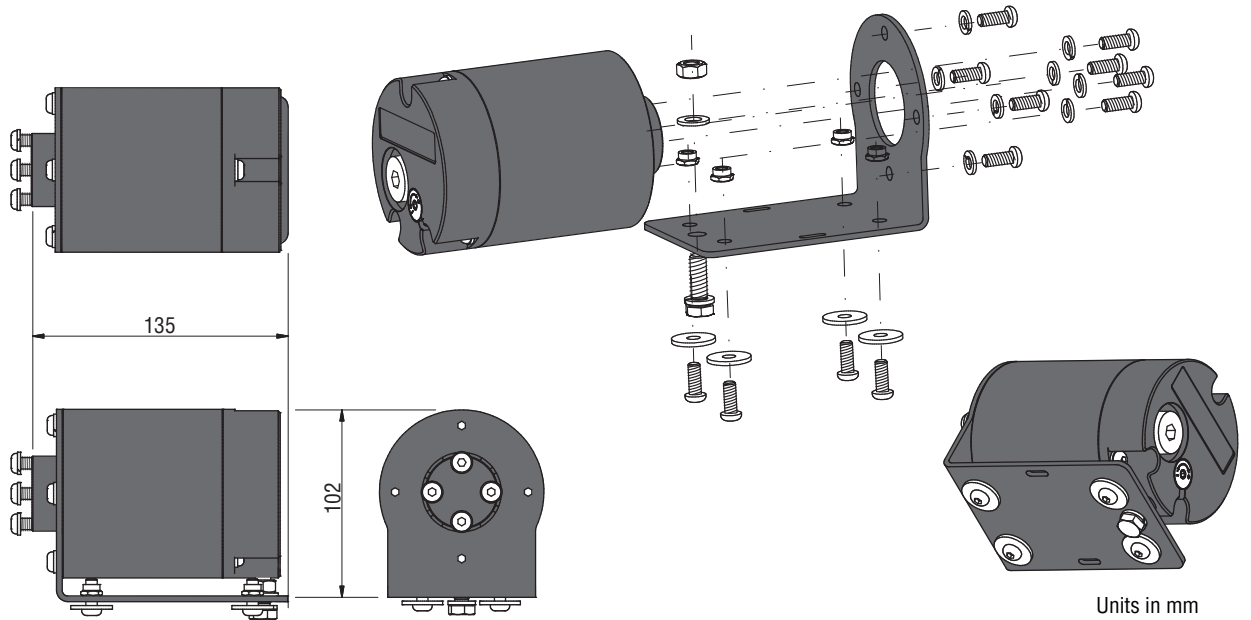
Vision is  
our mission®

Compact Oil Damped Bracket  
Article no. 0701200  
2018 • DS0963530 EN A 01

# Product Data



## Dimensions



## TECHNICAL DATA

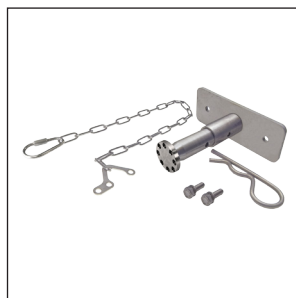
### Compact Oil Damped Bracket

	<b>Description</b>
<b>Article number</b>	<b>0701200</b>
<b>Purpose</b>	Designed for usage on cranes to have a camera pointed downwards perpendicular. The damper absorbs sudden movements and procure stability to all Orlaco cameras. Cameras of Orlaco have been balanced by the factory. Other cameras have to be checked to determine the position of their centre of gravity.
<b>Housing</b>	Material: AlMgSi1. Treadment: Black Nituff (PTFE Coated according Mil-A-63576 type II). Offshore proof following IEC 60068-2-52.
<b>Mounting hardware</b>	Stainless steel.
<b>Operating temperature</b>	-40°C ... +85°C
<b>Oil filling</b>	Univis HVI 26 or alternative with kinematic viscosity 896 at -40 °C (Total volume = 40,23 cc)
<b>Protection</b>	Oil-filled and waterproof IP68 according to IEC 60529. The bracket can withstand high pressure cleaning.
<b>Weight</b>	3,4 kg.
<b>Expected lifetime</b>	7-10 years.
<b>Max. mast speed</b>	2°/sec.
<b>Green Passport</b>	All materials are compliant to Green Passport requirements according IMO resolution MEPC.197(62) as adopted on 15 July 2011 (Maritime sector: International Maritime Organization concerning the functions of the Marine Environment Protection Committee).
<b>N.B.:</b>	Bracket can be used in EX zone type 1 or 2: As the magnesium percentage is below 6% (aluminium value between 0,6-1,2%).
<b>Documentation</b>	Please refer to the Installation Manual IM0973362 for installation instructions.

#### Optional sets; data sheets are available



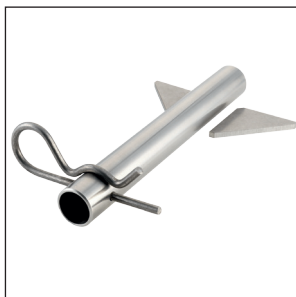
Art. no. 0910240  
Quick Release Set Weld version



Art. no. 0910250  
Quick Release Set Bolt version



Art. no. 0910260  
Mounting Bracket Set Additional



Art. no. 0910270  
Suspension Tube Complete

All data subject to change without notice. All dimensions are for commercial purpose only.  
The camera/display systems from Orlaco comply with the latest CE, ADR, EMC and mirror-directive regulations, where applicable.  
All products are manufactured in accordance with the ISO 9001 quality management system, ISO/TS 16949 quality automotive, ISO 14001 environmental management systems and all Ex products with the IECEx scheme and ATEX directives, where applicable.

