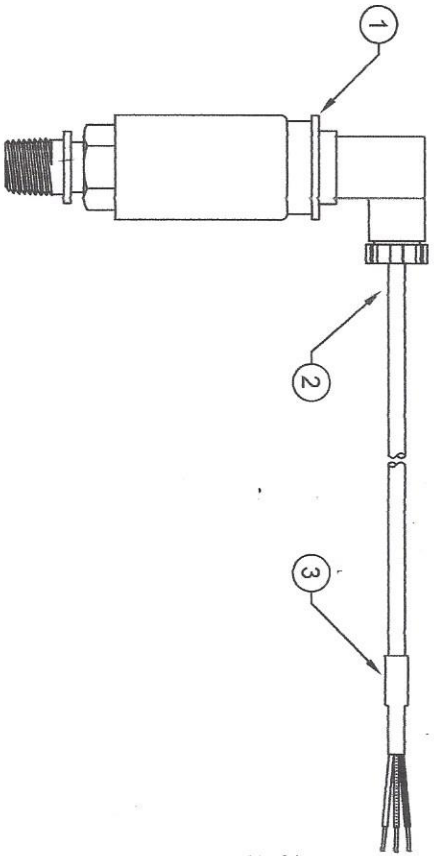
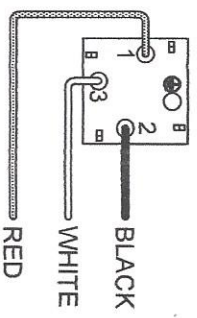


ASCO/FIRETRON PART NUMBER		DASH NO.			
AS-2168		-001	-002	-003	-004
KAS-2168		-001	-002	-003	-004
ITEM	PART NUMBER	DESCRIPTION	QTY		
1	TD-1107	PRESSURE TRANSDUCER, 0 - 300 PSI	1	1	
1	TD-1108	PRESSURE TRANSDUCER, 0 - 600 PSI		1	1
2	619017-002	22 AWG, 3 CONDUCTOR CABLE	2 FT	2 FT	3 FT
3	070294-503	HEAT SHRINKABLE TUBING	0.1 FT	0.1 FT	0.1 FT



- CABLE END PREPARATION
1. REMOVE 1-1/2" OF THE OUTER JACKET.
 2. PLACE TUBING (3) ON END OF WIRE, APPLY HEAT TO SHRINK IN PLACE.
 3. STRIP EACH CONDUCTOR APPROXIMATELY 3/16".



ADDED AS-2168-003/004	B	272176	TDC	TDC	4/25/18
ADDED AS-2168-001/002	A	264219	TEF	TEF	11/15/16
NEW ISSUE	-	258424	TEF	TEF	12/09/15
PROJECT NAME:	ASSEMBLY DRAWING				
PRESSURE TRANSDUCER ASSEMBLY FOR JOCKEY XG					
WITH GEMS 1200 SERIES TRANSDUCER					
BY	DATE	MANUFACTURING TOLERANCES TO BE IN ACCORDANCE WITH ASCO PROCEDURE MP-1-003. FOR PLASTIC PARTS SEE MP-1-065.	ASSEM. REF. NO.	COMPUTER GENERATED DRAWING	
CHKD BY	DATE	PROPERTY OF ASCO POWER TECHNOLOGIES. USE PERMITTED FOR OUR WORK ONLY. ALL RIGHTS OF DESIGN OR INVENTION ARE RESERVED.		SCALE	N/A
PROJECT APPROVAL				SIZE	A
FINAL APPROVAL	TEF 12/09/15			DWG. NO.	AS-2168
				DRAWING REV.	B
				EON NO.	272176
				SHEET	1 OF 1



ASCO
ASCO Power Technologies, L.P.
FLORHAM PARK, NEW JERSEY 07932 U.S.A.