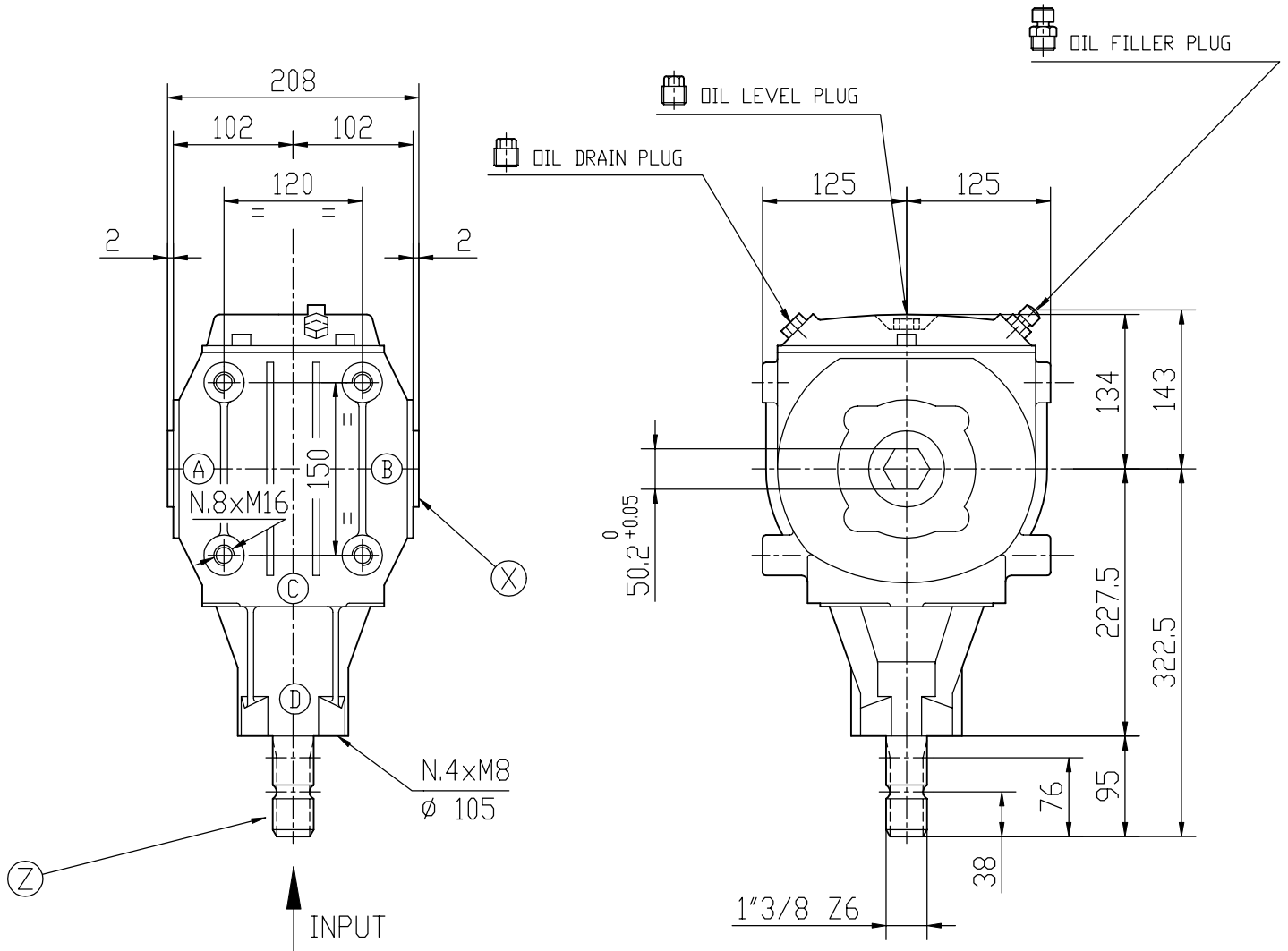
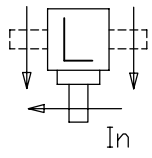


COMPANY	REF.	DESIGNATION	TB-22C
	DATE	CODE	9.262.012.10
	17-04-2009		



S.d.M. 12.5857

REDUCTION GEAR UNIT	Ratio <i>i</i>	Rated input r.p.m.	Rated input power HP	Rated input power kW	Rated output torque da Nm	Weight Kg	Oil <input checked="" type="checkbox"/> Grease <input type="checkbox"/> Type	Lubricant Quantity Lt.											
	2.42 : 1	540	65	47.8	198.4	30	SAE.140EP	2.5											
		Gear Arrangement					Bevel couplings			Cylindrical couplings				Bearings					
		Helicoidal	Straight	Teeth number					Module	Helicoidal	Straight	Teeth number				Module	A	32013X	
				Z 1	Z 2	Z 3	Z 4	M.				Z 1	Z 2	Z 3	Z 4		M.	B	32013X
				*	12	29						7							
															D	30208			
	Components material												E						
	Casing	Shaft X	Shaft Z			Bevel gear		Spur gear				F							
	G 25 UNI ISO 185	20 MnCr5	18 NiCrMo5			Z29=16 CrNi4 Z12=20 CrNi4						G							
												H							

COMER INDUSTRIES reserves the right to make any change to this product without prior public acknowledgement

COMER INDUSTRIES S.p.A. 42046 Villanova di Reggiolo (R.E.) Italia Tel. 0522\974111 (9 Linee) Telefax 0522\973249