
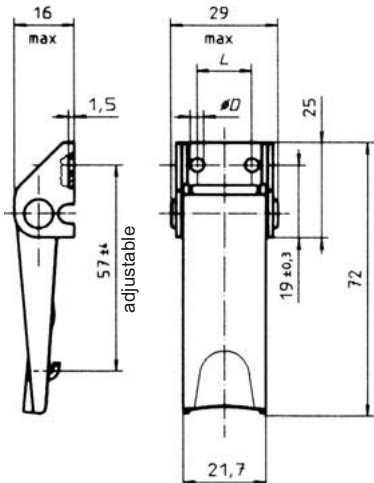

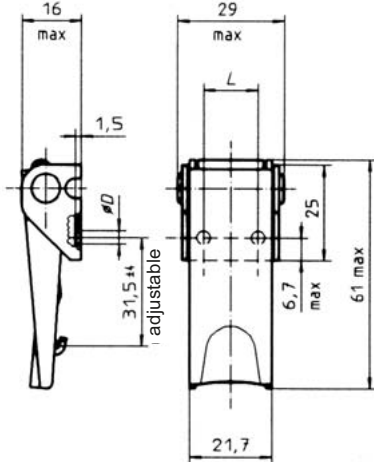


Max. tensile strength 2.300 N, working load max 1.550 N, see footnotes.

Adjustable drawhook

Available with secondary lock and hasp

| Style  | Dimensions  | Materials / Finish  | Mounting Type <sup>1)</sup> | D   | L    | Part No.              |
|--|---|---|-----------------------------|-----|------|-----------------------|
| <b>Open base</b><br><br>                      |    | Steel / zinc-plated, CrVI-free, clear passivation <sup>2)</sup>   | N                           | 3,6 | 14,3 | <b>V951L02-1-1AGV</b> |
|  |   | Steel / zinc-plated, CrVI-free, clear passivation <sup>2)</sup>   | N                           | 4,2 | 12,7 | <b>V951L02-1-5AGV</b> |
|  |   | Steel / zinc-plated, CrVI-free, clear passivation<br>Base:<br>Steel / zinc-plated <sup>2)</sup>             | S                           | -   | -    | <b>V951L02-1-2AGV</b> |
|  |   | Steel / chrome-plated<br>Interior parts:<br>Steel / zinc-plated, CrVI-free, clear passivation <sup>2)</sup> | N                           | 3,6 | 14,3 | <b>V951L02-1-1AD</b>  |
|  |   | Stainless steel <sup>3)</sup>   | N                           | 3,6 | 14,3 | <b>V951L02-1-1BP</b>  |
|  |   | Stainless steel <sup>3)</sup>   | N                           | 4,2 | 12,7 | <b>V951L02-1-5BP</b>  |
|  |   | Stainless steel <sup>3)</sup>   | S                           | -   | -    | <b>V951L02-1-2BP</b>  |
| <b>Concealed base <sup>4)</sup></b><br><br> |  | Steel / zinc-plated, CrVI-free, clear passivation   | N                           | 3,6 | 14,3 | <b>V951L03-1-1AGV</b> |
|  |   | Steel / zinc-plated, CrVI-free, clear passivation   | N                           | 4,2 | 12,7 | <b>V951L03-1-5AGV</b> |
|  |   | Steel / chrome-plated<br>Interior parts:<br>Steel / zinc-plated, CrVI-free, clear passivation               | N                           | 3,6 | 14,3 | <b>V951L03-1-1AD</b>  |
|  |   | Stainless steel   | N                           | 3,6 | 14,3 | <b>V951L03-1-1BP</b>  |
|  |   | Stainless steel   | N                           | 4,2 | 12,7 | <b>V951L03-1-5BP</b>  |


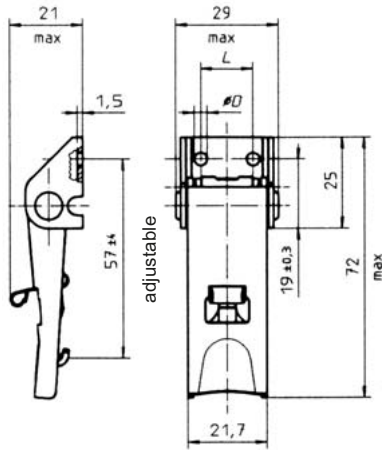

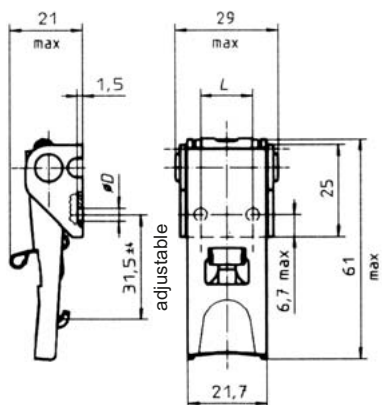
<sup>1)</sup> Mounting type: N = With holes for riveting or screw fixing

S = Without holes, for welding


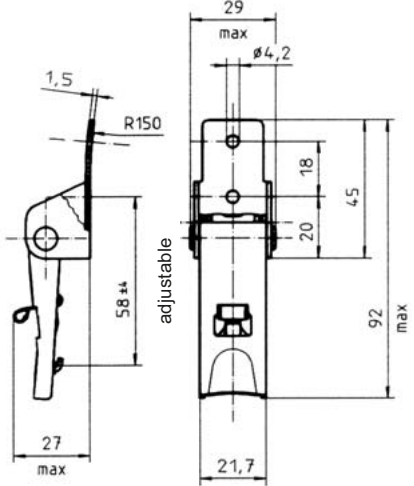

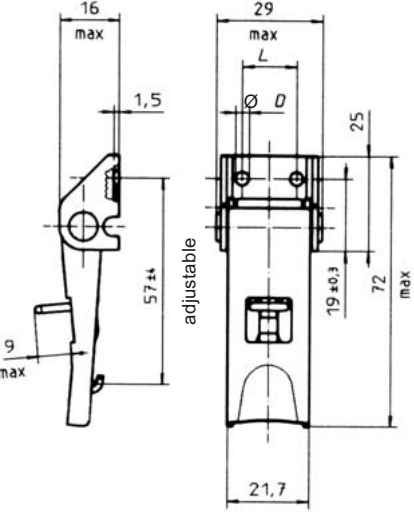
<sup>2)</sup> Max. tensile strength: 2.300 N with V951L07-\*A\* and V951L52-1A\* strike, working load 1.550 N.  
2.000 N with V951L50-1A\* strike, working load 1.300 N.

<sup>3)</sup> Max. tensile strength: 1.500 N with V951L07-\*BP and V951L52-1BP strike, working load 1.000 N.

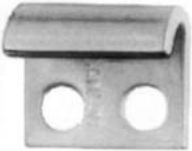
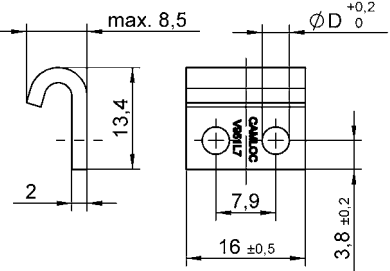

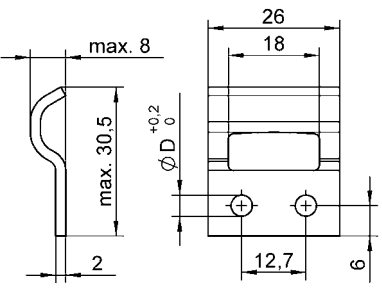

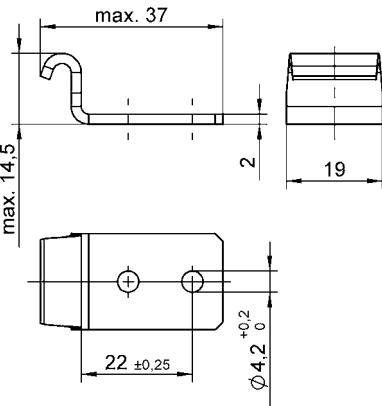
<sup>4)</sup> Due to the mounting geometry, tensile strength reduced to approx. 1200 N, working load 800 N.

| Style  | Dimensions  | Materials / Finish  | Mounting Type <sup>1)</sup> | D   | L    | Part No.              |
|--|---|---|-----------------------------|-----|------|-----------------------|
| <b>Secondary lock, open base</b><br><br>                      |    | Steel / zinc-plated, CrVI-free, clear passivation <sup>2)</sup>   | N                           | 3,6 | 14,3 | <b>V951L04-1X1AGV</b> |
|  |   | Steel / zinc-plated, CrVI-free, clear passivation <sup>2)</sup>   | N                           | 4,2 | 12,7 | <b>V951L04-1X5AGV</b> |
|  |   | Steel / chrome-plated<br>Interior parts:<br>Steel / zinc-plated, CrVI-free, clear passivation<br>Secondary lock:<br>Stainless steel | N                           | 3,6 | 14,3 | <b>V951L04-1X1AD</b>  |
|  |   | Stainless steel <sup>3)</sup>   | N                           | 3,6 | 14,3 | <b>V951L04-1X1BP</b>  |
|  |   | Stainless steel <sup>3)</sup>   | N                           | 4,2 | 12,7 | <b>V951L04-1X5BP</b>  |
|  |   | Stainless steel <sup>3)</sup>   | S                           | -   | -    | <b>V951L04-1X2BP</b>  |
| <b>Secondary lock, concealed base <sup>4)</sup></b><br><br> |  | Steel / zinc-plated, CrVI-free, clear passivation   | N                           | 4,2 | 12,7 | <b>V951L03-1X5AGV</b> |
|  |   | Steel / chrome-plated<br>Interior parts:<br>Steel / zinc-plated, CrVI-free, clear passivation<br>Secondary lock:<br>Stainless steel | N                           | 3,6 | 14,3 | <b>V951L03-1X1AD</b>  |
|  |   | Stainless steel   | N                           | 3,6 | 14,3 | <b>V951L03-1X1BP</b>  |
|  |   | Stainless steel   | N                           | 4,2 | 12,7 | <b>V951L03-1X5BP</b>  |

For footnotes refer to page F-1.

| Style   | Dimensions   | Materials / Finish   | Mounting Type <sup>1)</sup> | D   | Part No.              |
|---|--|--|-----------------------------|-----|-----------------------|
| <b>Secondary lock, high base</b><br><br> |                                     | Steel / zinc-plated, CrVI-free, clear passivation<br>Secondary lock: Stainless steel <sup>2)</sup> | N                           | 4,2 | <b>V951L05-1X1AGV</b> |
|   |  | Stainless steel <sup>3)</sup>  | N                           | 4,2 | <b>V951L05-1X1BP</b>  |
| <b>Hasp</b><br><br>                    |  <p>Hasp for Padlock Ø 6 max.</p> | Steel / zinc-plated, CrVI-free, clear passivation <sup>2)</sup><br>Base: Steel / zinc-plated       | S                           | -   | <b>V951L01-1Y2AGV</b> |
|   |  | Steel / zinc-plated, CrVI-free, clear passivation <sup>2)</sup>                                    | N                           | 4,2 | <b>V951L01-1Y5AGV</b> |

For footnotes refer to page F-1.

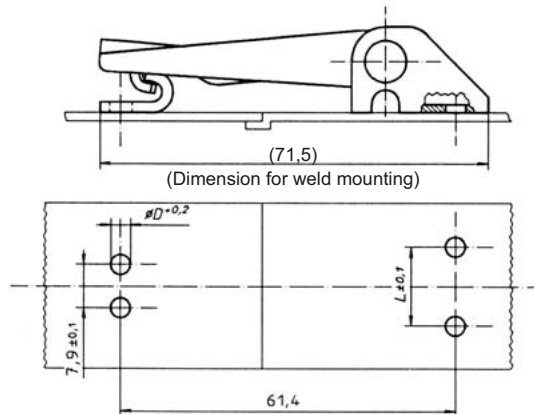
| Style   | Dimensions  | Materials / Finish                                | Mounting Type <sup>1)</sup> | D   | Part No.            |
|---|---|---|-----------------------------|-----|---------------------|
| <b>Open</b><br><br>              |    | Steel / zinc-plated, CrVI-free, clear passivation | N                           | 3,6 | <b>V951L7-1AGV</b>  |
|   |   | Steel / zinc-plated, CrVI-free, clear passivation | N                           | 4,2 | <b>V951L7-5AGV</b>  |
|   |   | Steel / zinc-plated                               | S <sup>2)</sup>             | -   | <b>V951L7-2AZ</b>   |
|   |   | Steel / chrome-plated                             | N                           | 3,6 | <b>V951L7-1AD</b>   |
|   |   | Stainless steel                                   | N                           | 3,6 | <b>V951L7-1BP</b>   |
|   |   | Stainless steel                                   | N                           | 4,2 | <b>V951L7-5BP</b>   |
|   |   | Stainless steel                                   | S                           | -   | <b>V951L7-2BP</b>   |
| <b>Closed</b><br><br>           |   | Steel / zinc-plated, CrVI-free, clear passivation | N                           | 4,2 | <b>V951L50-1AGV</b> |
|   |   | Stainless steel                                   | N                           | 4,2 | <b>V951L50-1BP</b>  |
|   |   | Stainless steel                                   | N                           | 3,6 | <b>V951L50-2BP</b>  |
|   |   | Stainless steel                                   | S                           | -   | <b>V951L50-3BP</b>  |
| <b>Corner mounting</b><br><br> |  | Steel / zinc-plated, CrVI-free, clear passivation | N                           | 4,2 | <b>V951L52-1AGV</b> |
|   |   | Stainless steel                                   | N                           | 4,2 | <b>V951L52-1BP</b>  |

<sup>1)</sup> Mounting type: N = With holes for riveting or screw fixing  
S = Without holes, for welding

<sup>2)</sup> Material C45, HRC 36-39 steel, please use high-alloy filler welding rods

Dimensions

**Open-base tension latch / open strike**

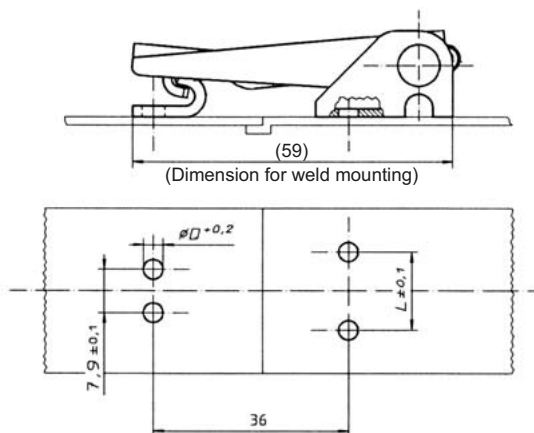


V951L02-  
V951L04-  
V951L01-

V951L7-

Select diameter D and distance L in accordance with the strike and tension latch style.

**Concealed-base tension latch / open strike**

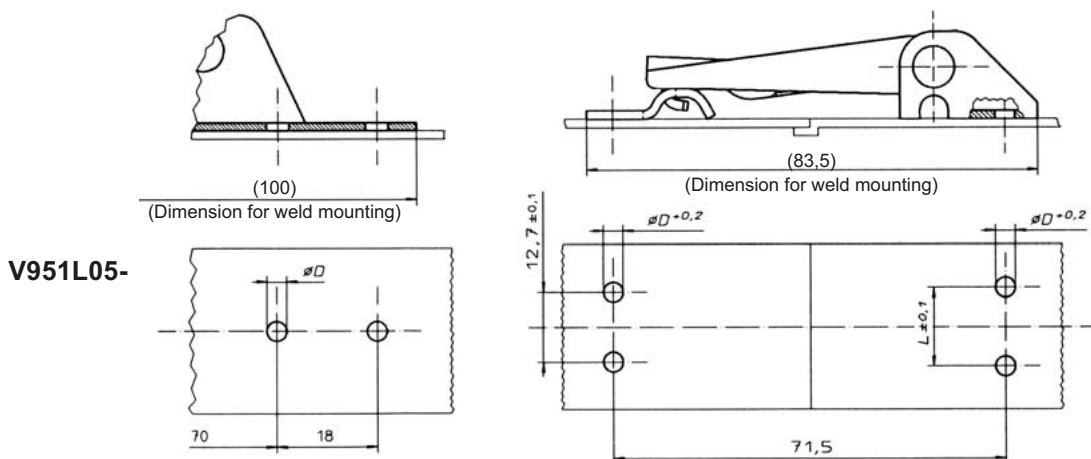


V951L03-

V951L7-

Select diameter D and distance L in accordance with the strike and tension latch style.

**Open-base tension latch / closed strike**



V951L02-  
V951L04-  
V951L01-

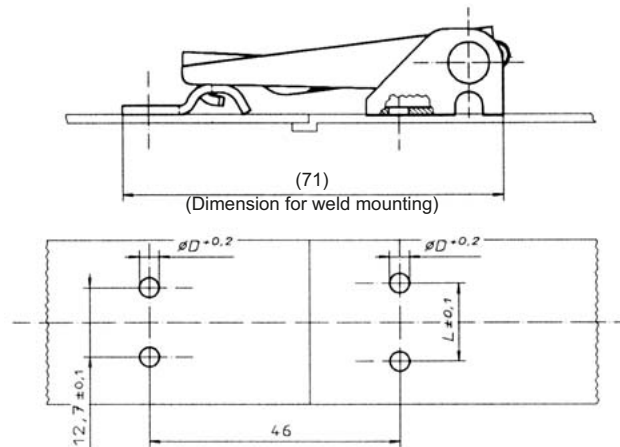
V951L50-

V951L05-

Select diameter D and distance L in accordance with the strike and tension latch style.

Dimensions

**Concealed-base tension latch / closed strike**

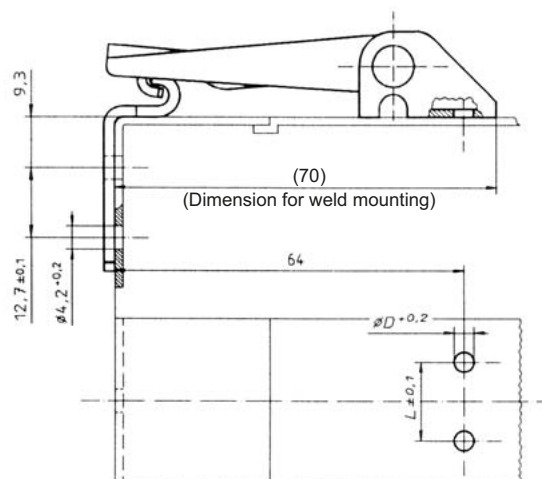


V951L03-

V951L50-

Select diameter D and distance L in accordance with the strike and tension latch style.

**Open-base tension latch / corner-mounting strike**



V951L02-

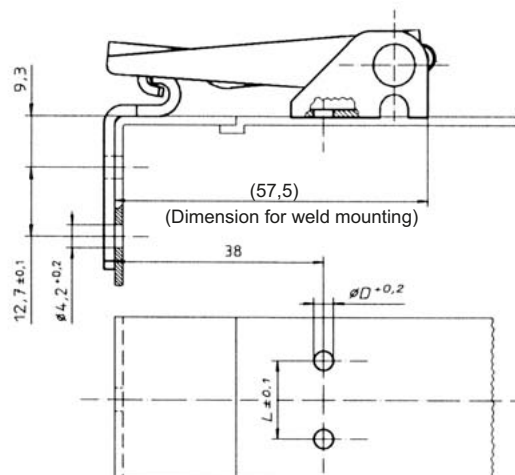
V951L04-

V951L01-

V951L52-

Select diameter D and distance L in accordance with the strike and tension latch style.

**Concealed-base tension latch / corner-mounting strike**



V951L03-

V951L52-

Select diameter D and distance L in accordance with the strike and tension latch style.