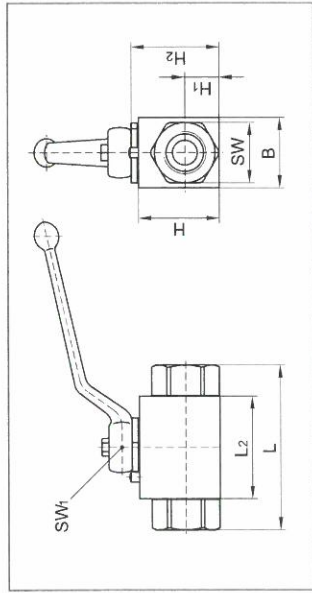


2-way ball valves with threaded connector

Steel · DN 4 - DN 40/25



Handle included in delivery
Please check pressure rating of the pipe fittings!
For actuators and handles refer to "Attachments, accessories"
Custom orders on request
All dimensions subject to change without notice

Dimensions in mm
Weight in kg
Pressure in bar

Body: steel, black oxide
Ball: steel, hard chrome plated
Stem: steel, zinc plated
Ball seals: POM
Stem seals: NBR

steel, black oxide
steel, hard chrome plated
steel, zinc plated
PTFE-Comp.3
FKM

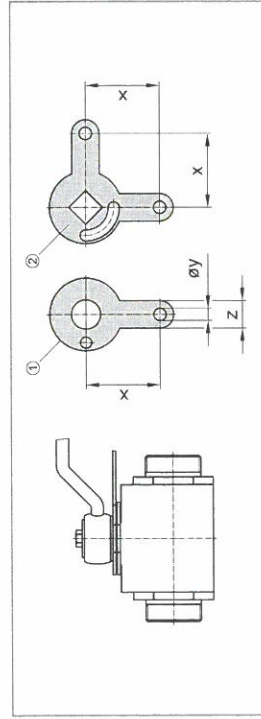
steel, black oxide
steel, hard chrome plated
steel, zinc plated
POM
FKM

steel, black oxide
steel, hard chrome plated
steel, zinc plated
metal
FKM

Connection	DN	Thread	D	OD	L	L1	L2	B	H	H1	H2	SW	SW1	Handle Code	Weight	DN	Article-No.	Article-No.	Article-No.	Article-No.	PN	Article-No.	Article-No.	Article-No.
For cut (clamp) ring tube fittings DIN 2353 light series ISO 8434-1	4	M12 x 1,5	-	6	67	10	36	20	25	10,0	27,5	19	7	12	0,20	4	100 001	100 051	100 671	500	100 001	500	101 401	
	6	M14 x 1,5	-	8	67	10	36	20	25	10,0	27,5	19	7	12	0,20	6	100 002	100 052	100 672	500	100 002	500	101 402	
	8	M16 x 1,5	-	10	75	11	45	30	35	14,5	38,5	24	8	13	0,42	8	100 003	100 053	100 673	500	100 003	500	101 403	
	10	M18 x 1,5	-	12	75	11	45	30	35	14,5	38,5	24	8	13	0,42	10	100 004	100 054	100 674	500	100 004	500	101 404	
	12	M22 x 1,5	-	15	83	12	51	35	40	17,0	43,5	30	10	14	0,63	12	100 005	100 055	100 675	500	100 005	500	101 405	
	16	M26 x 1,5	-	18	82	12	50	45	45	20,0	48,5	36	10	14	0,85	16	100 006	100 056	100 676	420	100 006	420	101 406	
	20	M30 x 2	-	22	99	14	60	55	55	24,0	59,0	41	14	15	1,21	20	100 007	100 057	100 677	250	100 007	250	101 407	
	25	M36 x 2	-	28	108	14	70	55	60	26,0	64,0	50	14	15	1,75	25	100 008	100 058	100 678	420	100 008	420	101 408	
	32/25	M45 x 2	-	35	116	16	70	55	60	26,0	64,0	50	14	15	1,88	32/25	100 037	100 087	100 842	250	100 037	250	101 409	
	40/25	M52 x 2	-	42	121	16	70	55	60	26,0	64,0	55	14	15	2,05	40/25	100 038	100 088	100 843	420	100 038	420	101 410	
	For cut (clamp) ring tube fittings DIN 2353 heavy series ISO 8434-1	4	M16 x 1,5	-	8	73	12	36	20	25	10,0	27,5	19	7	12	0,22	4	100 009	100 059	100 679	500	100 009	500	101 411
		6	M18 x 1,5	-	10	73	12	36	20	25	10,0	27,5	19	7	12	0,22	6	100 010	100 060	100 680	500	100 010	500	101 412
		8	M20 x 1,5	-	12	77	12	45	30	35	14,5	38,5	24	8	13	0,43	8	100 011	100 061	100 681	500	100 011	500	101 413
		10	M22 x 1,5	-	14	81	14	45	30	35	14,5	38,5	24	8	13	0,44	10	100 012	100 062	100 682	500	100 012	500	101 414
		12	M24 x 1,5	-	16	87	14	51	35	40	17,0	43,5	30	10	14	0,65	12	100 013	100 063	100 683	500	100 013	500	101 415
		16	M30 x 2	-	20	90	16	50	45	45	20,0	48,5	36	10	14	0,89	16	100 014	100 064	100 684	420	100 014	420	101 416
20		M36 x 2	-	25	107	18	60	45	55	24,0	59,0	41	14	15	1,29	20	100 015	100 065	100 685	420	100 015	420	101 417	
25		M42 x 2	-	30	120	20	70	55	60	26,0	64,0	50	14	15	1,88	25	100 016	100 066	100 686	420	100 016	420	101 418	
32/25		M52 x 2	-	38	134	22	70	55	60	26,0	64,0	55	14	15	2,20	32/25	100 039	100 089	100 844	420	100 039	420	101 419	
BSP-female thread DIN EN ISO 228-1		4	G 1/8	-	69	12	36	20	25	10,0	27,5	19	7	7	12	0,22	4	100 017	100 067	100 687	500	100 017	500	101 420
		6	G 1/4	-	69	12	36	20	25	10,0	27,5	19	7	7	12	0,21	6	100 018	100 068	100 688	500	100 018	500	101 421
		8	G 3/8	-	73	14	45	30	35	14,5	38,5	24	8	13	0,43	8	100 019	100 069	100 689	500	100 019	500	101 422	
		10	G 1/2	-	82	15	51	35	40	17,0	43,5	30	10	14	0,67	10	100 020	100 070	100 690	500	100 020	500	101 423	
		12	G 5/8	-	88	18	50	45	45	20,0	48,5	36	10	14	0,97	12	100 021	100 071	100 691	420	100 021	420	101 424	
		16	G 3/4	-	88	18	50	45	55	24,0	59,0	41	14	15	1,28	16	100 022	100 072	100 692	420	100 022	420	101 425	
		20	G 1	-	83	18	60	45	55	24,0	59,0	41	14	15	1,28	20	100 023	100 073	100 693	250	100 023	250	101 426	
	25	G 1 1/4	-	115	18	70	55	60	26,0	64,0	50	14	15	2,00	25	100 024	100 074	100 694	420	100 024	420	101 427		
	32/25	G 1 1/2	-	134	20	70	55	60	26,0	64,0	50	14	15	2,05	32/25	100 047	100 097	100 845	420	100 047	420	101 427		
	40/25	G 1 1/2	-	139	22	70	55	60	26,0	64,0	55	14	15	2,20	40/25	100 048	100 098	100 846	420	100 048	420	101 428		
	NPT-female thread ANSI/ASME B1.20.1-1963	4	1/8-27 NPT	-	69	6,9	3,6	20	25	10,0	27,5	19	7	7	12	0,22	4	100 024	100 074	100 694	500	100 024	500	101 429
		6	1/4-18 NPT	-	69	10,0	3,6	20	25	10,0	27,5	19	7	7	12	0,21	6	100 025	100 075	100 695	500	100 025	500	101 430
		8	3/8-18 NPT	-	73	10,3	4,5	30	35	14,5	38,5	24	8	13	0,43	8	100 026	100 076	100 696	500	100 026	500	101 431	
		10	1/2-14 NPT	-	82	13,6	5,1	35	40	17,0	43,5	30	10	14	0,67	10	100 027	100 077	100 697	500	100 027	500	101 432	
		12	3/4-14 NPT	-	83	14,1	6,0	45	55	24,0	59,0	41	14	15	1,30	12	100 028	100 078	100 698	420	100 028	420	101 433	
		16	1-11/2 NPT	-	115	16,8	7,0	55	60	26,0	64,0	50	14	15	2,00	16	100 029	100 079	100 699	420	100 029	420	101 434	
20		1 1/4-11/2 NPT	-	134	17,3	7,0	55	60	26,0	64,0	50	14	15	2,05	20	100 049	100 099	100 847	420	100 049	420	101 435		
25		1 1/2-11/2 NPT	-	138	17,3	7,0	55	60	26,0	64,0	55	14	15	2,44	25	100 050	100 100	100 848	420	100 050	420	101 436		

Attachments, accessories

Locking devices for 2- and multi-way ball valves with floating ball · Steel and stainless steel



For dimensions and article-numbers for ball valve bodies refer to the respective chapter.

Locking devices for other types of ball valves on request.

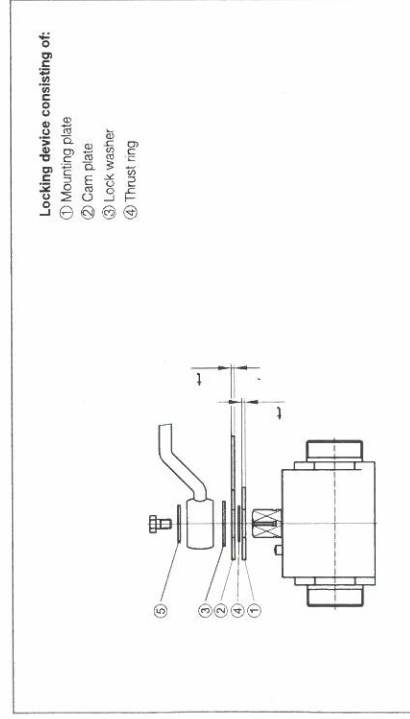
All dimensions subject to change without notice

Also completely assembled available

Material: stainless steel

Switching position	DN	t	x	y	z	Article-No.
	4/6	0,80	18	9	20	100 836
	8/10	1,20	21	9	20	100 837
	12	1,20	29	9	20	100 838
	16	1,20	29	9	20	100 838*
	20/25	1,50	34	9	20	100 840
	32/40/50	1,75	54	9	20	100 841

* DN 16 stainless steel 100840



Locking device consisting of:

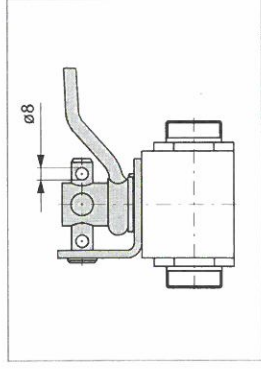
- ① Mouting plate
- ② Cam plate
- ③ Lock washer
- ④ Thrust ring

For dimensions and article-numbers for ball valve bodies refer to the respective chapter.

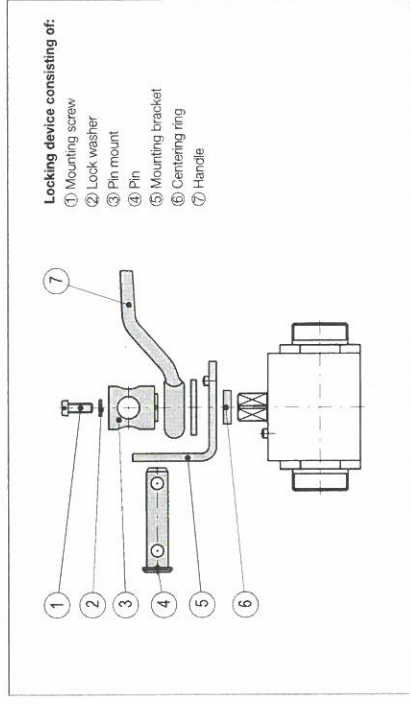
Locking devices for other types of ball valves on request.

All dimensions subject to change without notice

Also completely assembled available

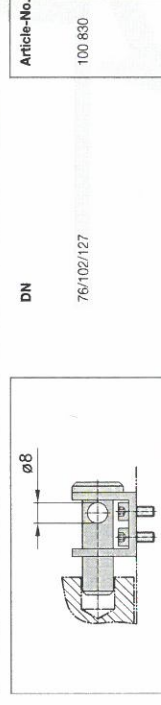


Switching position	DN	Steel Article-No.	Stainless steel Article-No.
	4/6	100 821	100 831
	8/10	100 822	100 832
	12	100 823	100 833
	16	100 823	100 834
	20	100 825	100 834
	25	100 825	100 834
	32	100 826	100 835
	40	100 826	100 835
	50	100 826	100 835



Locking device consisting of:

- ① Mouting screw
- ② Lock washer
- ③ Pin mount
- ④ Pin
- ⑤ Mouting bracket
- ⑥ Centering ring
- ⑦ Handle



DN

76/102/127

Article-No.

100 830

NEW!