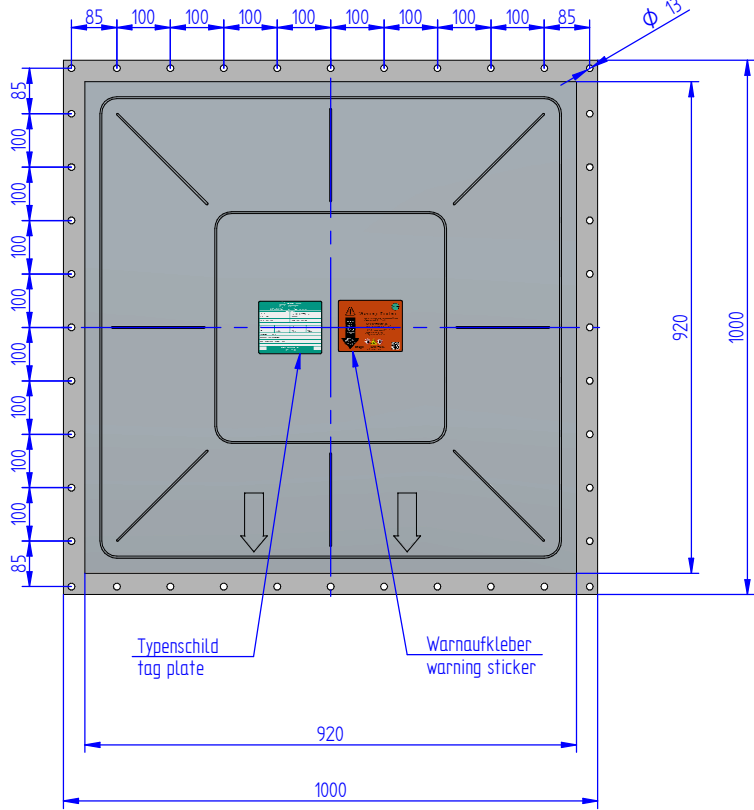


Zubehör (nicht im Lieferumfang): - Gewindebolzen - Accessories (not in scope of supply): - threaded bolts
- Muttern - nuts
- Unterlegscheiben - washers

max. 6 (inkl. Dichtung)
(incl. gasket)




Öffnungsverhalten
opening characteristics

schematische Konturdarstellung
contour just an example

A3 scale: 1:10 page: 1/1 **KD**

Customer:

Commission No.:



REMBE® GmbH
Safety + Control
Brilon, Germany

Explosionsdruckentlastung
Explosion Venting
EGV 920x920

dimensional unit: mm language: DE / GB

This document is protected by copyright. Any transmission, reproduction, sharing or use etc. to third parties is not permitted without the prior written consent of REMBE® GmbH Safety + Control. Technical changes and amendments reserved.

6	CIB	17.03.2016	VHe	17.03.2016	Design
5	GJ	17.11.2015	VHe	17.11.2015	Layout
4	AD	06.08.2010	Bu	06.08.2010	Layout
3	--	--	--	--	--
2	NSch	23.06.2005	Bu	23.06.2005	Layout
1	NSch	20.05.2005	Bu	20.05.2005	EGV-Design
Rev	drwn	date	appd	date	note
Drw.-No.: 04-12-10					General tolerances ISO 2768-mK Surface ISO 1902 Edges ISO 13715 Tolerances ISO 8015
EGV 920x920_Rev6.dft					N:\SE-CADEX-GO-VENT\920x920\EGV 920x920_Rev6.dft

Öffnungsfläche: 8500 cm²
venting area: 8500 cm²