

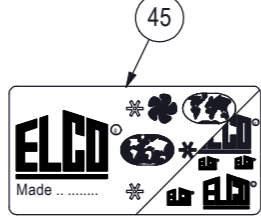
CODE: BTNB41TB0387S
TYPE: 1BT 70-45-1V NA

| | | |
|---------|----------|----------|
| 230V ~ | 50/60Hz | 0,77A |
| 70/175W | TH.PROT. | INS.CL.B |
| 1100Rpm | C=4µF | 450VL |

ROTATION ←

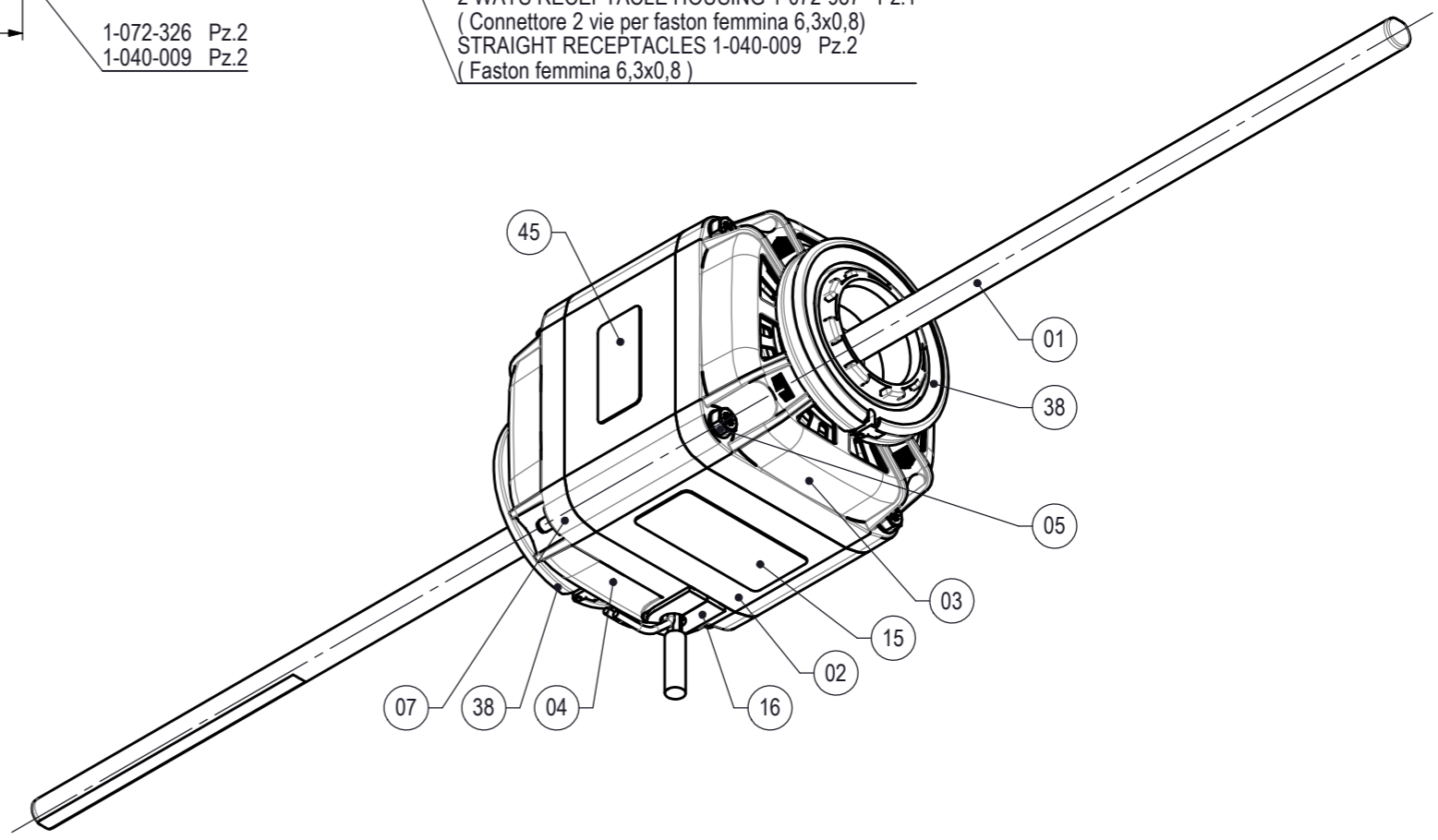
DATA

BLUE LINE
BROWN LINE
YELLOW
GREEN
YELLOW/GREEN



CLASS "B" MOTOR - SLEEVE BEARINGS MANUFACTURED
(Motore in classe "B" - Esecuzione a Bronzine)

| | |
|---|-----------------|
| AXIAL CLEARANCE (Gioco assiale) | 0,5 - 2,5 mm |
| COVER - LEADS SIDE (Coperchio lato Cavi) | OPEN (Aperto) |
| COVER - OPPOSITE LEADS SIDE (Cop. lato opposto cavi) | OPEN (Aperto) |
| ASSEMBLING SPECIFICATION No. (Normativa per note di montaggio) | EL.UN.0002 |
| MECHANICAL SPECIFICATION No. (Normativa per note di controllo meccanico) | EL.CM.0001 |
| ELECTRICAL SPECIFICATION No. (Controllo elettrico con prescrizione) | M.2227/1 |



| | | | | | | |
|--|--|--|--|--|----|------------------|
| For dimension without tolerance see standard UNI EN 22768-mK | | | | Treatment | A3 | Release A |
| Material | | | | | | |
| | | | | Weight gr. | | |
| Drawn Pedrini R. Date 28-01-2014 Check T. Sirtori Scale --- | | | | BT MOTOR - MOTORE BT SEMILAV. 1BT 70-45-1V NA 230V 50/60Hz Th.Prot. CL.B | | Ref. No |
| Mod. 16/0066 A.T. Pedrini R. E. Crippa Checked | | | | BTNB41TB0387S1 | | |