



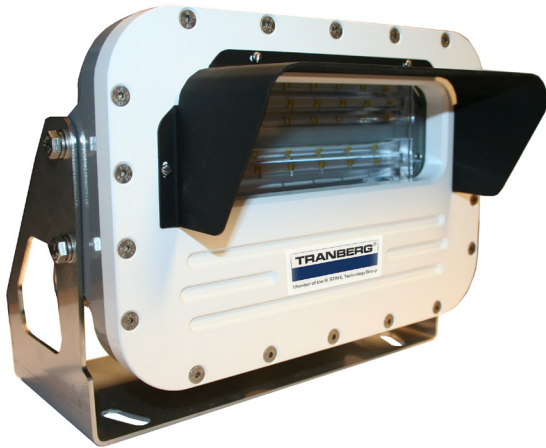
HELIDECK FLOODLIGHT

TEF 9970 Ex d e

LED

ZONE 1 , ZONE 2 & SAFE AREA

Subject to change without prior notice TPS4366 REV. G 10.07.2017



Luminaires designed and manufactured by Tranberg are intended for use in rough environments, and to meet applicable international standards. The new LED floodlight TEF 9970 by Tranberg sets a new standard in the industry as it has a wider operating temperature range, along with several new features.

The LED light source provides a hugely longer lifetime expectancy than xenon light bulbs, while the special designed optics ensure an ideal coverage of the helideck surface without giving glare to pilots in the critical landing process. As an option, a dimming functionality may be installed, which reduces light output to 50% when and if required. The operating voltage span is wide, and absorbs voltage variances and spikes without resulting in flickering or changes in light output.

The innovative design is also great news for service and maintenance personnel, as it is a sealed unit which requires no inspection of traditional flame paths.

Helideck equipment manufactured by Tranberg is delivered to off-shore installations, oil tankers and supply ships, hotels and hospitals landing areas all over the world.

APPLICATION

- Floodlight for helideck landing areas
- For use in hazardous areas
- Floodlighting

FEATURES AND BENEFITS

- Rugged and low profile floodlight made from marine proofed aluminum
- Sealed for life
- Simple to install and maintain
- Light module is maintenance free
- Proven ingress protection
- Resistant to vibrations
- Complies with: ICAO Annex 14 Vol. II; CAP437; NORSOK C-004 2013

APPROVALS AND CERTIFICATES

IECEX Pre 14.0060
Presafe 14ATEX5703

TECHNICAL DATA

| | |
|--------------------------------|---|
| Housing: | Marine Aluminum, powder coated Safety glass Borofloat®33 |
| Input voltage: | 100-277 VAC; 145-380 VDC |
| Light output: | 3100 lm, 4000K |
| Power consumption: | Approx. 45W |
| IP-rating: | IP66 (According to EN 60529) |
| Weight: | 11Kg |
| Mounting: | Four mounting holes Ø12mm |
| Cable entries: | 2 x M25 entries. Delivered with 2 x M25 cable glands, Ø11-20.1mm. |
| Operation temperature: | -40°C to +55°C |
| ATEX/Ex classification: | |
| -55°C to +55°C: | Ex II 2G Ex d e op is IIB+H ₂ T4 Gb |
| -55°C to +40°C: | Ex II 2G Ex d e op is IIB+H ₂ T5 Gb |
| Area of use: | Zone 1, Zone 2, safe area |
| Lifetime (MTBF): | 50000 hours |



R. Stahl Tranberg AS
E info@stahl-tranberg.com | stahl-tranberg.com
Main office: Strandsvingen 6 | N-4032 Stavanger | Norway | T +47 51 57 89 00 | F +47 51 57 89 50
Office Oslo: Lohrtoppen 2 | N-1470 Lørenskog | Norway | T +47 24 08 44 10

TEF 9970 HELIDECK FLOODLIGHT LED, ZONE 1 & 2

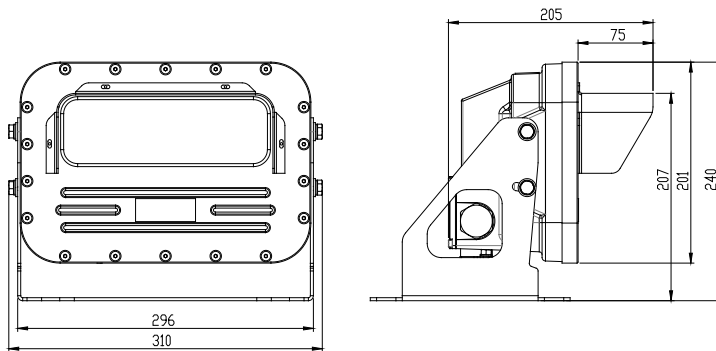
DESCRIPTION

| | Part No. |
|---|-----------------|
| TEF 9970 LED Helideck Floodlight, Wide beam | 9970 100 |
| TEF 9970 LED Helideck Floodlight, Medium beam | 9970 200 |
| TEF 9970 LED Helideck Floodlight, Spot beam | 9970 300 |

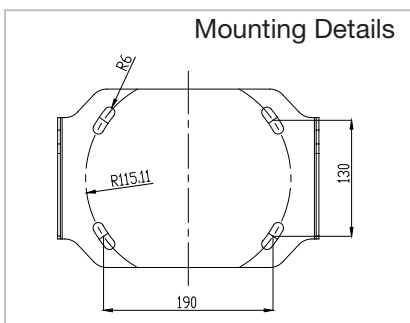
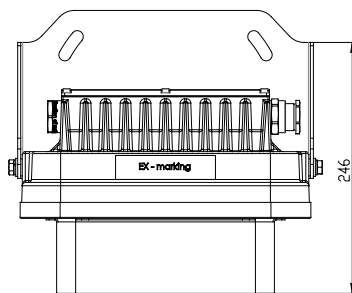
SPARE PARTS

| | Part No. |
|--|-----------------|
| Cable Gland Exe E204/M25/D1 Cable diameter 15,0 - 20,1 | 622 25 15 |
| Cable Gland Exe E204/M25/D2 Cable diameter 11,0 - 15,0 | 622 25 25 |
| Cable Gland Exe E204/M25/C1 Cable diameter 9,0 - 14,3 | 622 25 35 |
| Anti-glare hood for floodlight | 50500184 |
| Screws for Anti-glare hood (4 pieces needed) | 51010020 |
| Cover for junction box (incl. gasket and screws) | 5603 |
| Unit connecting terminal | 5607 |
| Drain Plug | 7302701 |

DIMENSIONS

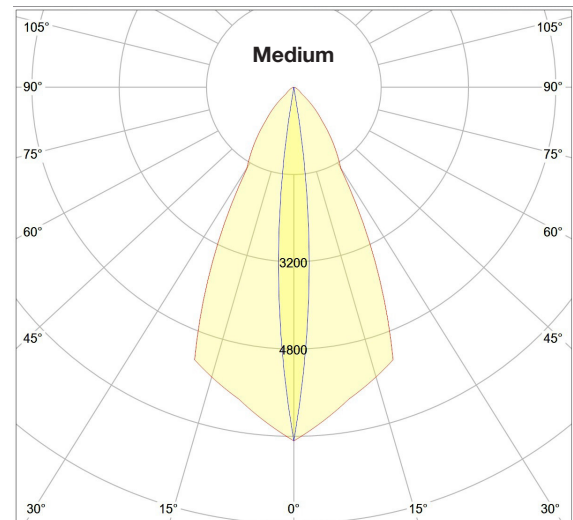


997A108285



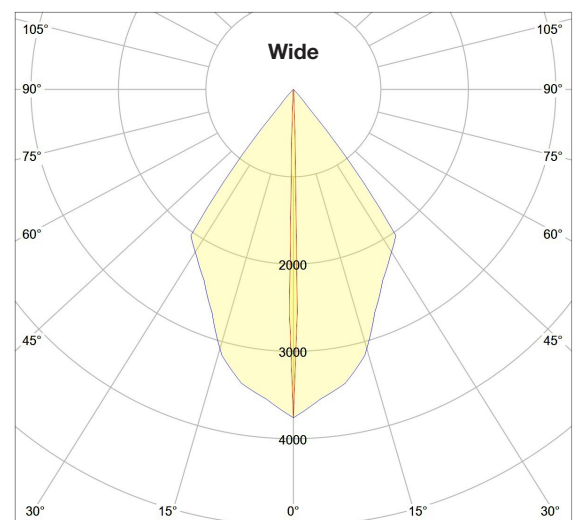
997A108863

LIGHT DISTRIBUTION



cd/klm
— C0 - C180 — C90 - C270

$\eta = 65\%$



cd/klm
— C0 - C180 — C90 - C270

$\eta = 20\%$



R. Stahl Tranberg AS

E info@stahl-tranberg.com | stahl-tranberg.com

Main office: Strandsvingen 6 | N-4032 Stavanger | Norway | T +47 51 57 89 00 | F +47 51 57 89 50

Office Oslo: Luhrtoppen 2 | N-1470 Lørenskog | Norway | T +47 24 08 44 10