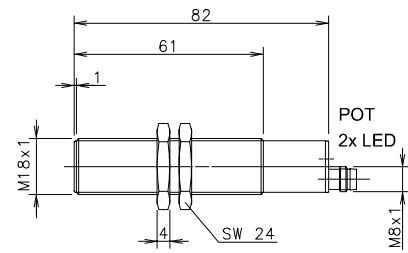
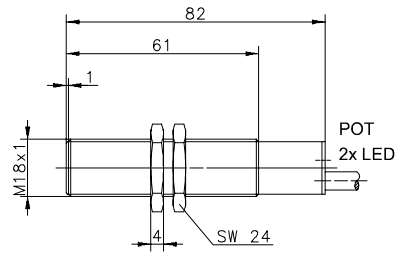


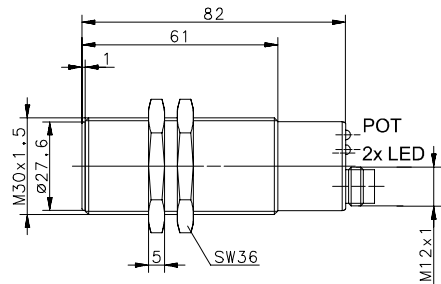
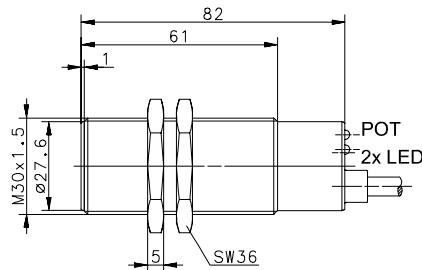
Technical Data

Capacitive Proximity Switch

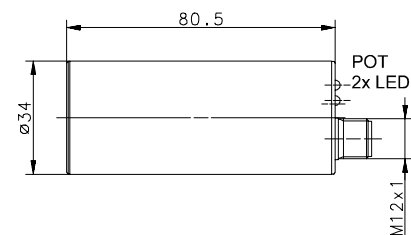
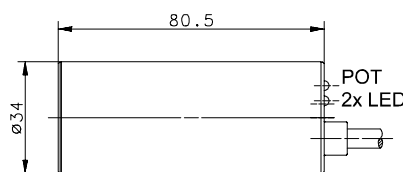
Series M18, M30 and Ø34 flush - DC



Mounting flush	Type M18x1 Enclosure: Brass			
	2m cable		M8 male plug	
S _n	5mm			
S _r	1-5mm			
Output	N.O.	N.C.	N.O.	N.C.
NPN	6507305001	6507105001	6507305004	6507105004
PNP	6507905001	6507705001	6507905004	6507705004



Mounting non flush	Type M30x1,5 Enclosure: Brass			
	2m cable		M12 male plug	
S _n	10mm			
S _r	2-10mm			
Output	N.O.	N.C.	N.O.	N.C.
NPN	6507307001	6507107001	6507307004	6507107004
PNP	6507907001	6507707001	6507907004	6507707004



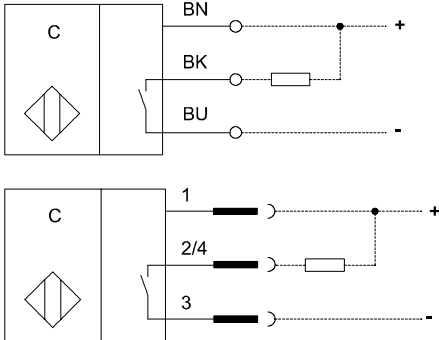
Mounting flush	Type Ø34 Enclosure: Brass			
	2m cable		M12 male plug	
S _n	20mm			
S _r	5-20mm			
Output	N.O.	N.C.	N.O.	N.C.
PNP	6507915005		6507915006	

This document will not become the contractual basis; the details included herein do not constitute any descriptions of expected conditions, so that warranties/claims for defects on account of possible variations of the actual qualities from the qualities described herein are explicitly excluded. All rights reserved. Specifications subject to change without notice!

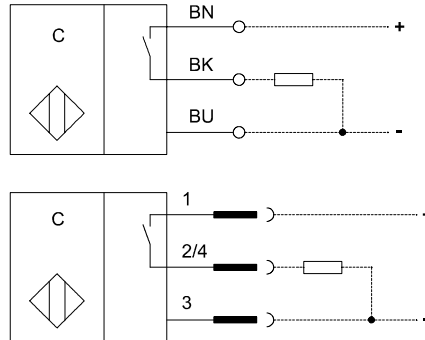
Date of issue: 03.05.2005 / Page 1 of 3
 Document : 7100012_en / Last update: 3 / 0308-05

Wiring diagrams NPN and PNP normally open / N.O.

NPN – Proximity Switch

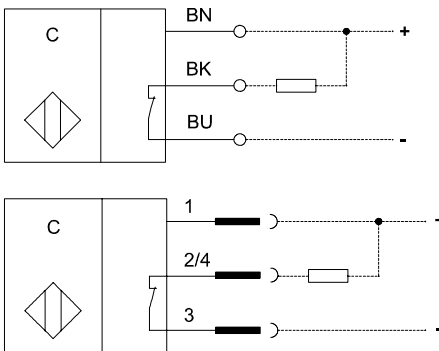


PNP - Proximity Switch

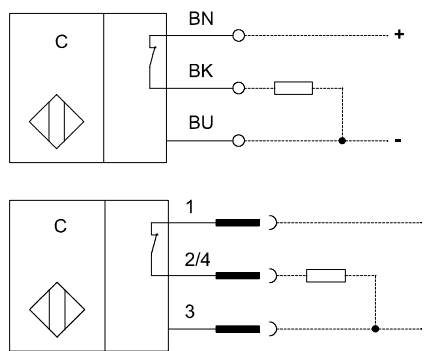


Wiring diagrams NPN and PNP normally closed / N.C.

NPN – Proximity Switch

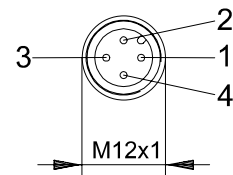
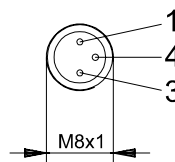


PNP - Proximity Switch



Male plug M8x1 / M12x1 and corresponding colours

pin number	colour	code
1	brown	BN
2	-	-
3	blue	BU
4	black	BK



This document will not become the contractual basis; the details included herein do not constitute any descriptions of expected conditions, so that warranties/claims for defects on account of possible variations of the actual qualities from the qualities described herein are explicitly excluded. All rights reserved. Specifications subject to change without notice!

Date of issue: 03.05.2005 / Page 2 of 3
Document : 7100012_en / Last update: 3 / 0308-05

Technical Data

Capacitive Proximity Switch

Identifying characteristics in accordance with EN 60947-5-2

Electrical data		
Rated operating distance	S_n	see overview
Mounting		flush
Standard target		M18x1 = 18x18x1mm; M30x1,5 = 30x30x1mm; Ø34 = 60x60x1mm material: steel
Effective operating distance	S_r	see overview S_r adjustable with potentiometer (POT); turn right $\hat{=}$ high sensitivity, turn left $\hat{=}$ low sensitivity
Assured operating distance	S_a	$0 \leq S_a \leq 0,8 \cdot S_r$
Switching element function		see overview
Repeat accuracy	R	$\leq 0,1 \cdot S_r$
Differential travel (hysteresis)	H	$\leq 0,2 \cdot S_r$
Frequency of operating cycles	f	$\approx 25\text{Hz}$
Rate doperational voltage	U_e	12V - 48V DC (Ø34 = 12 – 24V DC)
Operational voltage range	U_B	10V - 60V DC (Ø34 = 10 – 36V DC)
Rated insulation voltage	U_i	75V DC
Rated impulse withstand voltage	U_{imp}	500V
Voltage drop	U_d	M18x1 $\leq 2\text{V DC}$; M30x1,5 $\leq 3\text{V DC}$; Ø34 $\leq 1,5\text{V DC}$ (@ max. I_e)
Utilization category		DC-13(Switching element)
Rated operational current	I_e	$\leq 200\text{mA DC}$ @ M18x1 and Ø34 $\leq 400\text{mA DC}$ @ M30x1,5
Minimum operational current	I_m	$\geq 1\text{mA DC}$
Off-state current	I_r	$\leq 0,5\text{mA DC}$
No-load supply current	I_o	$\leq 20\text{mA DC}$
Switching element		permanent overload and s.c.p.
Short-circuit protection		pulsed
Rated conditional short-circuit current		100A
Rated supply frequency		DC
False polarity protection		with permutation of +, -, output no damage occurs
Time delay before availability	t_v	$\leq 50\text{ms}$

Elektromagnetische Verträglichkeit (EMV)		
Hochfrequenzbeeinflussungsfestigkeit	IEC 61000-4-3	3V/m, 80...1000MHz
Elektrostatische Entladungsfestigkeit	IEC 61000-4-2	4kV CD
Schnelle Transientenfestigkeit (Burst)	IEC 61000-4-4	1kV coupling clamp
Stoßspannungsfestigkeit (Surge)	IEC 61000-4-5	500V, 1,2/50µs @ $R_i = 42\Omega$
Störaussendung	EN 55011	$\leq 40\text{dB}$ (µV/m)

Mechanical Data	
Enclosure	Brass, nickel plated
Front cap	PTFE
End cap	PA 6.6 black
Ambient air temperature	-25°C ... +70°C (Ø34: -15°C ... +50°C)
Type of protection	M30x1 and Ø34 = IP67 (NEMA 4) (Male plug version: only with screwed plug-in-connector) M18x1 = IP65 (NEMA12)
Pollution degree	3 (Pollution of the active zone can cause impairments of the operating distances.)
Indication	Power ON = LED green Output ON = LED yellow
Termination type	Cable 3x0,5mm ² x 2m, PVC-outer jacket black Male plug M8x1, brass, nickel plated @ M18x1 Male plug M12x1, PA @ M30x1,5 Male plug M12x1, brass, nickel plated @ Ø34
For attachment	M18x1 und M30x1,5 = hexagon nut; brass, nickel plated

EU Conformity	CE
---------------	----

This document will not become the contractual basis; the details included herein do not constitute any descriptions of expected conditions, so that warranties/claims for defects on account of possible variations of the actual qualities from the qualities described herein are explicitly excluded. All rights reserved. Specifications subject to change without notice!

Date of issue: 03.05.2005 / Page 3 of 3
Document : 7100012_en / Last update: 3 / 0308-05