

SE 6-CYLINDER MARINE ENGINES

FACTS

- Power range: 88 - 215 kW
- Displacement: 3.2 lt
- Dry weight: 340 kg



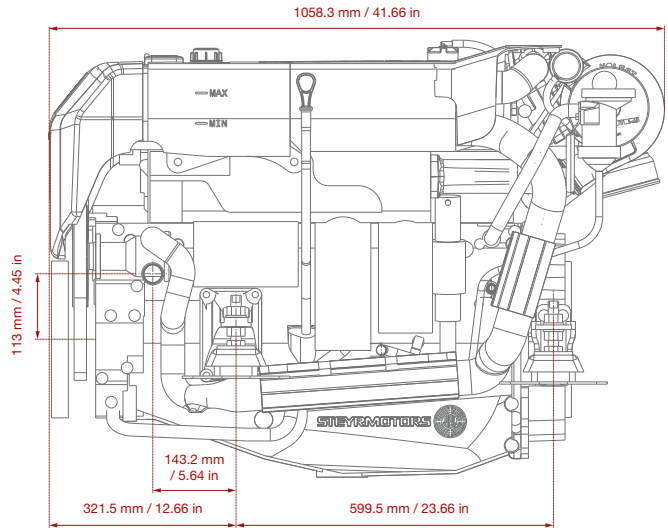
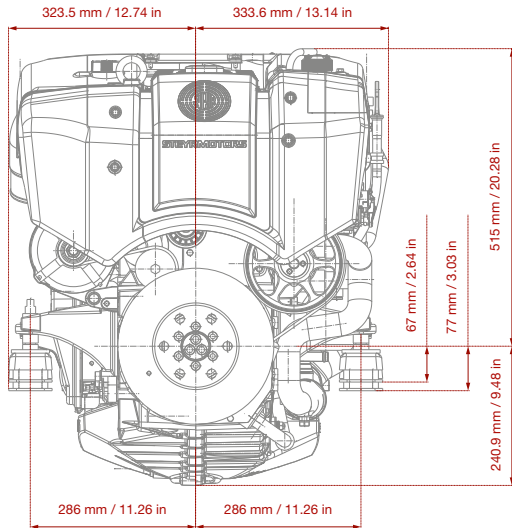
The SE 6-cylinder engine series of STEYR MOTORS has a vast application potential as well as a huge variety of options to individualize the engines. With a remarkable power to weight ratio and a most compact design, the engines of this series are all-rounders on the global commercial and leisure market. Due to its excellent torque and speed range, the still growing SE 6-cylinder series masters all challenges with ease.

MAIN FEATURES

- Perfectly suited for commercial and leisure applications
- Dual circuit cooling system with corrosion resistant materials
- Excellent performance and highest durability
- Compact and lightweight design
- SOLAS approved, EPA Tier III certified, many other certificates
- Different propulsion systems can be installed
- Sterndrive packages with Bravo One, Two and Three available
- Various accessory and installation options & kits available, e.g. fuel density kit, additional alternators, AC compressor, preparation for keel cooling, Marex ECS, SCC 2 etc.



See more applications on our website or contact us for further references.



	SE 126E25	SE 156E26	SE 156E32	SE 196E35	SE 236E40	SE 236S36	SE 266E40	SE 266S36	SE 286E40	SE 306J38
RATED POWER (KW/HP)	88/120	110/150	110/150	140/190	170/231	170/231	190/258	190/258	205/279	215/292
RATED SPEED (RPM)	2500	2600	3200	3500	4000	3600	4000	3600	4000	3800
MAX. TORQUE (NM @ RPM)	390 @ 1800	450 @ 1800	450 @ 1800	445 @ 2050	470 @ 2550	540 @ 1800	530 @ 2300	600 @ 1800	570 @ 2550	588 @ 3300
DRY WEIGHT (KG)	340	340	340	340	340	340	340	340	340	340
CERTIFICATES	SOLAS, RCD, EPA Tier III, RINA, IMO EAPP, EIAPP/MARPOL, BSO II, ZSUK, RMRS		RCD, EPA Tier III, RMRS	SOLAS, RCD, EPA Tier III, RINA, IMO EAPP, EIAPP/MARPOL, IMO Nox, 9768EC Rhein, BSO II, ZSUK, RMRS				SOLAS, RCD, EPA Tier III, RINA, IMO EAPP, EIAPP/MARPOL, IMO Nox, 9768EC Rhein, ZSUK		
PROPULSION SYSTEMS	Ⓣ	Ⓣ	Ⓣ	Ⓣ	Ⓣ	Ⓣ	Ⓣ	Ⓣ	Ⓣ	
Ⓣ TRANSMISSION			Ⓢ	Ⓢ	Ⓢ	Ⓢ	Ⓢ	Ⓢ	Ⓢ	
Ⓢ STERNDRIVE										
Ⓤ WATER JET			Ⓤ	Ⓤ	Ⓤ		Ⓤ		Ⓤ	Ⓤ

OVERALL CHARACTERISTICS

- Direct injection Diesel engines
- 4-stroke, turbocharged
- 3.2 lt displacement
- 85 mm bore, 94 mm stroke
- Dual circuit cooling / Internal & Fresh water cooling
- CAN bus J1939