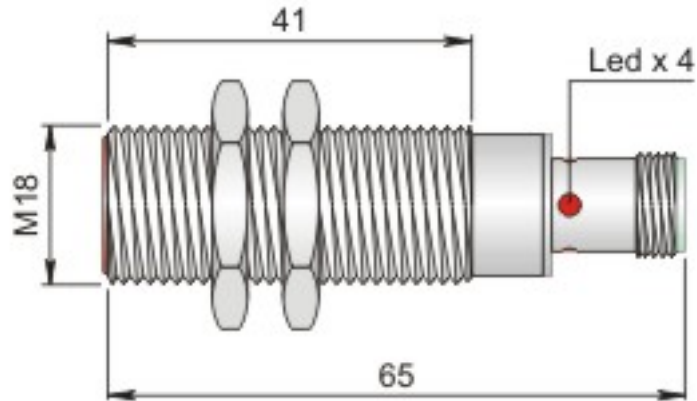




CODE : **I18000018** DESCRIPTION : **SI18-B5 NO H**



KEY: ■ Standard switching distance ★ Extended switching distance ▲ Embeddable ● Not embeddable

TECHNICAL CHARACTERISTICS

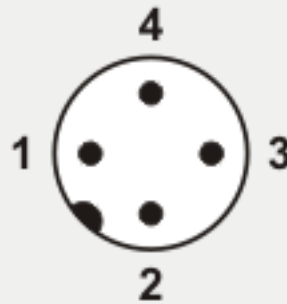
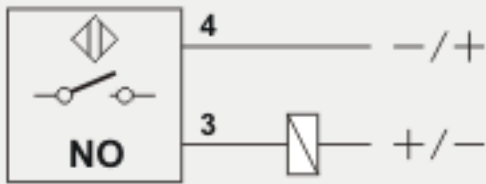
POWER SUPPLY	DIRECT CURRENT
WORKING VOLTAGE	10 ÷ 55 V
SWITCHING DISTANCE (Sn)	5 mm
OUTPUT TYPE	NO
HYSTERESIS (% Sn)	< 10%
MAX SWITCHING FREQUENCY	1000 Hz
REPEATABILITY (% Sn)	≤ 3
MAX OUTPUT CURRENT	100 mA
MIN OUTPUT CURRENT	1.5 mA
VOLTAGE DROP	< 6.5 V
SHORT CIRCUIT PROTECTION	PRESENT
LED	PRESENT
TEMPERATURE LIMITS	-25 ÷ +70 °C
IP RATING	DEPENDING ON CONNECTOR
HOUSING MATERIAL	NICKELLED BRASS
MECHANICAL CHARACTERISTICS	M18x1
CONNECTION TYPE	H PLUG
WEIGHT	70 g



CODE : **I18000018** DESCRIPTION : **SI18-B5 NO H**

NORME DI INSTALLAZIONE

CONNECTION WITH H PLUG



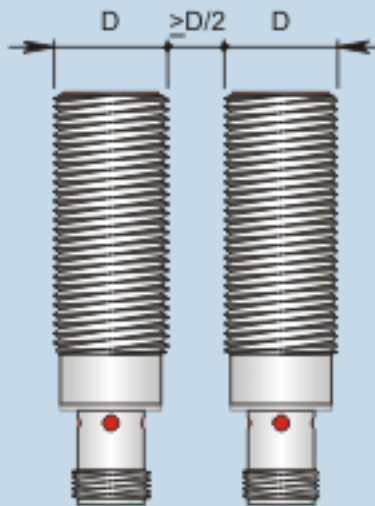
VIEW OF MALE CONNECTOR

4 = Black *
3 = Blue *
(Non polarized)

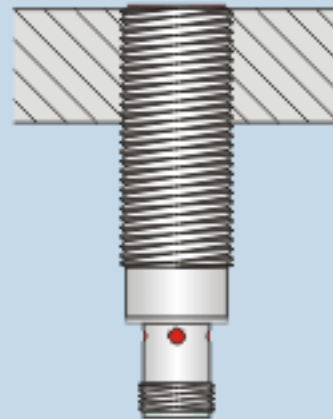
(*) The wire colour are referred to the connector with cable only

INSTRUCTIONS FOR CORRECT INSTALLATION

EMBEDDABLE



Side by side mounting



Flush mounting